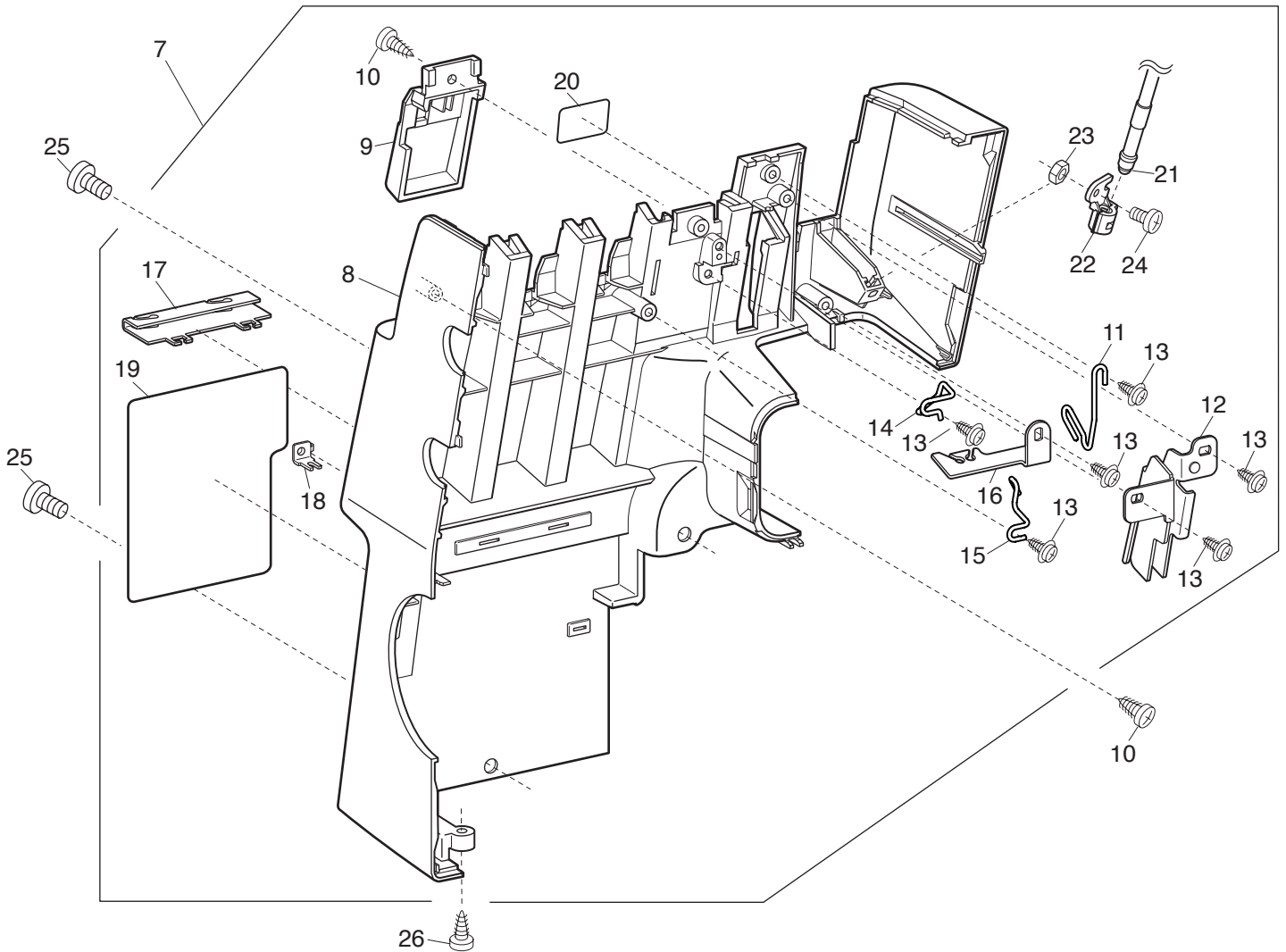
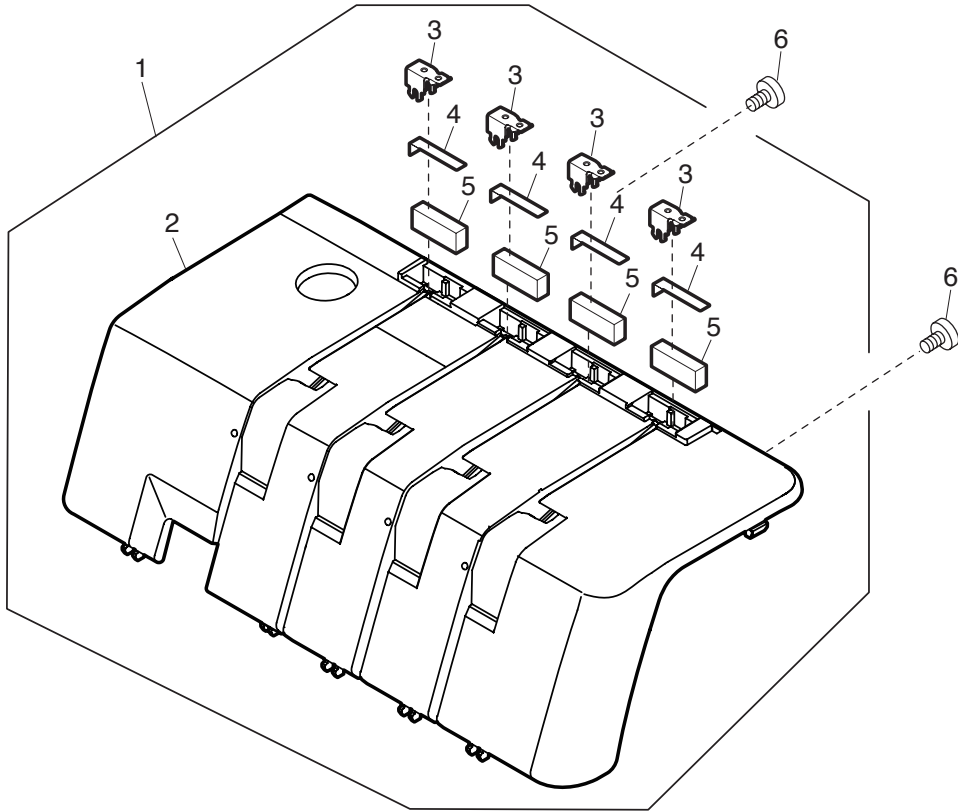


**SERVICE MANUAL
&
PARTS LIST**

MODEL: MYLOCK 454D

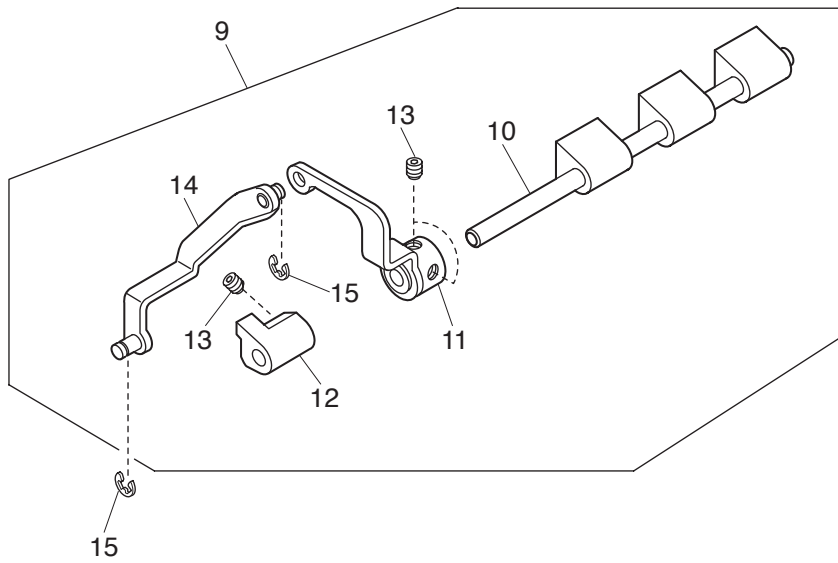
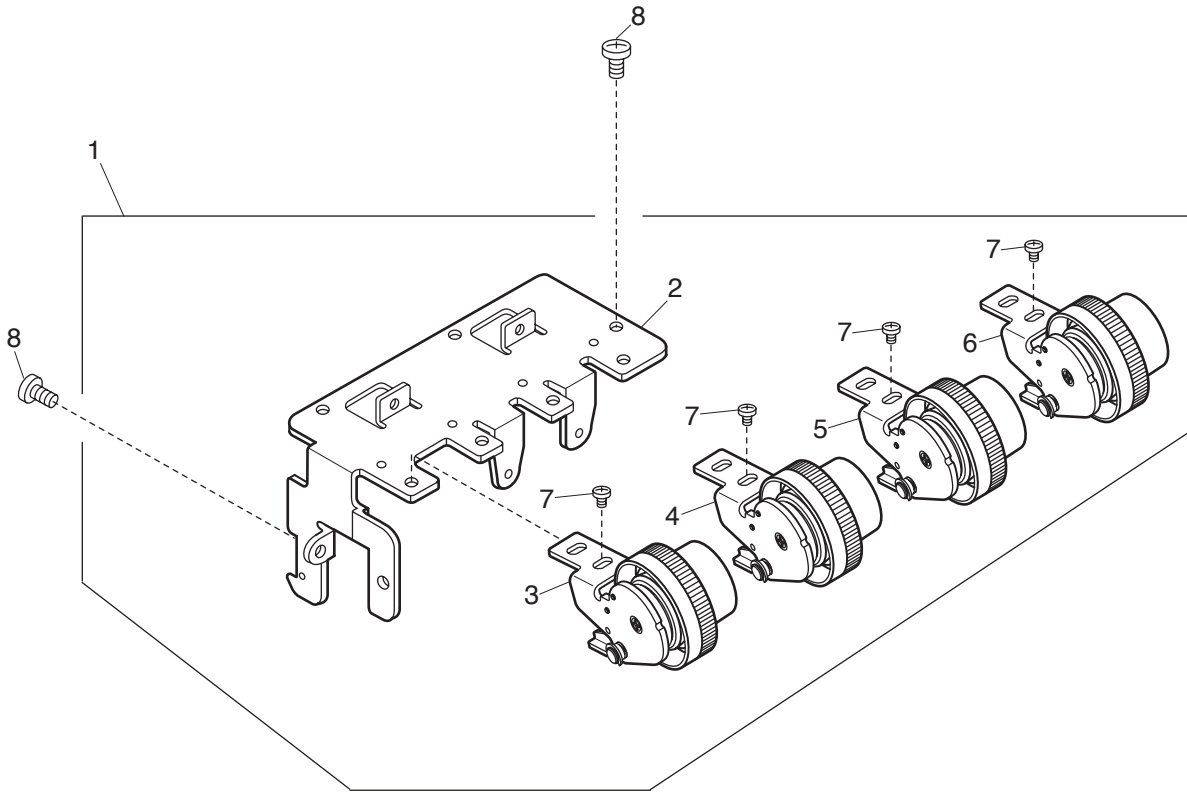
PARTS LIST



PARTS LIST

KEY NO.	PARTS NO.	DESCRIPTION
1	779609000	Top cover (unit)
2	779013A01	Top cover
3	797047103	Thread guide cover
4	797048012	Thread guide spring
5	797049002	Cusion
6	000101404	Setscrew 4x6
7	779605006	Front cover (unit)
8	779011A01	Front cover
9	779012000	Thread guide cover
10	000161206	Setscrew 3x10 (B)
11	788115002	Needle thread guide (L)
12	788059007	Take-up lever cover
13	000149301	Setscrew 3x8 (B)
14	788060104	Needle thread guide (R)
15	788107001	Needle thread guide
16	788063004	Needle thread guide plate
17	787132002	Looper thread guide
18	787131001	Upper looper thread guide
19	793006A01	Thread guide sticker
20	888261007	Sticker
21	508515404	LED (unit)
22	508143005	LED holder
23	000060857	Nut 3-1-5.5
24	000066705	Setscrew 3x8
25	000081016	Setscrew 4x8
26	000198305	Setscrew 4x10 (B)

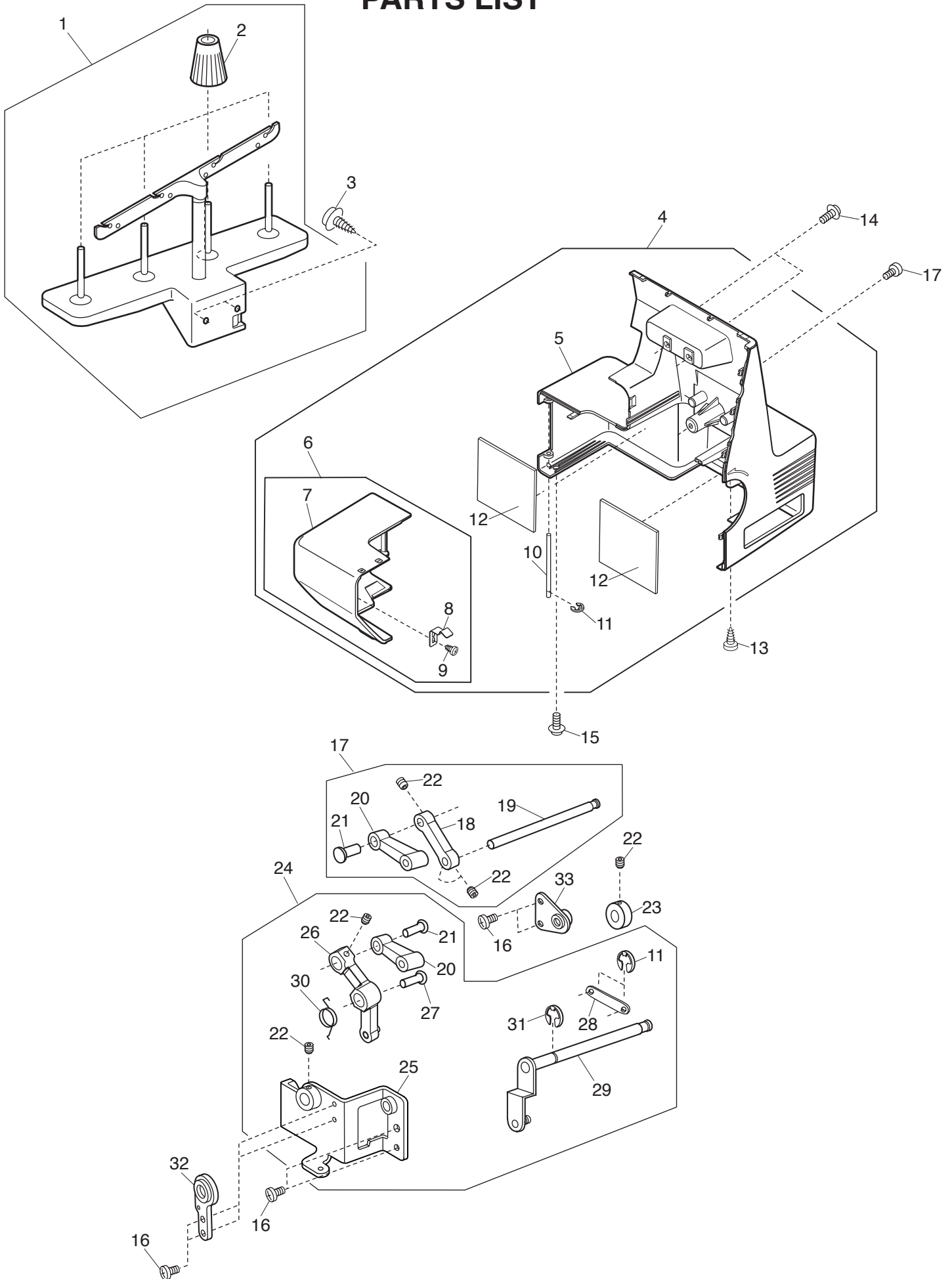
PARTS LIST



PARTS LIST

KEY NO.	PARTS NO.	DESCRIPTION
1	793602144	Thread tension set plate (unit)
2	793002001	Thread tension set plate
3	799519200	Left needle thread tension (unit)
4	788504161	Right needle thread tension (unit)
5	799505203	Upper looper thread tension (unit)
6	788506141	Lower looper thread tension (unit)
7	000101404	Setscrew 4x6
8	000081005	Setscrew 4x8
9	793611009	Thread tension release shaft (unit)
10	793127003	Thread tension release shaft
11	788055003	Thread tension release lever
12	788056004	Cam ring
13	000111201	Hexagonal socket screw 4x4
14	788089006	Thread tension release link
15	000002105	Snap ring E-3

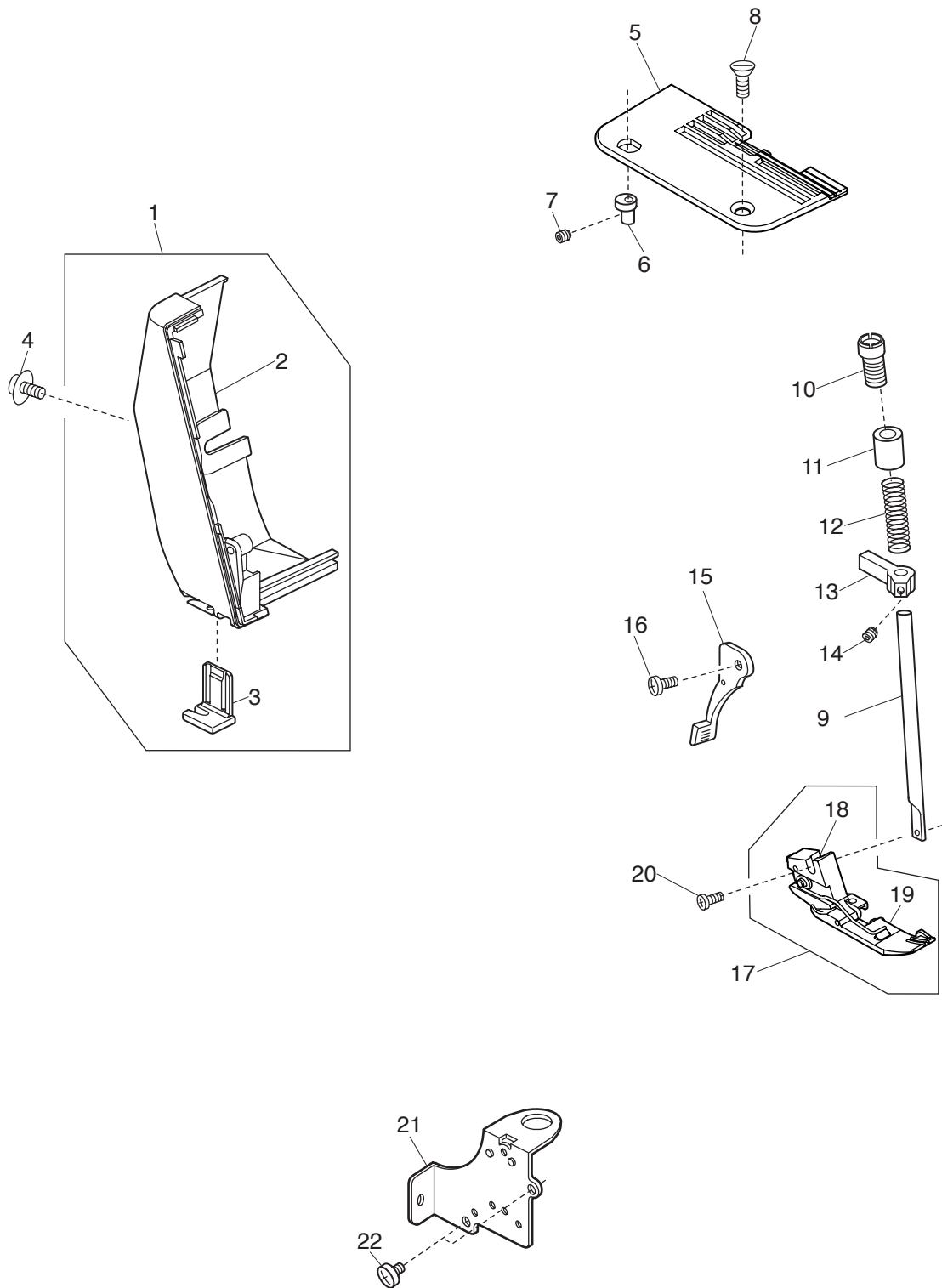
PARTS LIST



PARTS LIST

KEY NO.	PARTS NO.	DESCRIPTION
1	789606008	Spool stand (unit)
2	784223105	Spool holder
3	000198604	Setscrew 4x14 (B)
4	779606100	Rear cover (unit)
5	779014A01	Rear cover
6	779610107	Side cover (unit)
7	779015003	Side cover
8	787163002	Side cover spring
9	000120214	Setscrew 3x8 (B)
10	792024109	Side cover shaft
11	000002105	Snap ring E-3
12	794110006	Rubber sheet
13	000198305	Setscrew 4x10 (B)
14	000115618	Setscrew TP 4x8
15	000115607	Setscrew TP 4x8
16	000081005	Setscrew 4x8
17	787637002	Main feed connecting arm (unit)
18	787197005	Main feed connecting arm 2
19	787198006	Main feed connecting shaft
20	787067005	Feed link
21	787195003	Feed connecting pin
22	000111201	Hexagonal socket screw 4x4
23	650136009	Ring
24	792611202	Feed adjusting base (unit)
25	793119002	Feed adjusting base
26	787194002	Sub feed connecting arm 3
27	735071104	Connecting arm pin
28	787081005	Feed connecting arm link
29	792034401	Sub feed connecting arm shaft
30	798059008	Spring
31	000001609	Snap ring E-5
32	793118001	Main shaft set plate
33	787077008	Connecting arm support

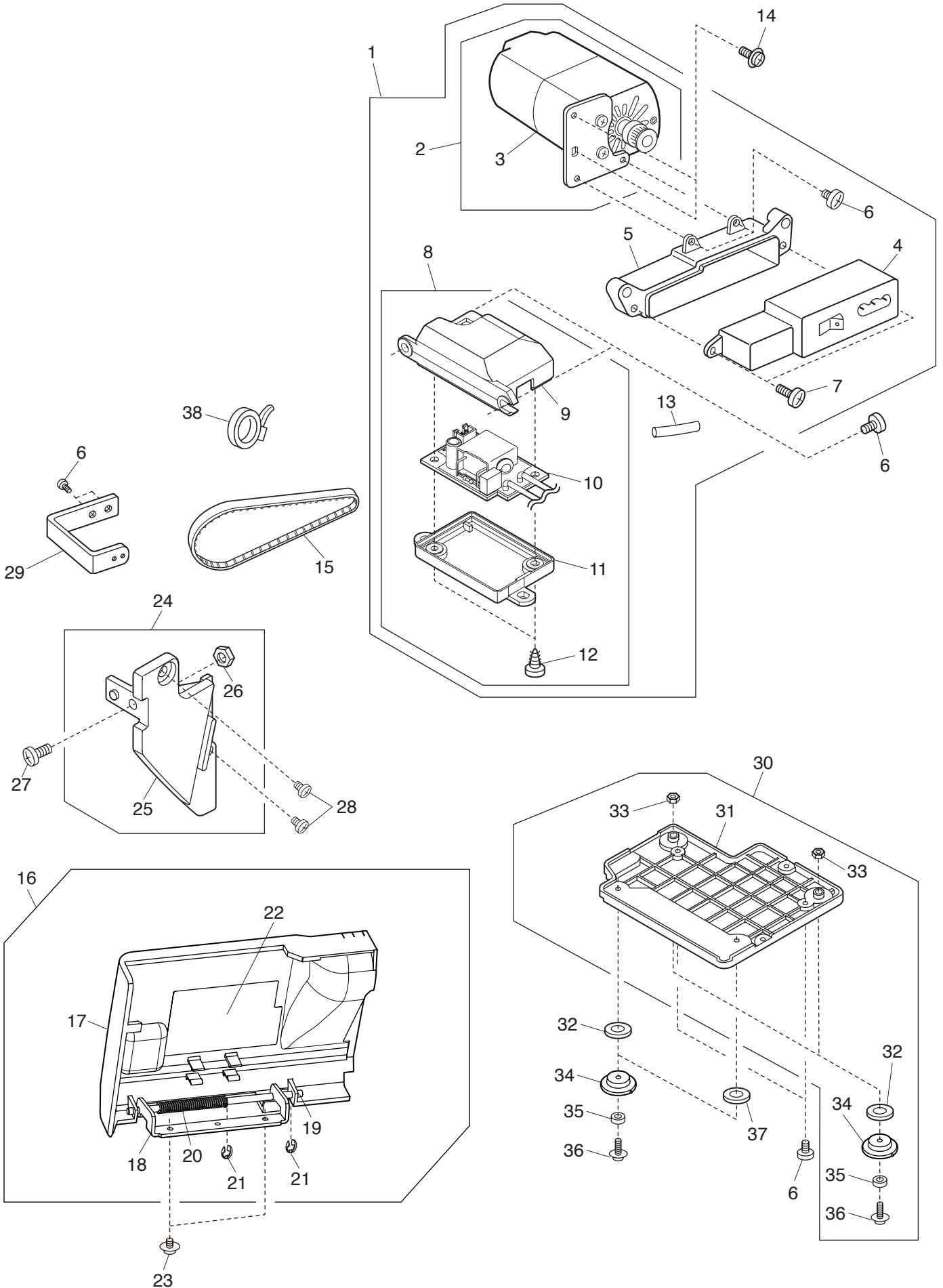
PARTS LIST



PARTS LIST

KEY NO.	PARTS NO.	DESCRIPTION
1	779602106	Face plate (unit)
2	779006001	Face plate
3	840602006	Thread cutter (unit)
4	000115700	Setscrew TP 4x10
5	779601002	Needle plate (unit)
6	789100007	Eccentric pin
7	000111902	Hexagonal socket screw 3x4
8	681009101	Plain screw
9	787019002	Presser bar
10	777013108	Presser adjusting screw
11	777002001	Presser bar bushing (upper)
12	779005000	Presser bar spring
13	789117007	Presser bar bracket
14	000111304	Hexagonal socket screw 5x5
15	650032015	Presser lifter
16	810431009	Hinge screw
17	779501001	Presser foot (unit)
18	787541101	Foot holder (unit)
19	779502002	Presser foot (lower) (unit)
20	660106001	Setscrew
21	789105002	Lamp set plate
22	000101404	Setscrew 4x6

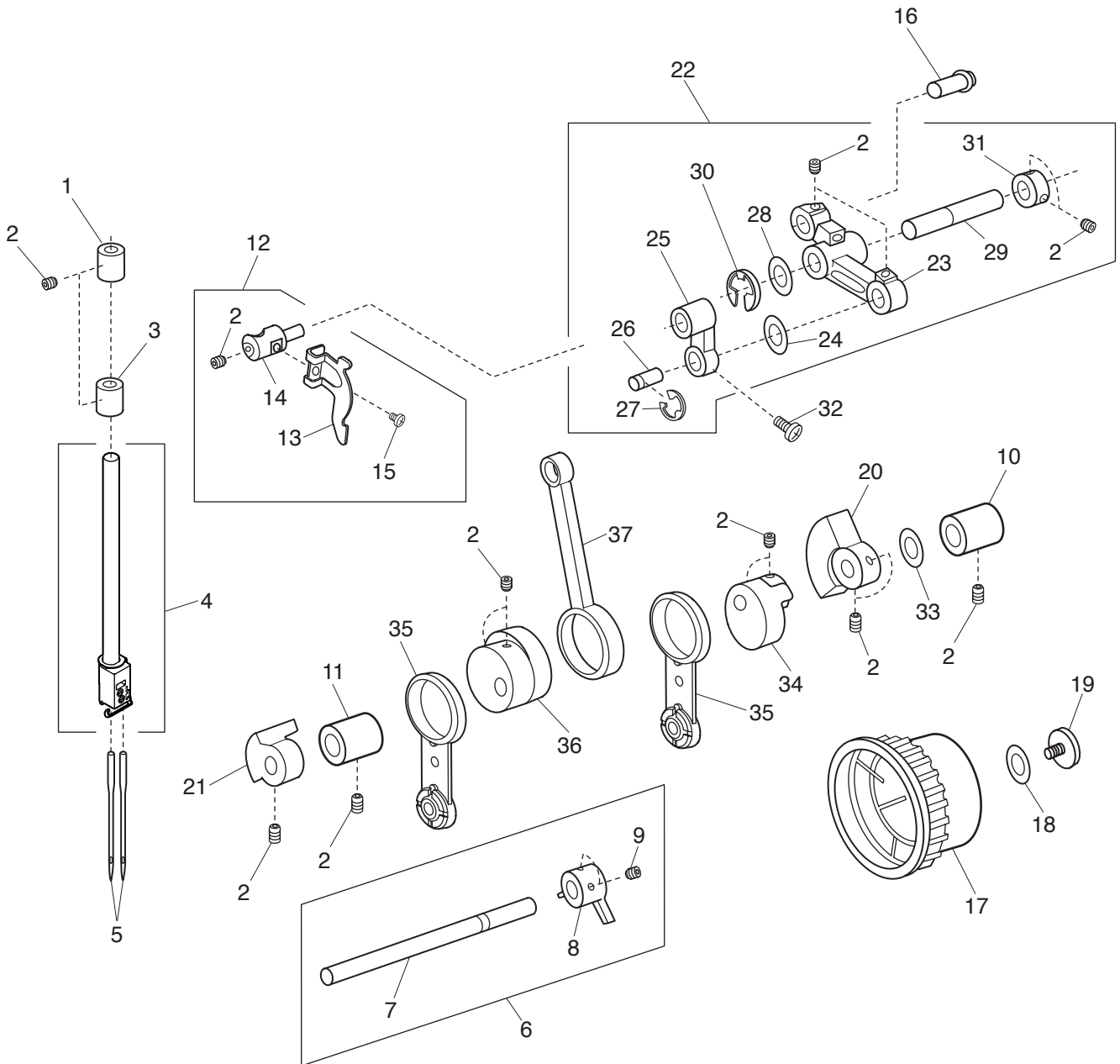
PARTS LIST



PARTS LIST

KEY NO.	PARTS NO.	DESCRIPTION
1	791626263	Machine socket (whole unit) (UK) (Australia)
	791626274	Machine socket (whole unit) (Continental Europe)
2	023271430	Motor (unit) (UK) (Australia)
	792618704	Motor (unit) (Continental Europe)
3	793505102	Motor (UK) (Australia)
	793503100	Motor (Continental Europe)
4	777502109	Machine socket (unit)
5	784128028	Machine socket cover
6	000081005	Setscrew 4x8
7	000121905	Setscrew 4x12 (B)
8	795651018	Printed circuit board C case (unit)
9	795181012	Printed circuit board C case
10	508512308	Printed circuit board C (unit)
11	795182002	Printed circuit board C case cover
12	000120203	Setscrew 3x8 (B)
13	652102909	PVC tube
14	000115504	Setscrew TP 5x10
15	793125001	Timing belt
16	779607101	Looper cover (unit)
17	779016A01	Looper cover
18	793009008	Looper cover supporter
19	792027009	Looper cover shaft
20	792028000	Looper cover spring
21	000002105	Snap ring E-3
22	789028000	Sticker
23	000115205	Setscrew TP 4x6
24	779608009	Looper cover guide (unit)
25	779017005	Looper cover guide
26	000062402	Nut 4-2-7
27	000103510	Setscrew 4x10
28	000078320	Setscrew 3x6
29	787153009	Lower cover guide supporter
30	789610108	Base plate (unit)
31	789034009	Base plate
32	787204006	Washer (2)
33	000061205	Nut 4-3-7
34	779018017	Rubber cushion
35	000141406	Bushing
36	000114101	Setscrew TP 4x14
37	785260004	Washer
38	000053008	Cord binder

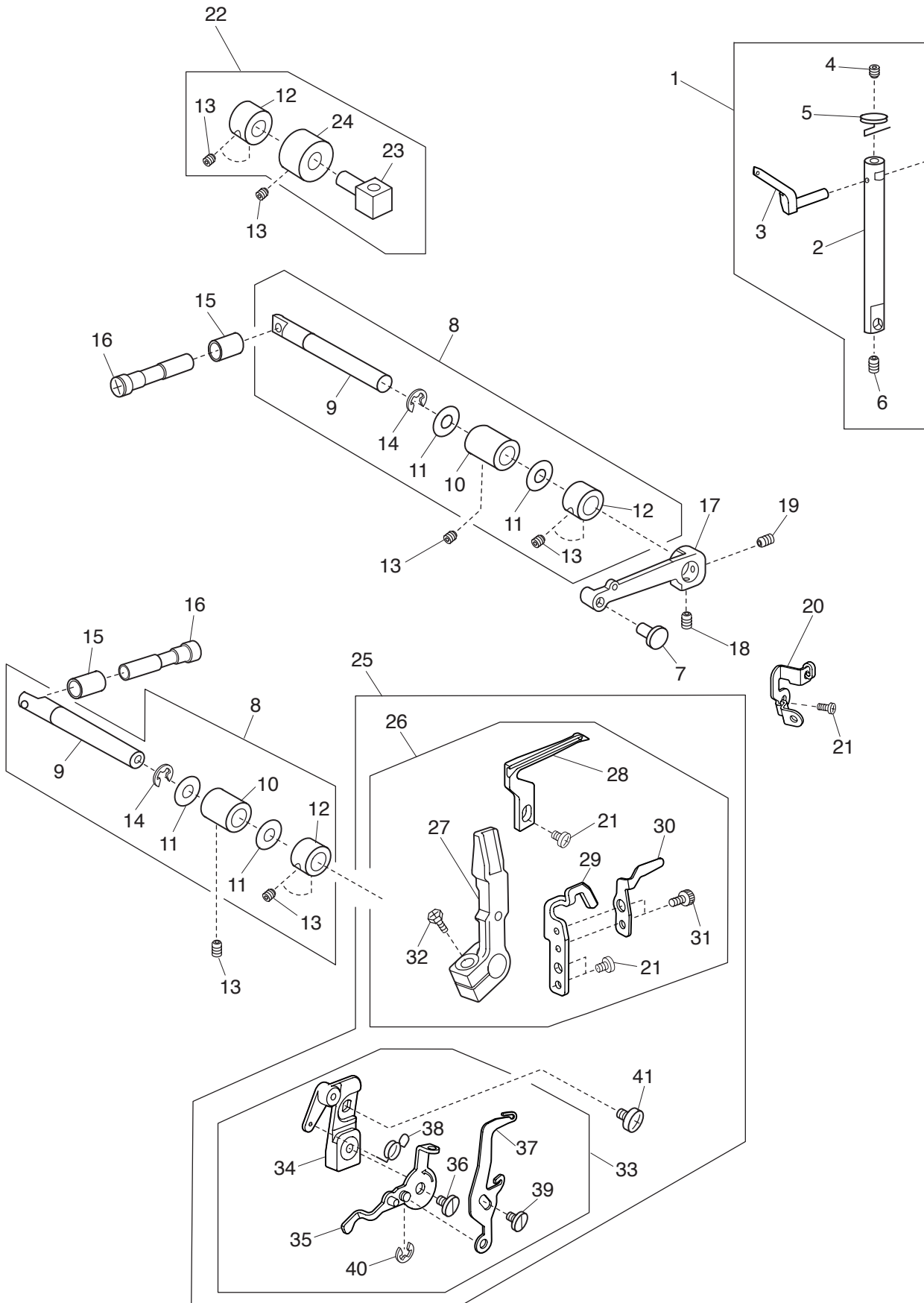
PARTS LIST



PARTS LIST

KEY NO.	PARTS NO.	DESCRIPTION
1	784027004	Needle bar upper bushing
2	000111201	Hexagonal socket screw 4x4
3	784028005	Needle bar lower bushing
4	792601302	Needle bar (unit)
5	784157015	Needle
6	792619015	Main shaft (unit)
7	789001007	Main shaft
8	792041021	Balance weight
9	000111304	Hexagonal socket screw 5x5
10	784009000	Main shaft rear bushing
11	673062004	Upper shaft rear bushing
12	788629004	Take-up lever (unit)
13	788004007	Take-up lever
14	784024001	Needle bar bracket
15	000078320	Setscrew 3x6
16	793606001	Needle bar balancer pin (unit)
17	793102002	Handwheel
18	556047007	Washer
19	618070004	Setscrew
20	787176008	Balance weight (right)
21	792037002	Balance weight (left)
22	789612007	Needle bar crank (unit)
23	789104001	Needle bar crank
24	000039905	Washer
25	789007003	Needle bar link
26	784022009	Link pin
27	000001609	Snap ring E-5
28	000038502	Washer
29	789008004	Needle bar crank shaft
30	000002909	Snap ring E-7
31	624245001	Ring
32	000103509	Setscrew 4x10
33	000038605	Washer
34	787004107	Upper looper cam
35	792951001	Looper cam ring (unit)
36	793121007	Needle bar cam
37	793120006	Needle bar crank rod

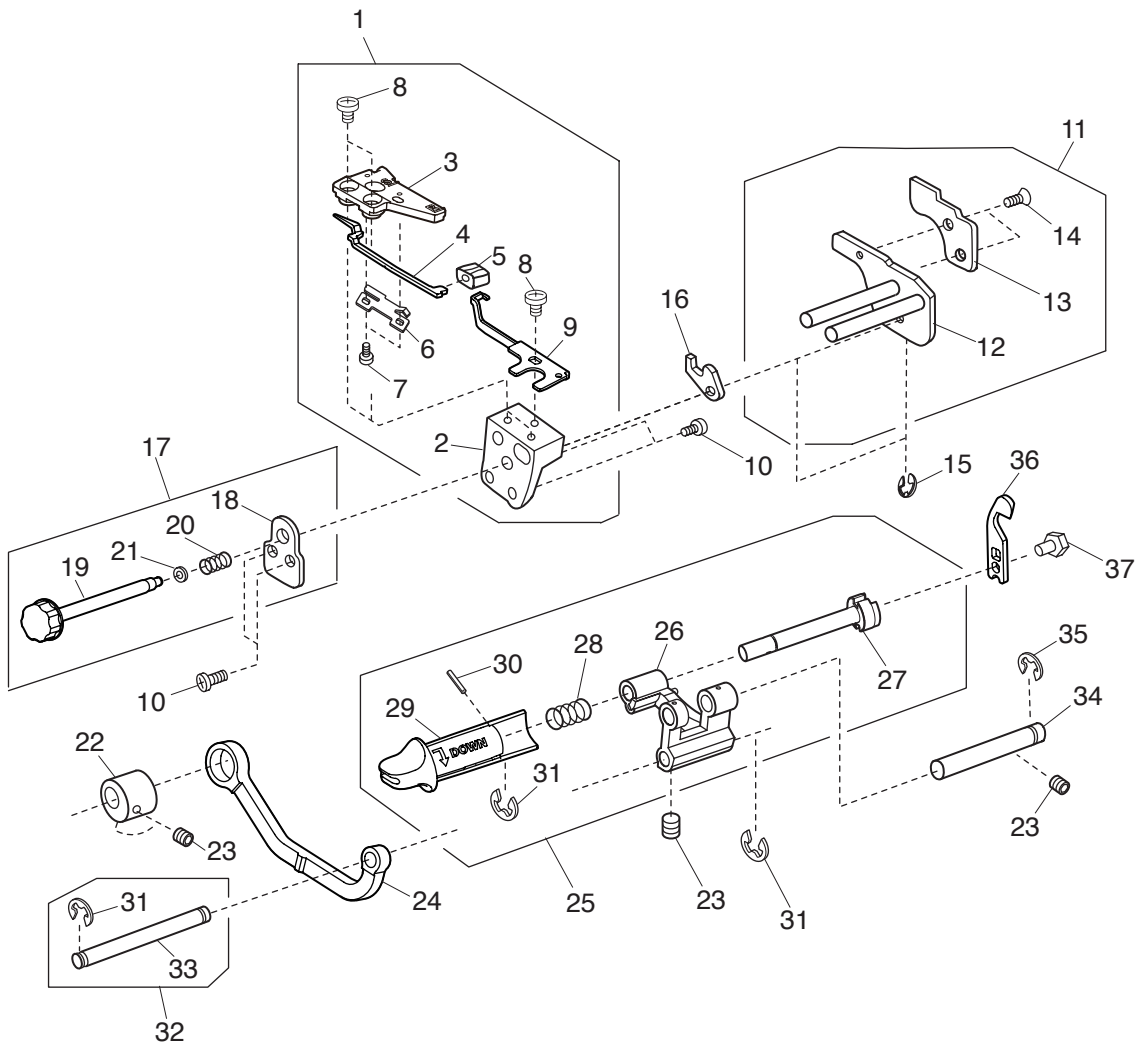
PARTS LIST



PARTS LIST

KEY NO.	PARTS NO.	DESCRIPTION
1	792629007	Upper looper shaft (unit)
2	787111005	Upper looper shaft
3	792055006	Upper looper
4	000112501	Hexagonal socket screw 4x4
5	784077009	Upper looper thread guide (3)
6	000177205	Hexagonal socket screw 3x6
7	789116006	Upper looper pin
8	792633015	Upper looper crank shaft (unit)
9	787105017	Upper looper crank shaft
10	787104005	Bushing
11	000038502	Washer
12	792048006	Ring
13	000111201	Hexagonal socket screw 4x4
14	000002806	Snap ring E-6
15	787107101	Crank spacer
16	787108010	Crank setscrew
17	789112002	Upper looper waving arm
18	000111304	Hexagonal socket screw 5x5
19	000110107	Hexagonal socket screw 5x5 (WP)
20	788038000	Looper thread guide (L2)
21	000078320	Setscrew 3x6
22	792614009	Upper looper shaft guide (unit)
23	792038003	Upper looper shaft guide
24	792039004	Bushing
25	779611005	Lower looper (whole unit)
26	792628017	Lower looper (unit)
27	785024107	Lower looper base (2)
28	792056007	Lower looper
29	788042007	Rear needle guard
30	790008008	Front needle guard
31	000099006	Hexagonal socket bolt 3x4
32	000138008	Hexagonal bolt 4x16
33	790605001	Thread guide supporter (unit)
34	790009009	Thread guide supporter
35	790010106	Looper thread guide (2)
36	788047002	Hinge screw (1)
37	790011107	Looper thread guide (3)
38	790012005	Lower looper spring
39	788048003	Hinge screw (2)
40	000002105	Snap ring E-3
41	000101415	Setscrew 4x6

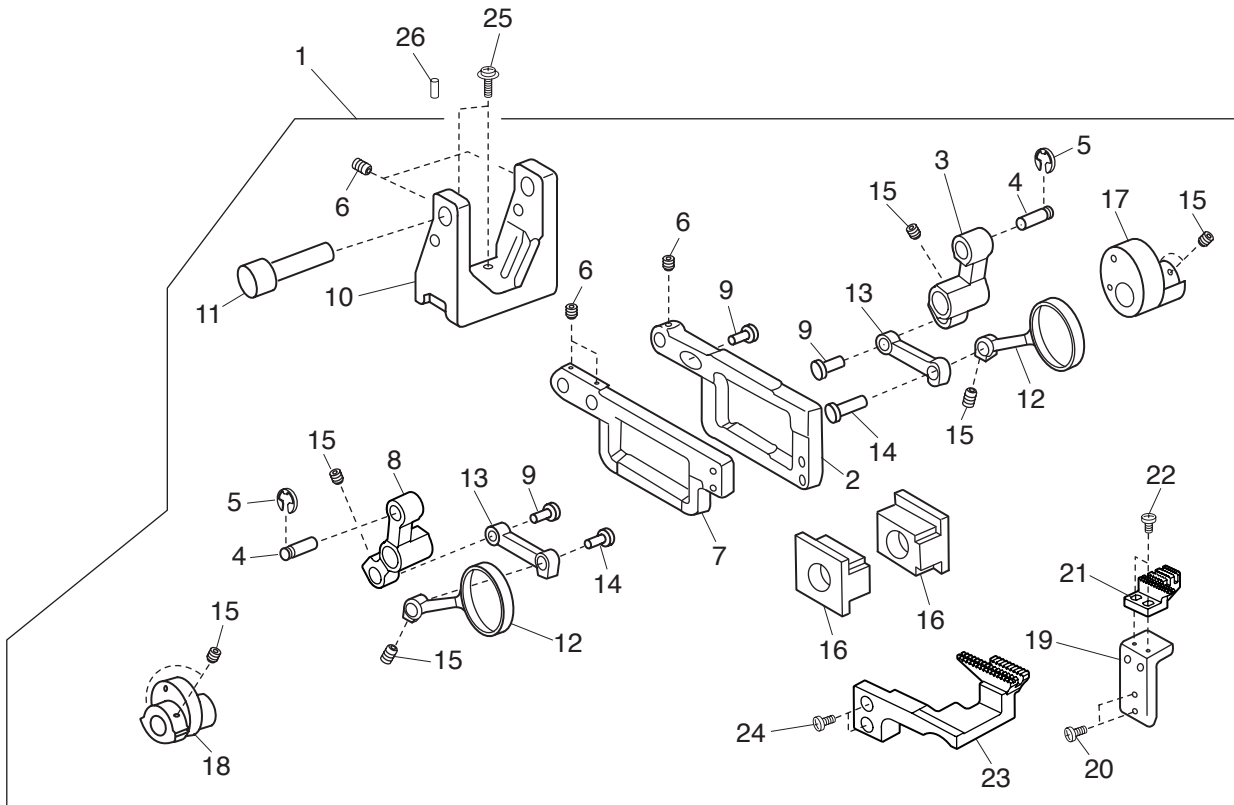
PARTS LIST



PARTS LIST

KEY NO.	PARTS NO.	DESCRIPTION
1	792613101	Chaining finger (unit)
2	788015001	Chaining finger bracket
3	789106014	Chaining finger set plate
4	779010008	Chaining finger
5	787041003	Chaining finger switch knob
6	788018004	Chaining finger spring
7	000074603	Setscrew 2x4-2
8	000078320	Setscrew 3x6
9	788019005	Fixed needle guard
10	000081005	Setscrew 4x8
11	792603005	Lower knife (unit)
12	792005001	Lower knife set plate
13	788013009	Lower knife
14	000102221	Setscrew 4x6
15	000001207	Snap ring E-2.5
16	788021000	Guide shaft nut
17	792622103	Lower knife guide shaft (unit)
18	787046008	Guide plate
19	779009004	Lower knife guide shaft
20	787048000	Spring
21	000036500	Washer
22	788008001	Upper knife drive cam
23	000111201	Hexagonal socket screw 4x4
24	789009005	Upper knife connecting rod
25	793613506	Upper knife drive arm (unit)
26	793105407	Upper knife drive arm
27	793510007	Upper knife supporter (unit)
28	779008003	Spring
29	779007002	Upper knife knob
30	000022802	Spring pin 2x12
31	000001609	Snap ring E-5
32	793615003	Link pin (unit)
33	793129005	Link pin
34	787022101	Upper knife drive shaft
35	000002909	Snap ring E-7
36	788127007	Upper knife
37	624303008	Hexagonal bolt 4x6

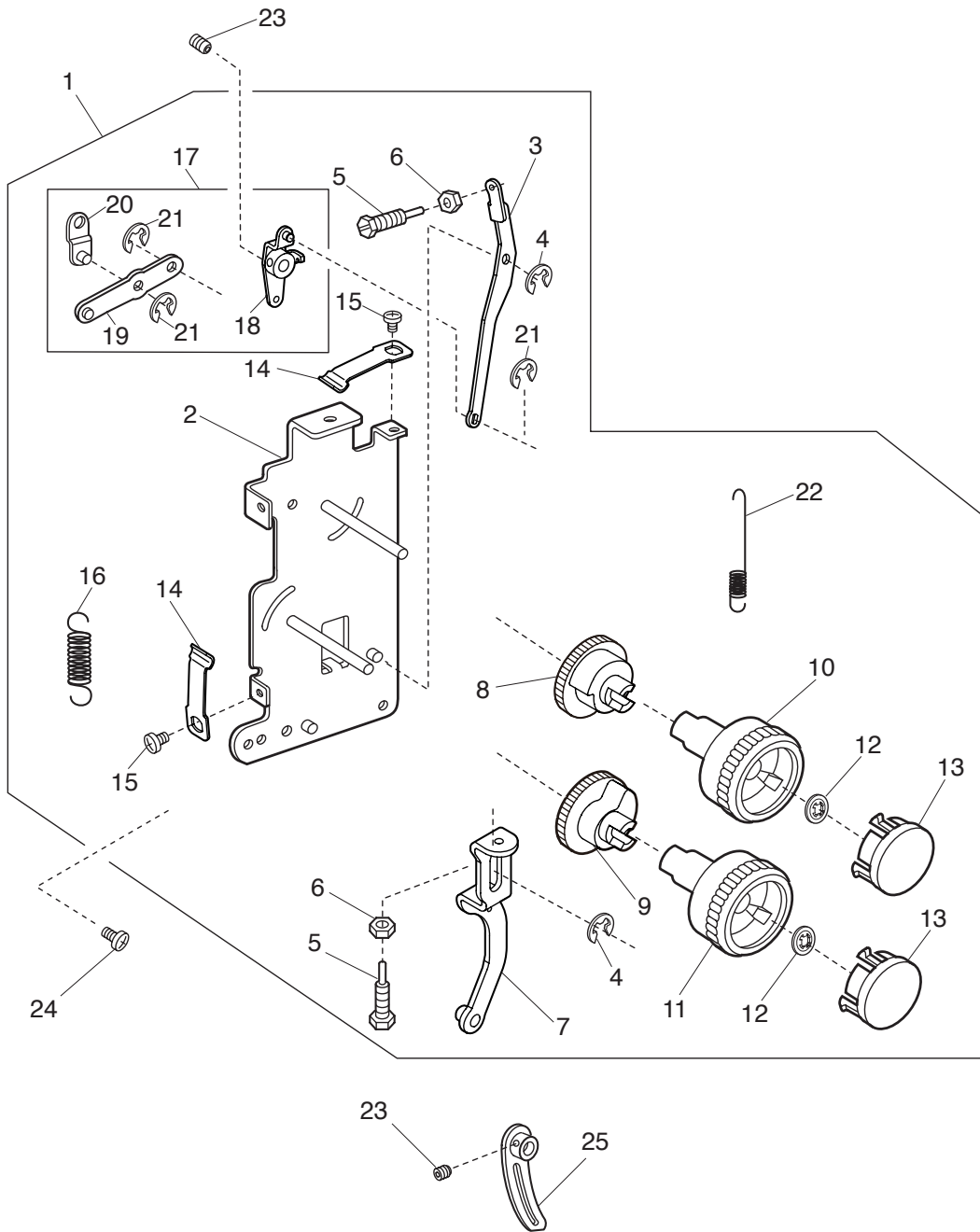
PARTS LIST



PARTS LIST

KEY NO.	PARTS NO.	DESCRIPTION
1	792604109	Feed base (unit)
2	788022001	Main feed bar
3	787054009	Main feed bar drive arm
4	787224002	Pin
5	000002507	Snap ring E-4
6	000111902	Hexagonal socket screw 3x4
7	788024003	Sub feed bar
8	787212007	Sub feed drive arm
9	787059004	Pin
10	787305008	Feed bar base
11	787306009	Feed driving arm pin
12	787065003	Feed bar link
13	787066004	Feed rocking link
14	787068006	Pin
15	000111201	Hexagonal socket screw 4x4
16	792008004	Block
17	787072003	Main feed drive cam
18	787073004	Sub feed drive cam
19	788023002	Main feed dog bracket
20	000068811	Setscrew 3.5x10
21	779003008	Main feed dog
22	000066705	Setscrew 3x8
23	779004009	Sub feed dog
24	000104201	Setscrew 3.5x10
25	000201405	Setscrew TP 4x16
26	000005304	Spring pin 3x8

PARTS LIST

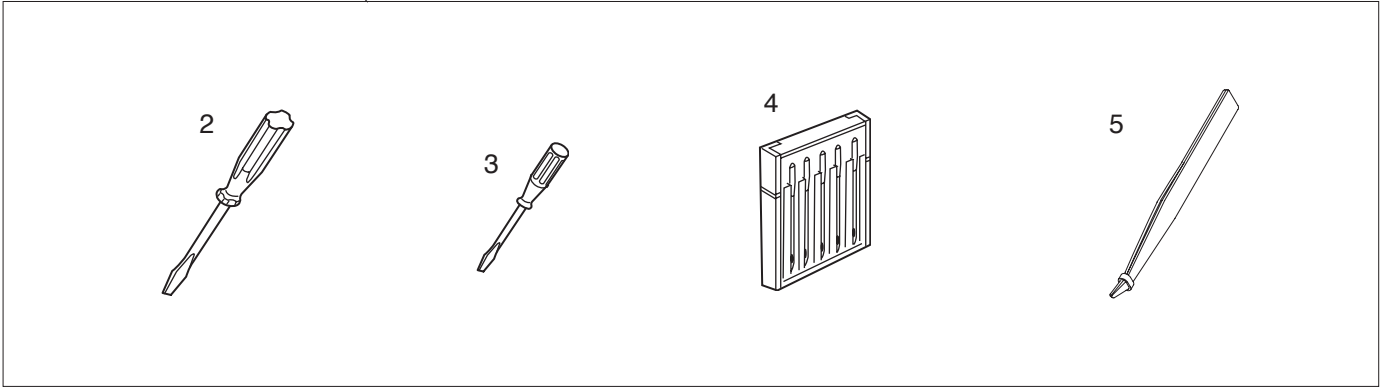


PARTS LIST

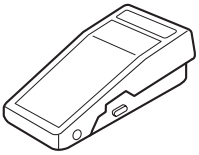
KEY NO.	PARTS NO.	DESCRIPTION
1	792606271	Feed adjuster (unit)
2	792012001	Base plate
3	792013002	Feed rod
4	000001609	Snap ring E-5
5	785224006	Adjustable screw
6	000160102	Adjustable lock nut 4
7	792014003	Differential rod
8	792015004	Stitch length adjusting cam
9	788036008	Differential adjusting cam
10	792016F03	Stitch length dial
11	792016F04	Differential dial
12	000013800	Snap ring CS-6
13	787262301	Stitch length dial cap
14	787263003	Index spring
15	000081119	Setscrew 4x6
16	787259006	Spring
17	792605007	Main feed connecting arm (unit)
18	792040008	Main feed connecting arm
19	787266006	Feed connecting plate
20	788031003	Differential feed transfer arm
21	000002105	Snap ring E-3
22	792011000	Spring
23	000111201	Hexagonal socket screw 4x4
24	000081005	Setscrew 4x8
25	788032107	Sub feed connecting arm

PARTS LIST

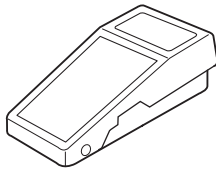
1



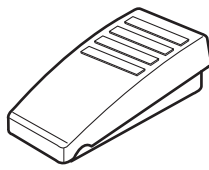
6 (Australia)



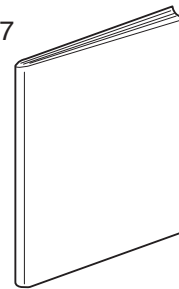
6 (U.K.)



6 (Continental Europe)



7



PARTS LIST

KEY NO.	PARTS NO.	DESCRIPTION
1	793870101	Accessory set
2	784810002	Screwdriver (large)
3	792030005	Screwdriver (small)
4	784860100	Needle case (unit)
5	624801001	Tweezers
6	C-2065	Foot control (Australia)
	C-2085-1	Foot control (U.K.)
	C-2060	Foot control (Continental Europe)
7	779800003	Instruction book (English)
	779800047	Instruction book (German/Dutch/French)