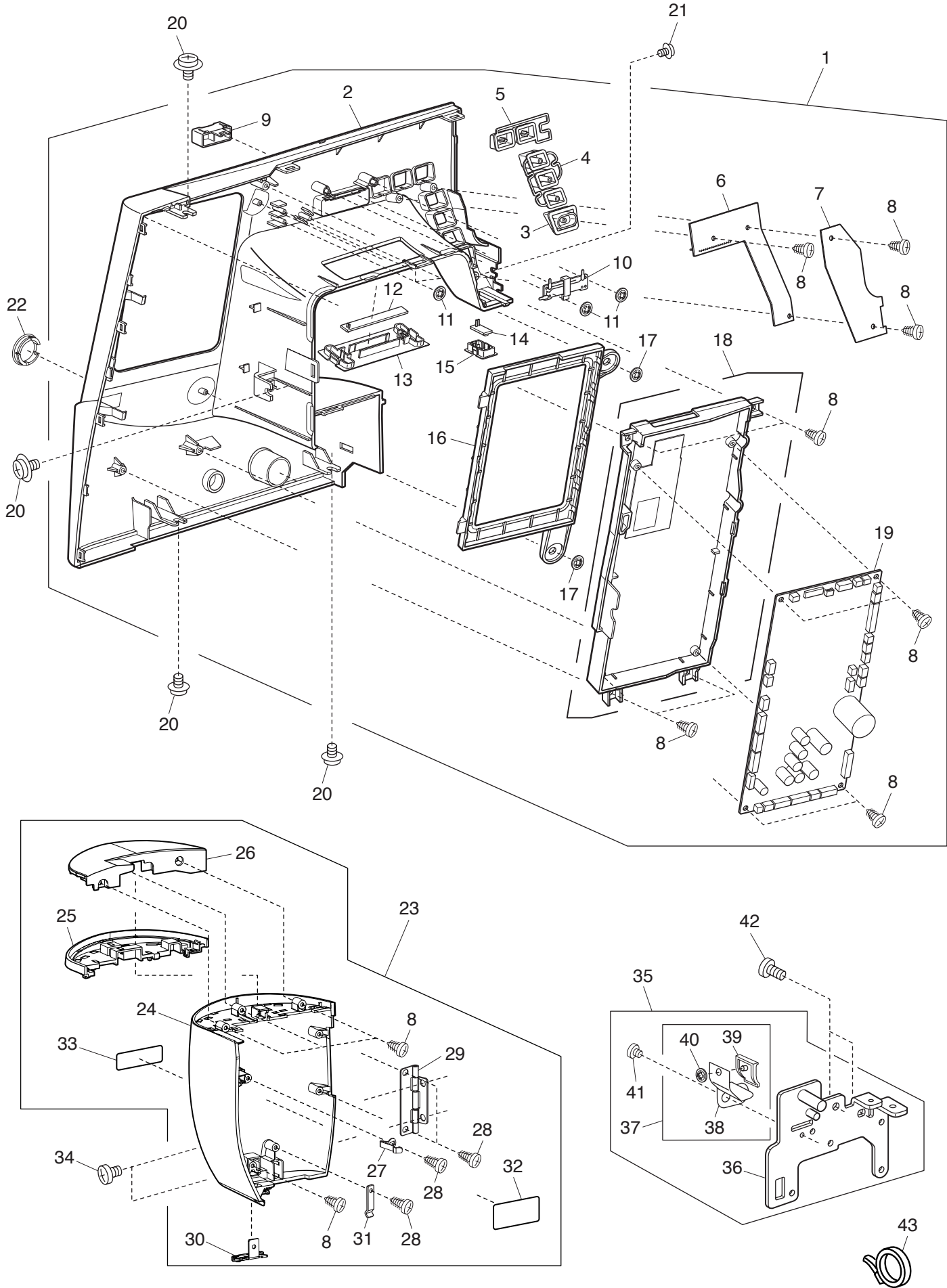


**SERVICE MANUAL
&
PARTS LIST**

MODEL: SKYLINE S7

Anniversary Edition

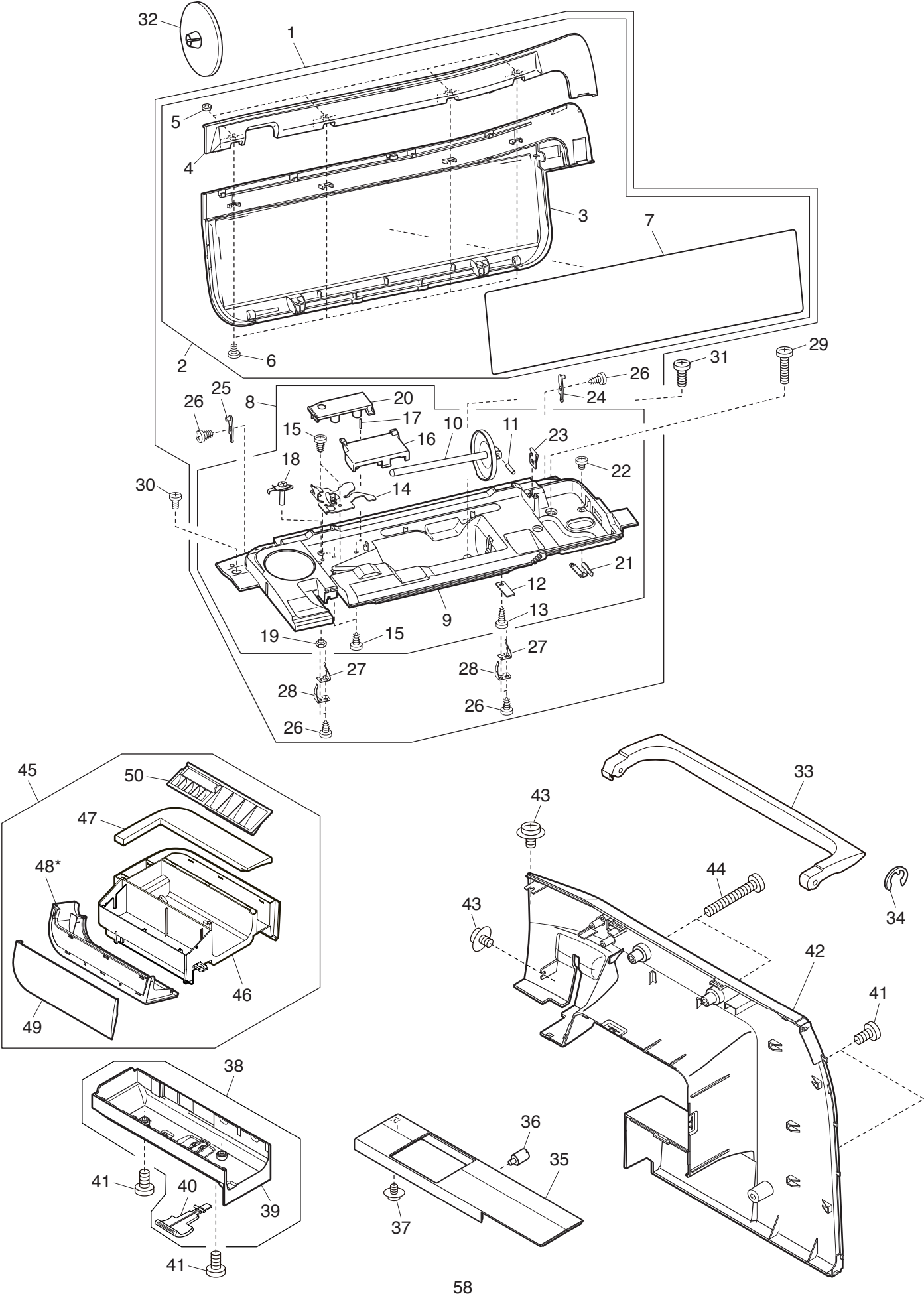
PARTS LIST



PARTS LIST

KEY NO.	PARTS NO.	DESCRIPTION
1	863676002	Front cover (unit) (U.S.A.) (Canada)
	863676105	Front cover (unit) (Australia) (Continental Europe)
2	863181A01	Front cover
3	863017A01	Start/stop button
4	863018G01	Function button 1
5	863182A01	Function button 2
6	863539002	Printed circuit board F (unit)
7	863130009	Light shielding sheet
8	000120203	Setscrew 3x8 (B)
9	863020016	Speed control slider
10	653507082	Slide volume (unit)
11	000014306	Snap ring CS-3
12	858502310	Printed circuit board L1 (unit)
13	858106000	LED cover 2
14	859525910	Printed circuit board L2 (unit)
15	860167006	Lamp cover 2
16	863183007	Front cover ornamental panel
17	000014007	Snap ring CS-4
18	864426709	LCD case (unit)
19	863420032	Printed circuit board A (U.S.A.) (Canada)
	863420021	Printed circuit board A (Australia) (Continental Europe)
20	000115205	Setscrew TP 4x6
21	000114710	Setscrew TP 3x6
22	859216007	Cap
23	863671007	Face plate (unit) (U.S.A.) (Canada)
	863671100	Face plate (unit) (Australia) (Continental Europe)
24	863175A01	Face plate
25	863176007	Face plate ornamental panel 1
26	863177008	Face plate ornamental panel 2
27	850013005	Face plate spring
28	000161206	Setscrew 3x10 (B)
29	843545010	Face plate hinge (unit)
30	832508017	Thread cutter (unit)
31	859233000	Spring
32	100045000	Caution sticker (UL) (U.S.A.) (Canada)
33	100517008	Caution sticker (CSA) (U.S.A.) (Canada)
34	000081119	Setscrew 4x6
35	863672008	Carrying handle supporter (front) (unit)
36	863178009	Carrying handle supporter (front)
37	861613005	Spring (unit)
38	861073007	Spring
39	861074008	Spring cap
40	000017701	Snap ring CS-3.5
41	000101116	Setscrew 3x4
42	000081005	Setscrew 4x8
43	000053008	Cord binder

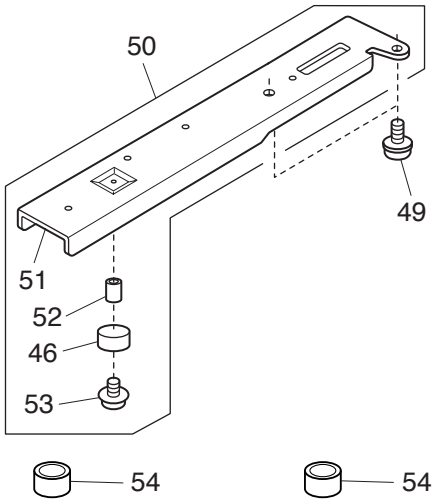
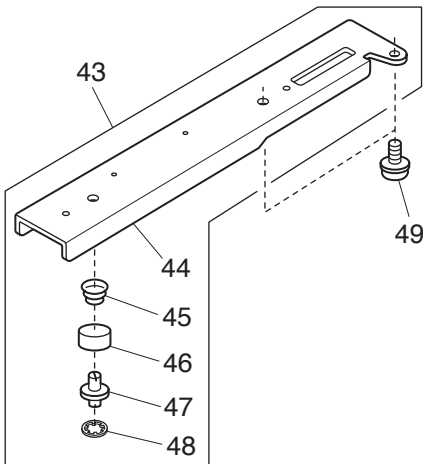
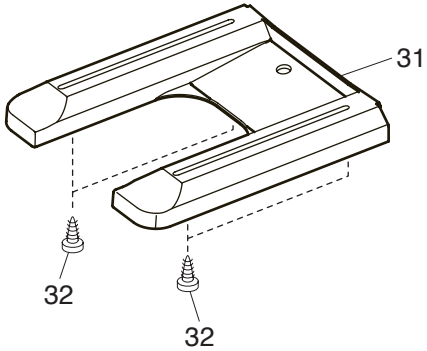
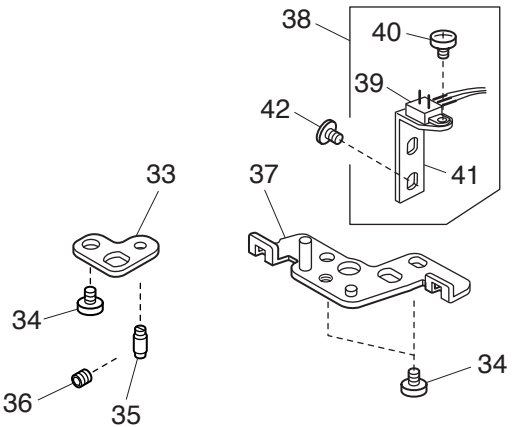
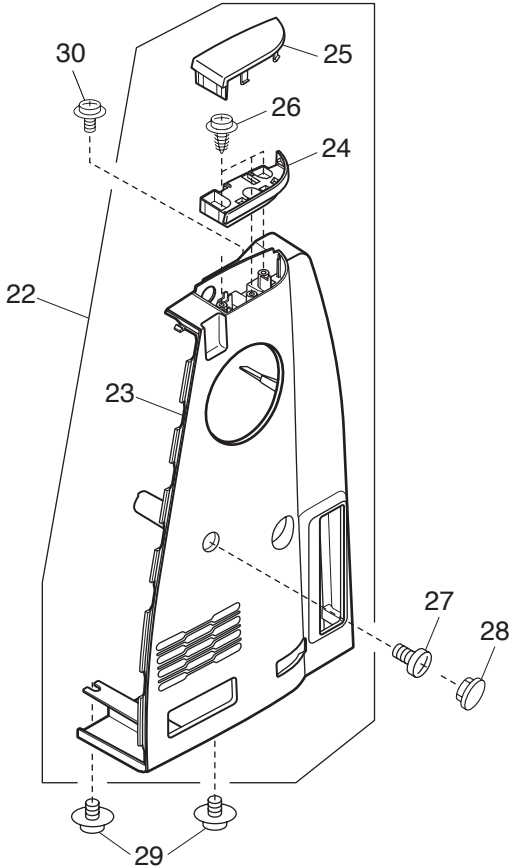
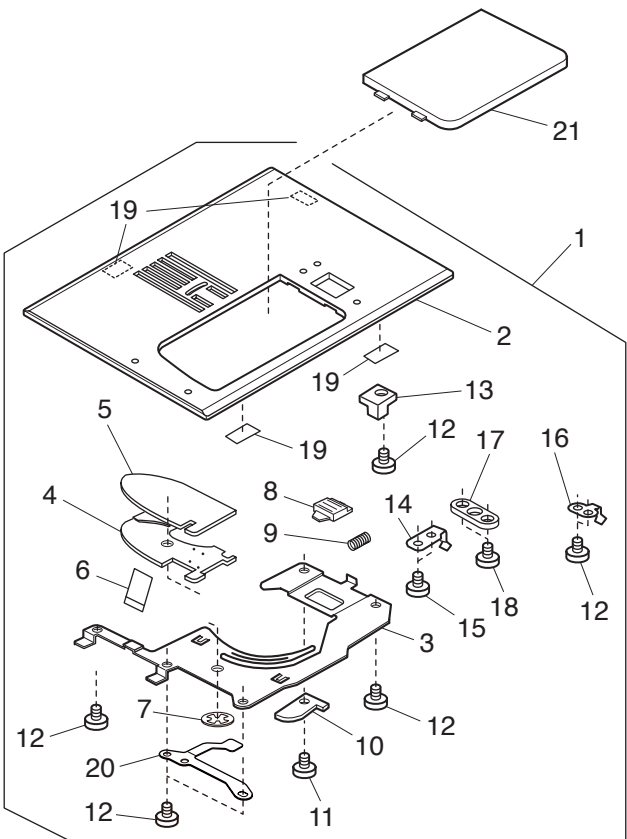
PARTS LIST



PARTS LIST

KEY NO.	PARTS NO.	DESCRIPTION
1	863668001	Top cover (whole unit)
2	863669002	Top cover (unit)
3	863168006	Top cover
4	863169007	Top cover ornamental panel
5	000061803	Nut 3-3-5.5
6	000103808	Setscrew 3x5
7	863170A01	Quick reference chart
8	863670006	Top cover body (unit)
9	863171105	Top cover body
10	859052003	Spool pin
11	822017002	Spool pin shaft
12	822018003	Spool pin spring
13	000107204	Setscrew 3x12 (B)
14	859541004	Thread guide (unit)
15	000107307	Setscrew 3x8 (B)
16	859648002	Thread guide cover (unit)
17	000020202	Spring pin 2x10 (K)
18	862535016	Bobbin winder thread guide (unit)
19	000160102	Adjustable lock nut 4
20	830011001	Bobbin winder thread guide cover
21	861099009	Bobbin winder stopper
22	000101127	Setscrew 3x4
23	830505007	Thread cutter (unit)
24	858023002	Top cover hinge (right)
25	858023105	Top cover hinge (left)
26	000161206	Setscrew 3x10 (B)
27	863172003	Top cover hinge spring (upper)
28	863173004	Top cover hinge spring (lower)
29	000104119	Setscrew 4x20
30	000078319	Setscrew 3x6
31	000170507	Setscrew 4x12
32	822020503	Spool holder (large)
33	863174005	Carrying handle
34	000001609	Snap ring E-5
35	861007103	Free arm cover
36	858165100	Threaded pin
37	000114710	Setscrew TP 3x6
38	861604003	Bed cover (unit)
39	861008001	Bed cover
40	859040008	Needle plate release lever
41	000081005	Setscrew 4x8
42	863167A01	Rear cover
43	000115205	Setscrew TP 4x6
44	000103222	Setscrew 4x30
45	863613B01	Extension table (unit)
46	863003002	Extension table
47	863004014	Extension table cover
48*	—	Extension table lid (not supplied individually)
49	863006016	Extension table lid cover
50	861012008	Foot tray

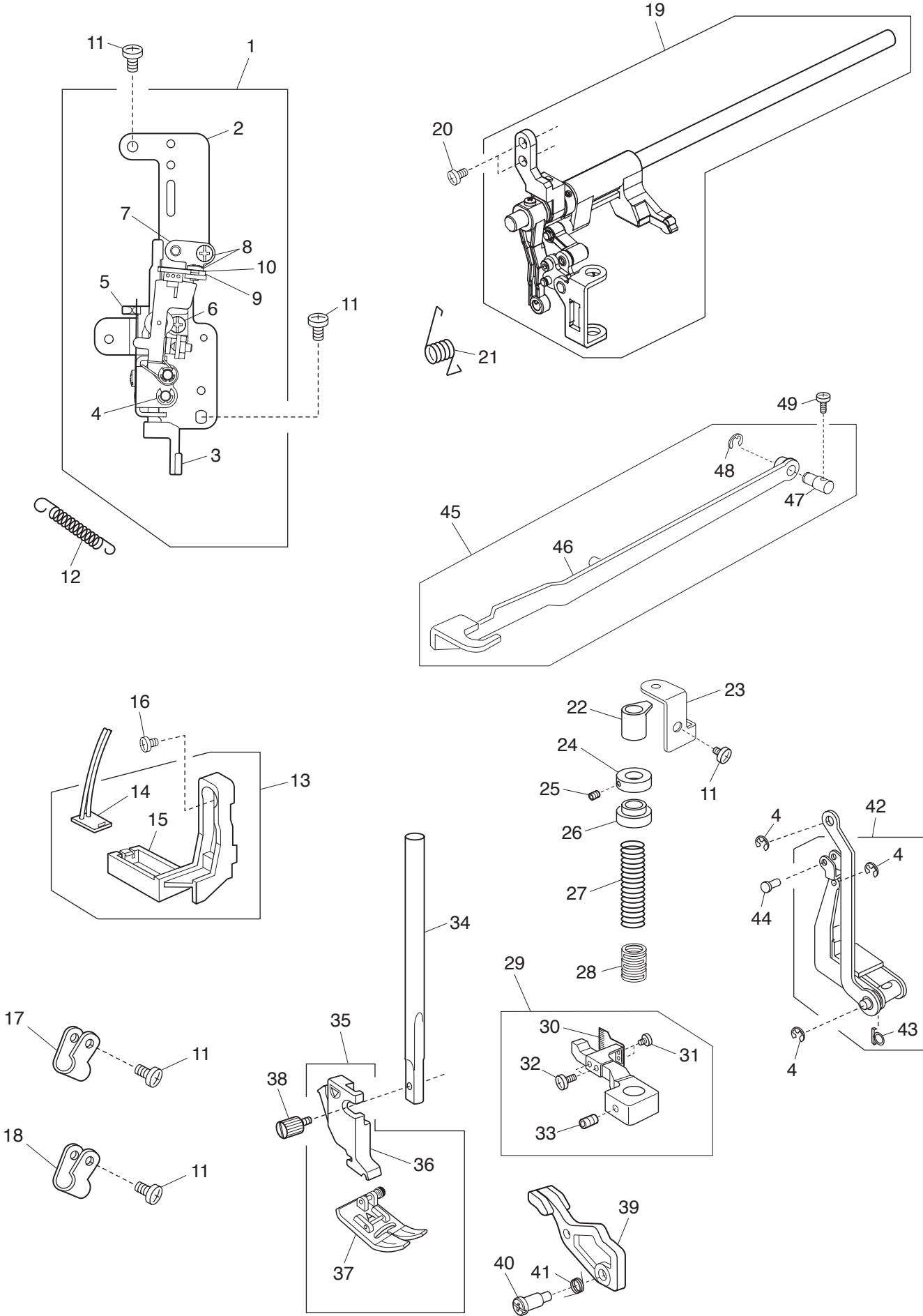
PARTS LIST



PARTS LIST

KEY NO.	PARTS NO.	DESCRIPTION
1	861606016	Needle plate (unit)
2	861013032	Needle plate
3	861014000	Hook cover plate supporter
4	809134005	Hook cover plate supporter base
5	809135006	Guide holder
6	809137008	Cutter
7	000014306	Snap ring CS-3
8	825016000	Hook cover plate release button
9	825017001	Spring
10	809044203	Rotation stopper
11	000097613	Setscrew 2x4
12	820374004	Setscrew 2x2.3
13	859046004	Needle plate sensor block
14	859047016	Spring
15	000169709	Setscrew 2x2.3
16	859245005	Spring 2
17	859271000	Guide plate
18	000102807	Setscrew 2x4
19	859272104	Rubber sheet
20	809184000	Spring
21	809136100	Hook cover plate
22	863681000	Belt cover (unit)
23	863188002	Belt cover
24	863189003	Belt cover ornamental panel 1
25	863190007	Belt cover ornamental panel 2
26	000149002	Setscrew 3x10
27	000081005	Setscrew 4x8
28	745033002	Cap
29	000115205	Setscrew TP 4x6
30	000115009	Setscrew TP 3x8
31	863001011	Base cover
32	000161206	Setscrew 3x10 (B)
33	860003025	Needle plate nut set plate
34	810220106	Setscrew
35	859270009	Needle plate positioning pin
36	000111201	Hexagonal socket screw 4x4
37	859247018	Needle plate adjusting plate
38	859671107	Needle plate sensor (unit)
39	859524104	Switch (unit)
40	755096004	Setscrew
41	859246006	Switch set plate
42	000193001	Setscrew TP 4x6
43	861601011	Arm sole (front side) (unit)
44	861002016	Arm sole (front side)
45	858162004	Spring
46	605074008	Rubber foot
47	820350004	Adjusting screw
48	000014409	Snap ring CS-8
49	000148403	Setscrew 6x12 (S)
50	861603013	Arm sole (rear side) (unit)
51	861003017	Arm sole (rear side)
52	000141107	Bushing
53	000119106	Setscrew TP 4x10
54	647009002	Rubber foot

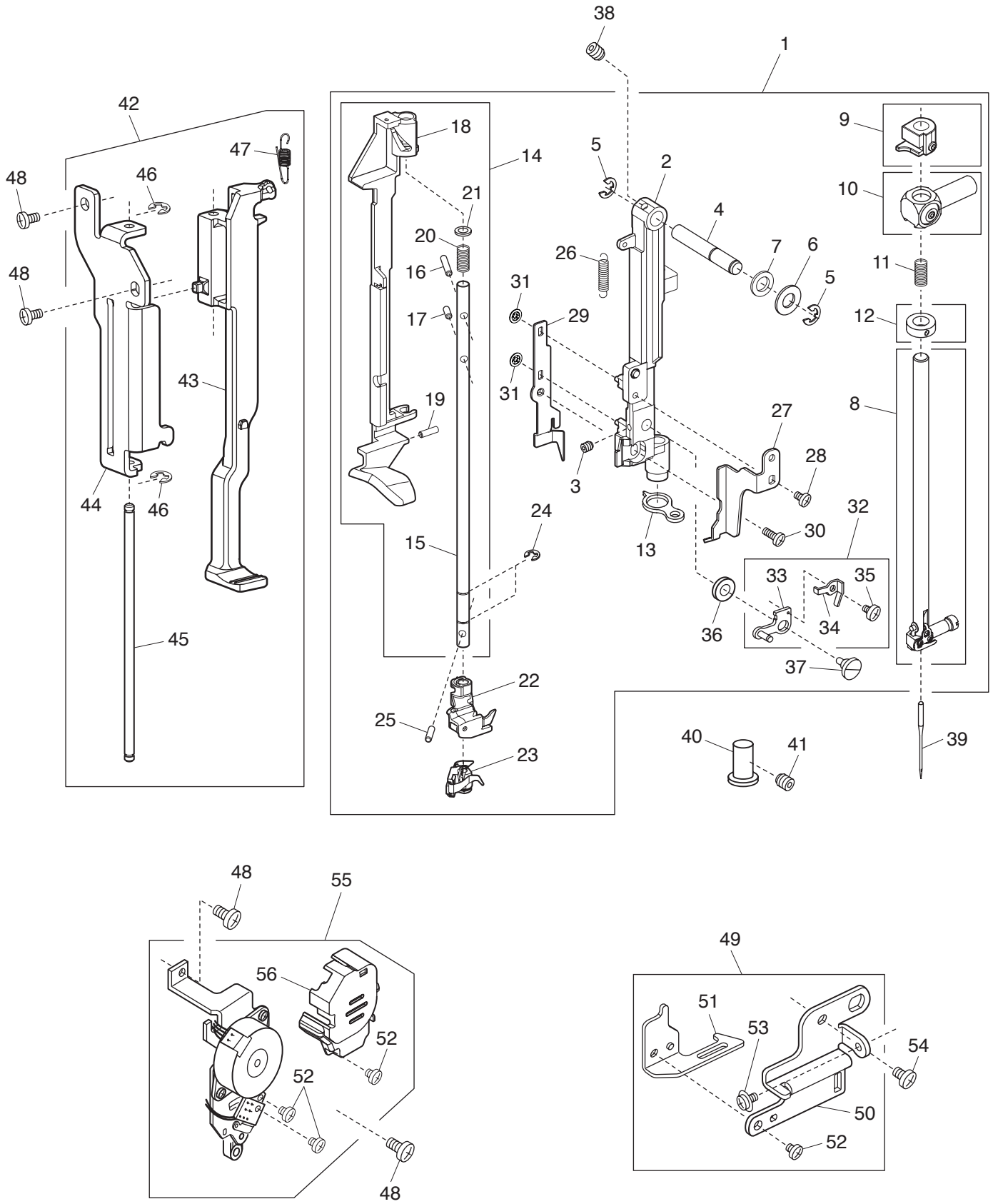
PARTS LIST



PARTS LIST

KEY NO.	PARTS NO.	DESCRIPTION
1	863628205	Front bracket (unit)
2	863117000	Front bracket
3	808673307	Buttonhole lever (unit)
4	000002105	Snap ring E-3
5	830057021	Buttonhole lever guide
6	000103808	Setscrew 3x5
7	846044002	Sensor base plate
8	000101105	Setscrew 3x4
9	852502909	Printed circuit board G1 (unit)
10	853028002	Insulation sheet
11	000081005	Setscrew 4x8
12	858312001	Needle bar supporter spring
13	861665600	LED cover (unit)
14	859525091	Printed circuit board L2 (unit)
15	859232021	LED cover
16	000078319	Setscrew 3x6
17	000188209	Nylon clip ACC-1.5
18	000188601	Nylon clip ACC-2.5
19	863631005	Upper feed upper shaft (unit)
20	000103509	Setscrew 4x10
21	863124000	Upper feed upper shaft spring
22	652104004	Presser bar bushing
23	859075002	Presser bar plate
24	859076003	Presser foot lifter stopper
25	000216805	Hexagonal socket screw 3x3
26	859077004	Spring supporter
27	859078005	Presser bar spring
28	859210001	Spring supporter
29	859624002	Presser bar supporter (unit)
30	859081001	Shielding plate
31	000098108	Setscrew 2x3
32	000128603	Setscrew 3x5
33	000111201	Hexagonal socket screw 4x4
34	859082002	Presser bar
35	867819001	Presser foot (unit)
36	867542000	Presser foot holder (unit)
37	859802006	Zigzag foot (unit)
38	858274000	Thumbscrew
39	859027010	Presser foot lifter lever
40	865049006	Setscrew
41	859029001	Spring
42	859627027	Upper feed foot (unit)
43	858313002	Washer
44	846327002	Pin (1)
45	863639003	Automatic presser foot lifter lever (unit)
46	859070007	Automatic presser foot lifter lever
47	859069003	Presser foot lifter lever shaft
48	000002507	Snap ring E-4
49	000101703	Setscrew 4x12

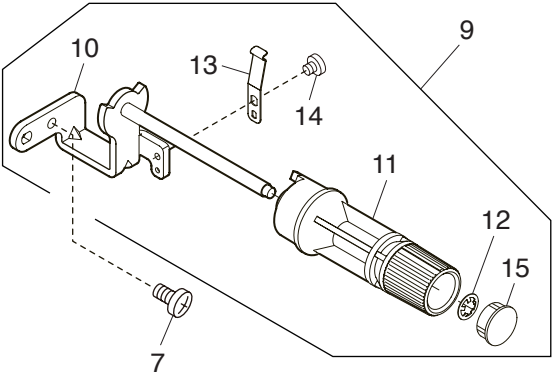
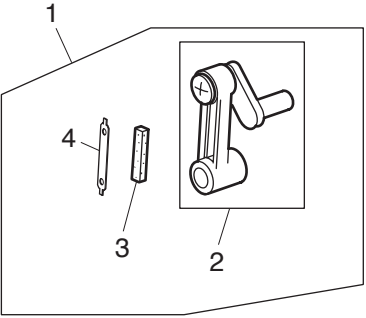
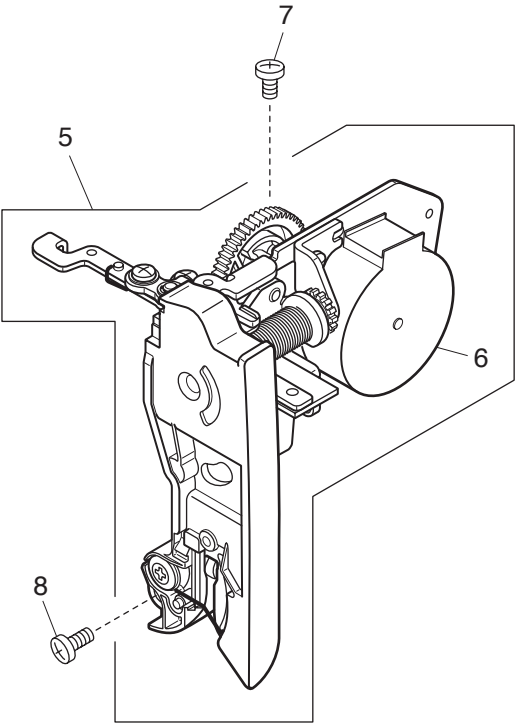
PARTS LIST



PARTS LIST

KEY NO.	PARTS NO.	DESCRIPTION	KEY NO.	PARTS NO.	DESCRIPTION
1	863673009	Needle bar supporter (unit)	51	862133010	Thread guide plate
2	869021004	Needle bar supporter	52	000101105	Setscrew 3x4
3	000111902	Hexagonal socket screw 3x4	53	000114709	Setscrew TP 3x6
4	735144006	Needle bar supporter pin	54	000078319	Setscrew 3x6
5	000002507	Snap ring E-4	55	861629107	Zigzag width motor (unit)
6	000070609	Washer 6	56	861055014	Motor cover
7	673022002	Washer			
8	858538005	Needle bar (unit)			
9	858540000	Rotation pin stopper (unit)			
10	846515009	Needle bar supporter (unit)			
11	869022005	Needle bar supporter spring			
12	858541001	Threader guide ring (unit)			
13	829027006	Supporter guide plate			
14	869608001	Threader shaft (unit)			
15	869023006	Threader shaft			
16	000265500	Guide pin E-2x12-CH			
17	000265603	Guide pin E-2x6-CH			
18	869024A01	Threader arm			
19	869025008	Cam pin			
20	869026009	Needle threader spring			
21	539061004	Washer			
22	869609002	Thread guide base (unit)			
23	869610006	Hook holder (unit)			
24	000001207	Snap ring E-2.5			
25	000003508	Spring pin 2x8			
26	869030006	Needle threader return spring			
27	869031007	Spring supporter			
28	000103808	Setscrew 3x5			
29	869037003	Thread release plate			
30	000081500	Setscrew 3x12			
31	000014100	Snap ring CS-2			
32	861630008	Zigzag width rod (unit)			
33	808015006	Zigzag width rod			
34	827088009	Zigzag width rod spring			
35	820373003	Setscrew 2x3			
36	863127003	Washer			
37	678084306	Eccentric pin			
38	000111201	Hexagonal socket screw 4x4			
39	647814031	Needle			
40	827083004	Supporter guide pin			
41	000216805	Hexagonal socket screw 3x3			
42	863666009	Needle threader lever (unit)			
43	863164013	Needle threader lever			
44	863166004	Needle threader shaft retaining plate			
45	863165003	Needle threader lever shaft			
46	000002301	Snap ring E-2			
47	861167009	Needle threader lever spring			
48	000081005	Setscrew 4x8			
49	862651019	Arm thread guide (unit)			
50	862081012	Arm thread guide			

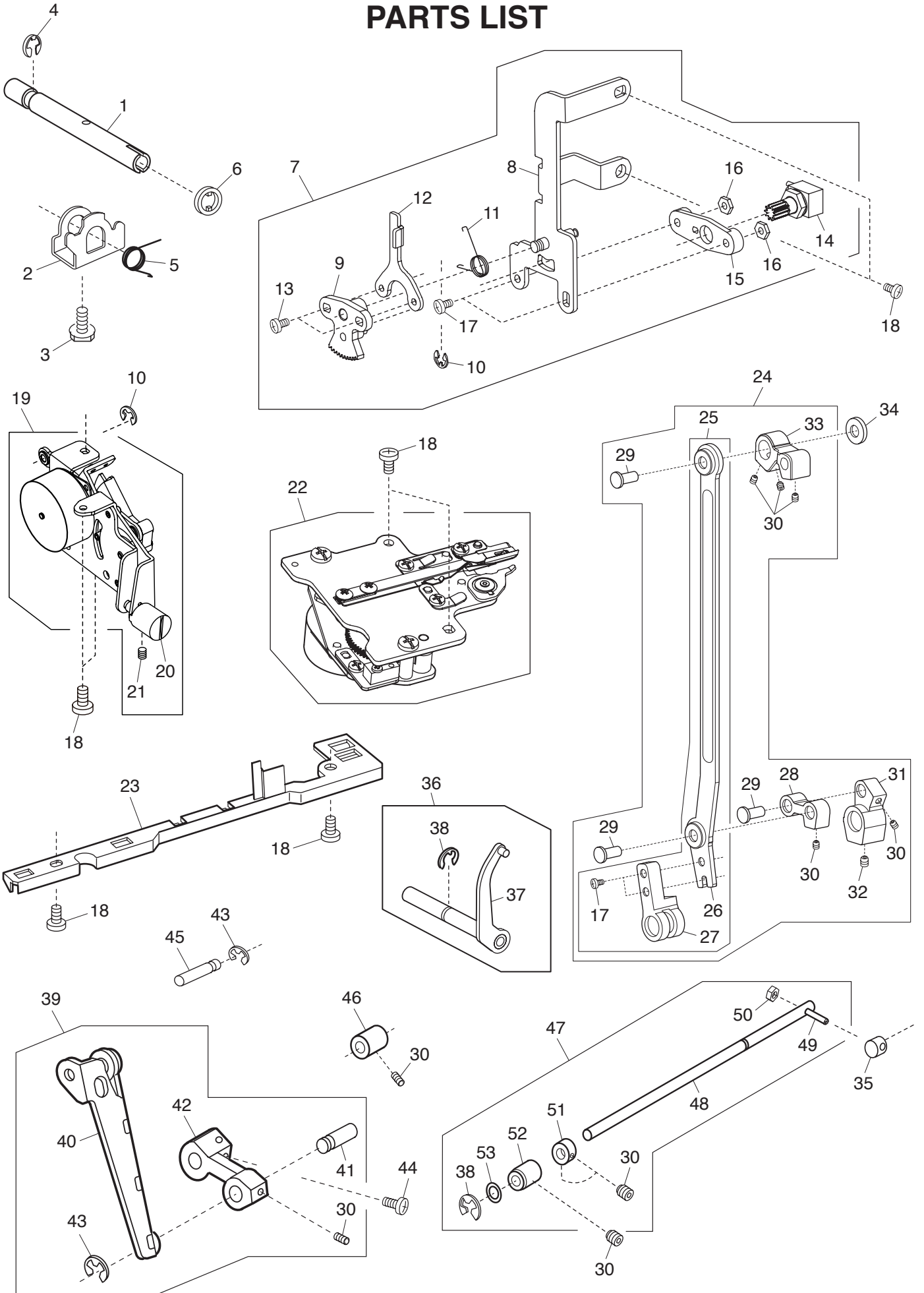
PARTS LIST



PARTS LIST

KEY NO.	PARTS NO.	DESCRIPTION
1	846615103	Needle bar crank (unit)
2	843543007	Needle bar crank pin (unit)
3	650040005	Felt
4	650041006	Spring
5	863674000	Thread tension (unit)
6	860523406	Stepping motor (unit)
7	000081005	Setscrew 4x8
8	000103509	Setscrew 4x10
9	862634005	Upper feed adjusting base plate (unit)
10	862085005	Upper feed adjusting base plate
11	862086006	Upper feed adjusting dial
12	000013903	Snap ring CS-5
13	846353007	Dial leaf
14	000101105	Setscrew 3x4
15	862126009	Cap

PARTS LIST



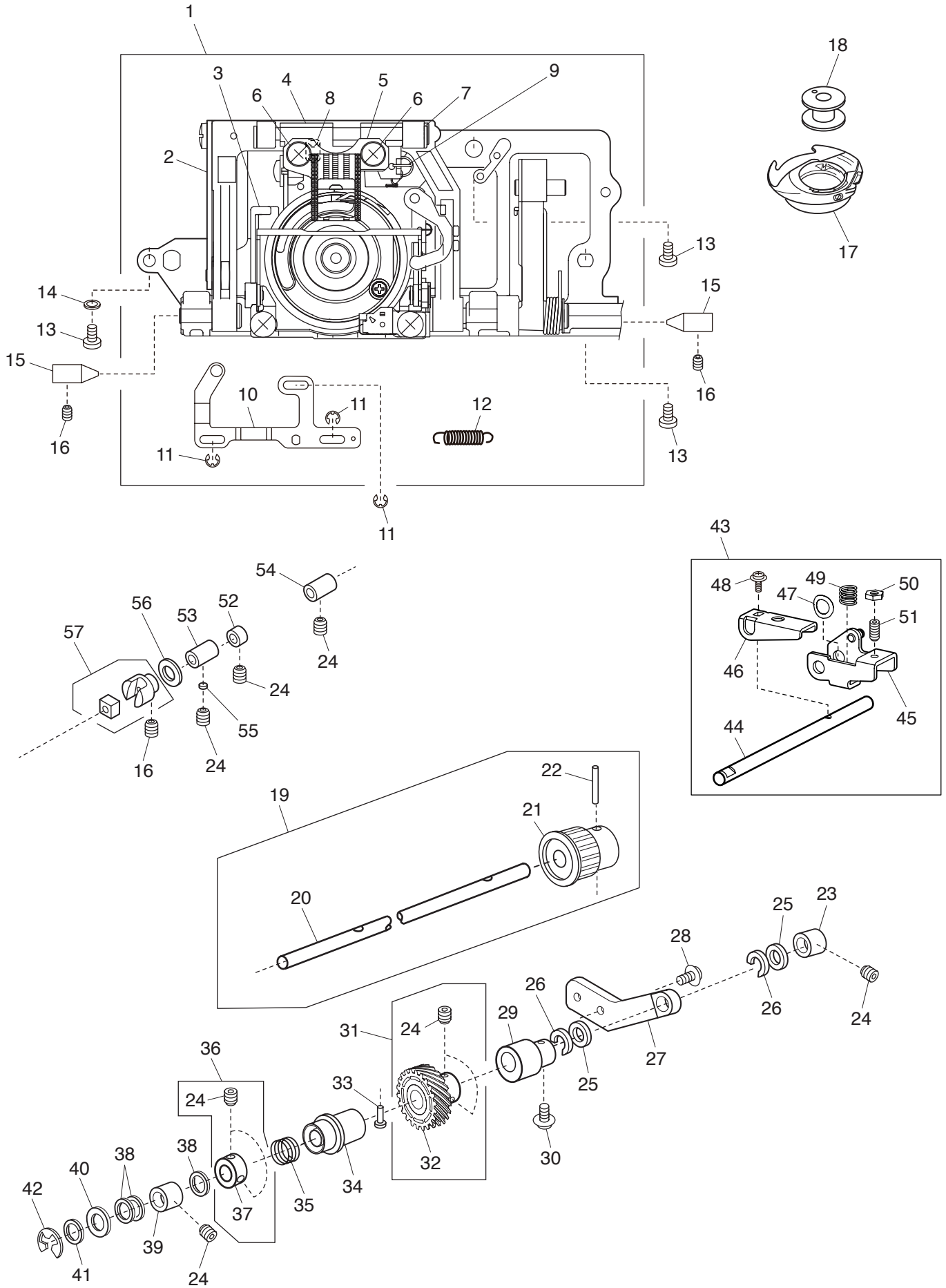
PARTS LIST

KEY NO.	PARTS NO.	DESCRIPTION
1	863125001	Knee lifter shaft
2	859021014	Knee lifter stopper
3	000138503	Hexagonal socket screw 5x12
4	000002208	Snap ring E-9
5	859022004	Knee lifter stopper spring
6	846297002	Stopper
7	863634008	Knee lifter sensor (unit)
8	863115008	Knee lifter sensor set plate
9	850085008	Bobbin thread sensor gear
10	000002105	Snap ring E-3
11	859025007	Knee lifter sensor spring
12	859026008	Knee lifter sensor arm
13	000078319	Setscrew 3x6
14	850520402	Potentiometer (unit)
15	850087000	Potentiometer set plate
16	000063104	Nut 3-2-5.5
17	000066705	Setscrew 3x8
18	000081005	Setscrew 4x8
19	861628003	Feed motor (unit)
20	859215006	Feed balancing dial
21	000110200	Hexagonal socket screw 4x4 (WP)
22	863638002	Automatic thread cutter (unit)
23	861077001	Cord guide 2 (free arm)
24	863632006	Upper feed adjusting arm (unit)
25	863633007	Upper feed connecting link (unit)
26	863110003	Upper feed connecting link
27	846307006	Connecting link
28	846349000	Upper feed adjusting link
29	820144003	Pin
30	000111201	Hexagonal socket screw 4x4
31	846350004	Upper feed adjusting arm (1)
32	000111304	Hexagonal socket screw 5x5
33	863111004	Upper feed upper shaft rear arm
34	822070003	Felt (1)
35	846348009	Rear arm feed lifting roller
36	858644108	Upper feed adjusting arm (2) (unit)
37	863109009	Upper feed adjusting arm (2)
38	000002806	Snap ring E-6
39	858623101	Feed connecting link (unit)
40	863107007	Feed connecting link
41	502258006	Connecting pin
42	846304106	Upper feed lower shaft front arm
43	000002507	Snap ring E-4
44	000103509	Setscrew 4x10
45	502258202	Connecting pin
46	784071003	Looper shaft bushing
47	858624102	Upper feed lower shaft (unit)
48	863108008	Upper feed lower shaft
49	846306005	Upper feed lower shaft rear arm
50	000061102	Nut 4-1-7
51	820166001	Lower shaft ring
52	846303002	Upper feed lower shaft bushing
53	000038502	Washer

PARTS LIST

KEY NO.	PARTS NO.	DESCRIPTION
1	861619300	Upper shaft (unit)
2	000111706	Hexagonal socket screw 5x8
3	000110901	Hexagonal socket screw 5x4
4	859214005	Upper feed cam
5	000078319	Setscrew 3x6
6	670079201	Upper shaft front bushing
7	000040105	Washer
8	767077006	Ring
9	000111304	Hexagonal socket screw 5x5
10	859055006	Upper shaft shield plate
11	859033008	Shield plate washer
12	000080406	Setscrew 3x10
13	000032702	Snap ring crescent
14	767178101	Ball bearing 6901ZZ
15	731312005	Felt
16	861620201	Upper shaft sensor (unit)
17	861039001	Sensor set plate
18	807505304	Printed circuit board P (unit)
19	000101105	Setscrew 3x4
20	000081005	Setscrew 4x8
21	863122008	Cord guide plate 3
22	820511108	Thread take-up lever (unit)
23	650626001	Thread take-up lever pin (unit)
24	000002806	Snap ring E-6
25	000111201	Hexagonal socket screw 4x4
26	861636118	Bobbin winder (unit)
27	861503034	Bobbin winder
28	861096006	Clutch lever
29	000120203	Setscrew 3x8 (B)
30	861091001	Bobbin winder arm spring
31	861092002	Bobbin winder set plate
32	000001609	Snap ring E-5
33	861098008	Guide plate
34	856512100	Leaf switch (unit)
35	000081706	Setscrew 2.5x5
36	809619009	Thread cutter holder (unit)
37	858052000	Upper shaft gear
38	000004303	Spring pin 3x20
39	000024206	Spring pin 3x30
40	858647008	Belt wheel (unit)
41	858053001	Clutch ring
42	502065004	Clutch spring
43	858054002	Belt wheel
44	000030009	Snap ring E-10
45	858055003	Handwheel
46	846098104	Timing belt 178
47	858118108	Timing belt 168

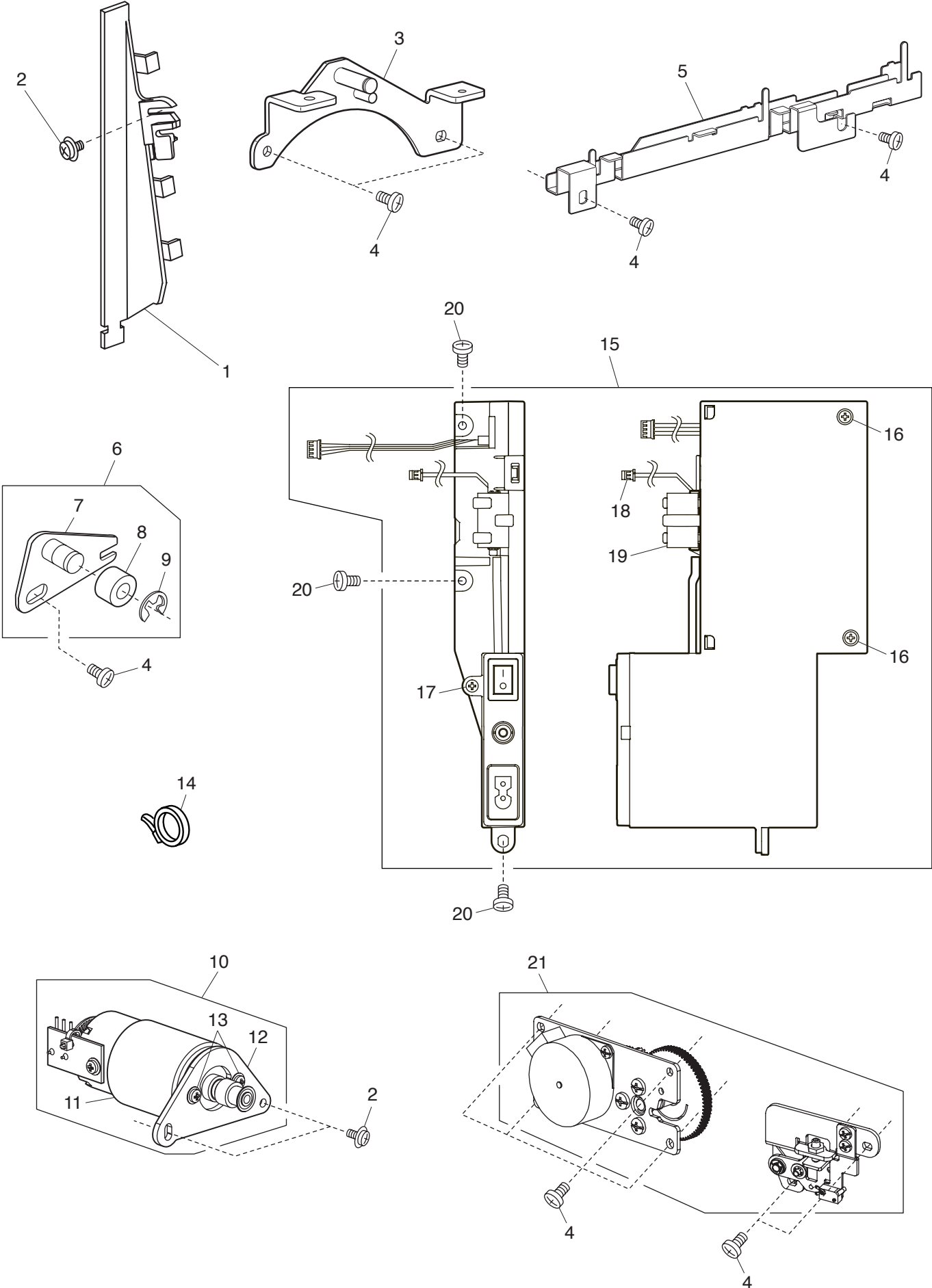
PARTS LIST



PARTS LIST

KEY NO.	PARTS NO.	DESCRIPTION	KEY NO.	PARTS NO.	DESCRIPTION
1	861625701	Feed rock shaft (whole unit)	51	000177401	Hexagonal socket screw 4x12
2	846629203	Feed rock shaft (unit)	52	820387000	Ring
3	861626104	Hook race (unit)	53	625144002	Feed shaft bushing (front)
4	859639103	Feed base (unit)	54	650092002	Feed shaft bushing (rear)
5	867033003	Feed dog	55	650175000	Cushion
6	000104005	Setscrew 3.5x8	56	823110009	Felt
7	825099007	Feed base shaft	57	625508008	Feed regulator (unit)
8	000111407	Hexagonal socket screw 4x6			
9	825103005	Feed base spring			
10	858138001	Drop plate			
11	000002105	Snap ring E-3			
12	661018008	Spring			
13	000081005	Setscrew 4x8			
14	000070506	Washer 4			
15	738055008	Straight pin			
16	000111304	Hexagonal socket screw 5x5			
17	858570308	Bobbin holder (unit)			
18	102261103	Bobbin			
19	861621006	Lower shaft (unit)			
20	861040005	Lower shaft			
21	650073007	Lower shaft gear			
22	000004200	Spring pin 3x18			
23	650079003	Lower shaft bushing (rear)			
24	000111201	Hexagonal socket screw 4x4			
25	822070003	Felt (1)			
26	822112008	Felt holder (1)			
27	858058006	Lower shaft supporter			
28	000115700	Setscrew TP 4x10			
29	846379009	Feed cam			
30	000149600	Setscrew 3x14			
31	863663006	Lower shaft gear (unit)			
32	808137005	Lower shaft gear			
33	820161006	Feed lifting pin			
34	846103000	Feed lifting cam			
35	825093001	Feed lifting cam spring			
36	820672005	Lower shaft ring (unit)			
37	820166001	Lower shaft ring			
38	000038502	Washer			
39	858060001	Lower shaft bushing (front)			
40	735143005	Felt			
41	858177002	Lower shaft washer			
42	000002806	Snap ring E-6			
43	861627002	Feed shaft (unit)			
44	861048003	Feed shaft			
45	858129009	Feed arm (1)			
46	858130003	Feed arm (2)			
47	810207004	Washer			
48	000201302	Setscrew TP 3x10			
49	589040002	Spring			
50	000160102	Adjustable lock nut 4			

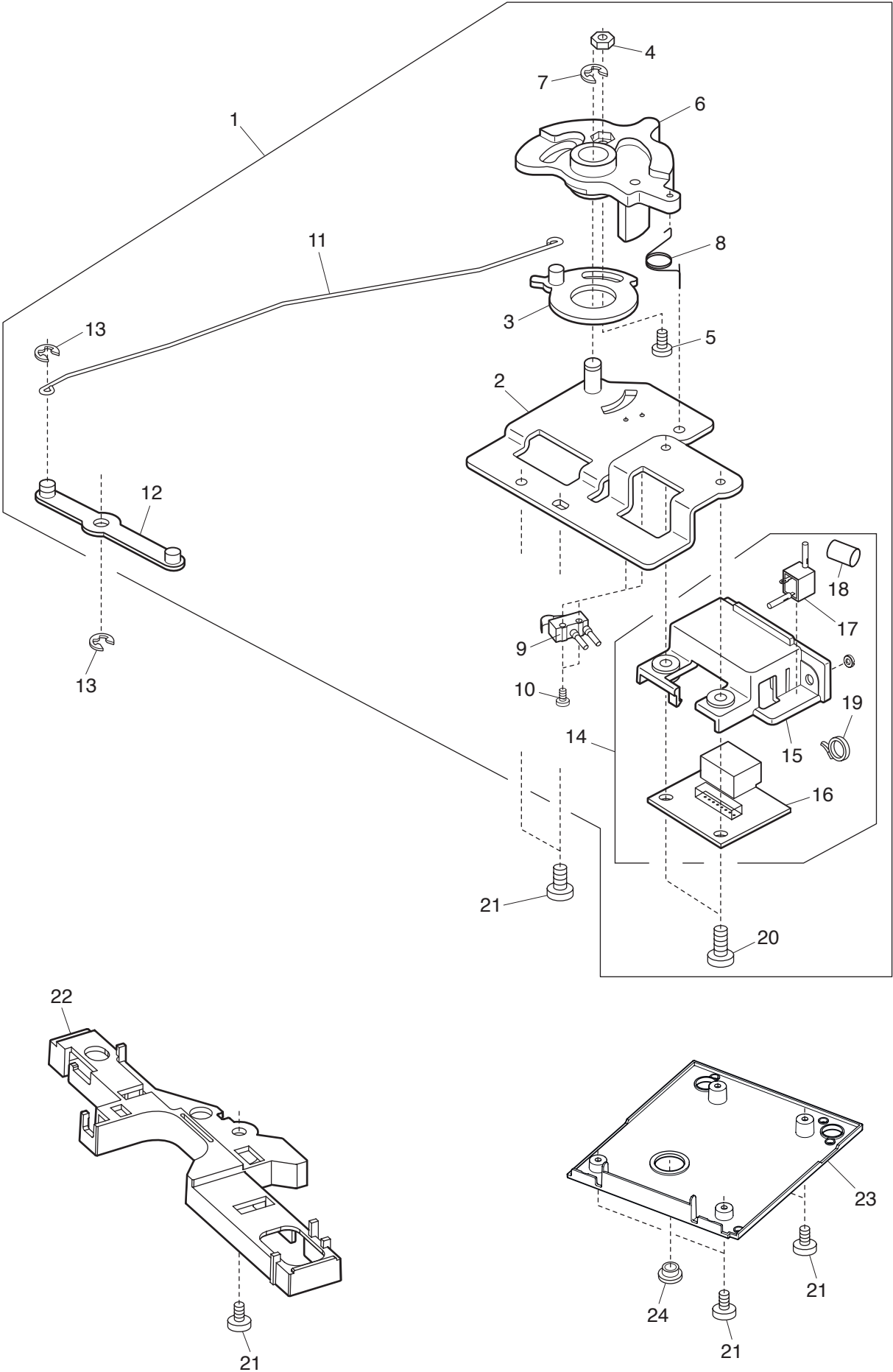
PARTS LIST



PARTS LIST

KEY NO.	PARTS NO.	DESCRIPTION
1	858145012	Cord guide plate
2	000115607	Setscrew TP 4x8
3	863185009	Carrying handle supporter (rear)
4	000081005	Setscrew 4x8
5	863179000	Cord guide
6	860608004	Idler (unit)
7	860021007	Idler base
8	625217100	Idler
9	000002806	Snap ring E-6
10	865613100	DC motor (unit)
11	865504107	DC motor
12	858117004	DC motor bracket
13	000115009	Setscrew TP 3x8
14	000053008	Cord binder
15	863612103	Switching power supply (unit) (U.S.A.) (Canada)
	863652404	Switching power supply (unit) (Australia) (Continental Europe)
16	000119704	Setscrew 3x14 (B)
17	000161206	Setscrew 3x10 (B)
18	863505102	TRS connector cord (U.S.A.) (Canada)
	863505308	TRS connector cord (Australia) (Continental Europe)
19	808108007	Ferrite core (Australia) (Continental Europe)
20	000103509	Setscrew 4x10
21	863627019	Presser foot lifter motor (unit)

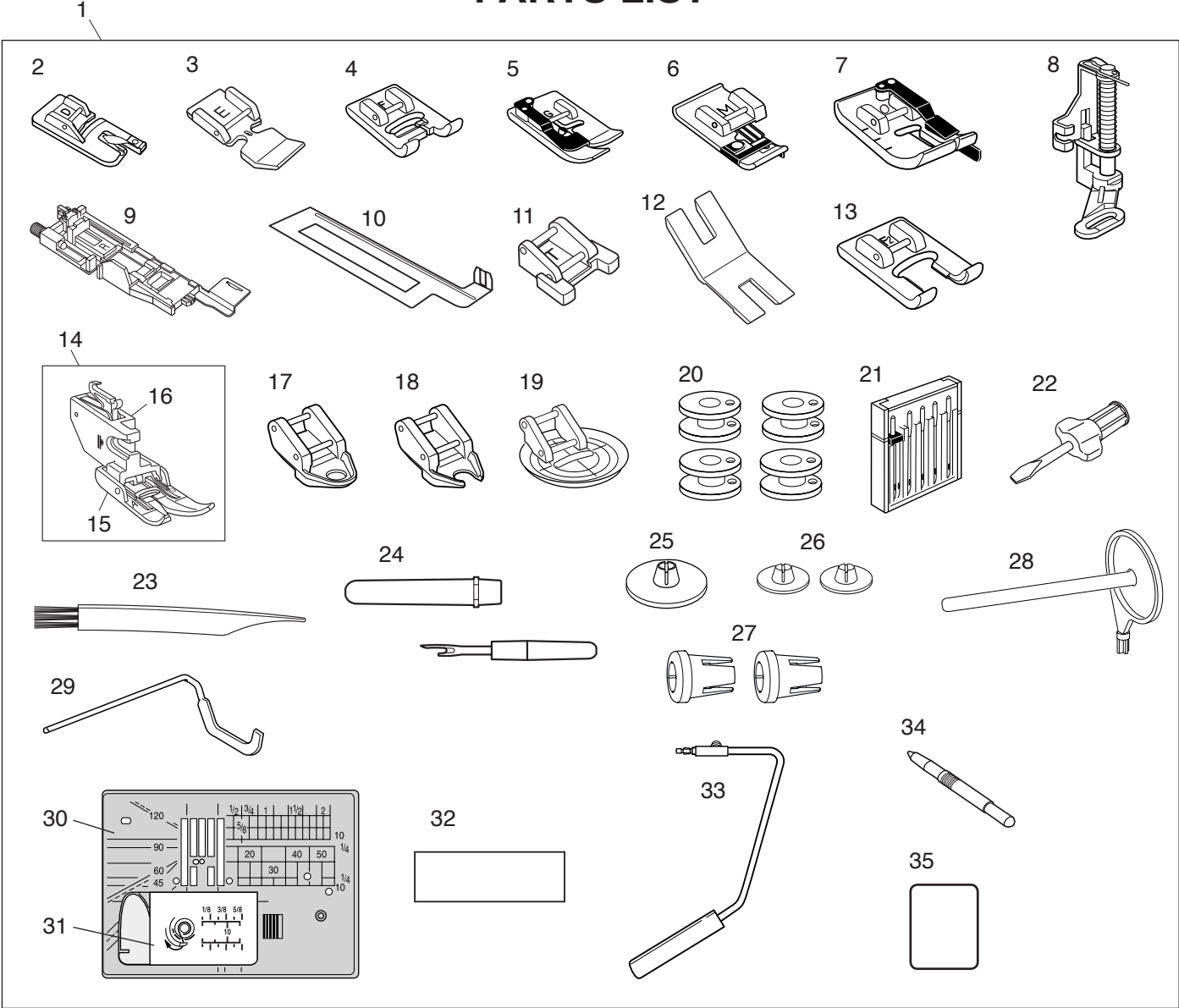
PARTS LIST



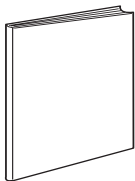
PARTS LIST

KEY NO.	PARTS NO.	DESCRIPTION
1	863680009	Feed dog drop lever (unit) (U.S.A.) (Canada)
	863680308	Feed dog drop lever (unit) (Australia) (Continental Europe)
2	863186000	Feed dog drop lever base
3	858142008	Feed dog drop lever connecting plate
4	000061803	Nut 3-3-5.5
5	000066705	Setscrew 3x8
6	858143009	Feed dog drop lever
7	000002507	Snap ring E-4
8	863187001	Spring
9	652520147	Micro switch (unit)
10	000102900	Setscrew 2x8
11	863123009	Rod
12	858139002	Drop connecting block
13	000002105	Snap ring E-3
14	861638109	Printed circuit board B case (unit) (U.S.A.) (Canada)
	861638305	Printed circuit board B case (unit) (Australia) (Continental Europe)
15	861090000	Printed circuit board B case
16	861507108	Printed circuit board B (unit)
17	861509100	Jack cord (U.S.A.) (Canada)
	861509306	Jack cord (Australia) (Continental Europe)
18	863504008	Ferrite core (Australia) (Continental Europe)
19	000053101	Cord binder (Australia) (Continental Europe)
20	000103509	Setscrew 4x10
21	000081005	Setscrew 4x8
22	863104107	Cord guide 1
23	863029004	Base plate
24	626045407	Cap

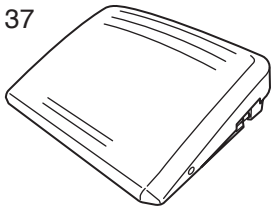
PARTS LIST



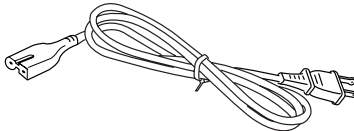
36



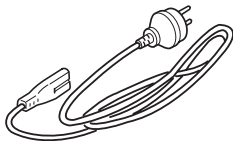
37



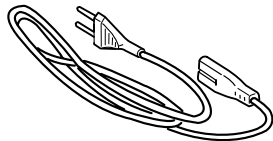
38 (U.S.A.) (Canada)



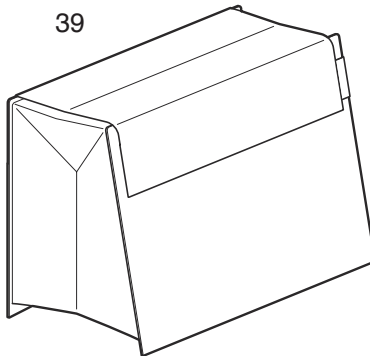
38 (Australia)



38 (Continental Europe)



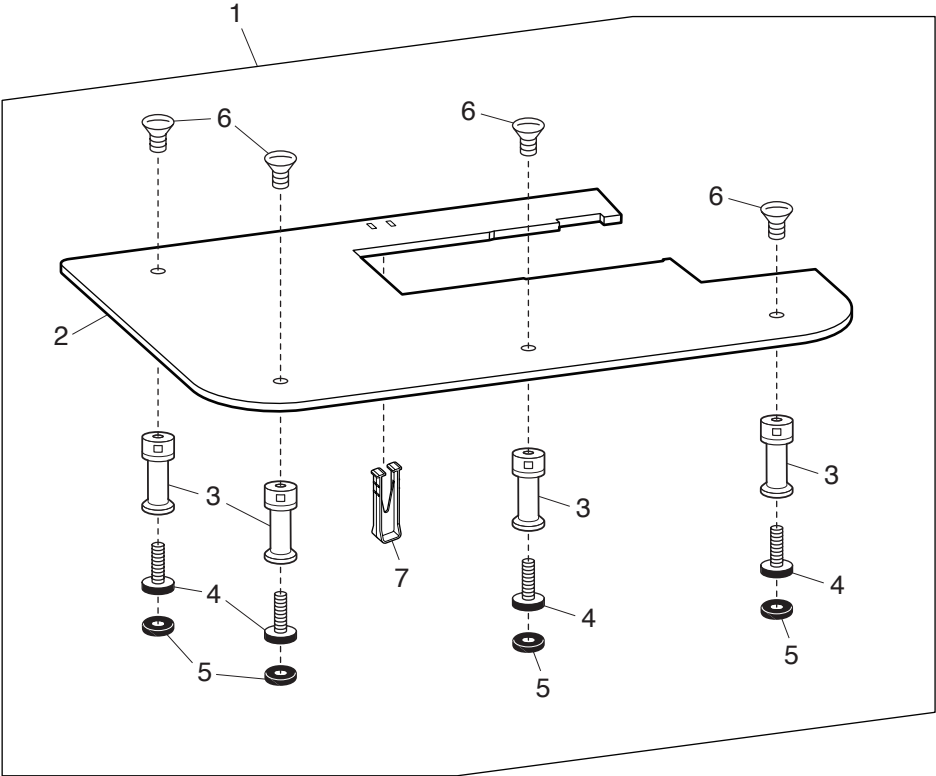
39



PARTS LIST

KEY NO.	PARTS NO.	DESCRIPTION
1	863870226	Accessory set
2	859804008	Rolled hem foot D
3	859805009	Zipper foot E
4	859806011	Satin stitch foot F
5	859807001	Blind hemming foot G
6	859810007	Overcasting foot M
7	859814012	1/4" Seam foot O
8	859839002	Darning foot PD-H
9	862822013	Automatic buttonhole foot R
10	859832016	Stabilizer plate
11	859811008	Button sewing foot T
12	832820007	Button shank plate
13	859813000	Open toe satin stitch foot F2
14	859819017	Dual feed foot AD (unit)
15	859819109	Dual feed foot AD
16	859817015	Dual feed foot holder
17	859836009	Free motion quilting closed-toe foot QC
18	859837000	Free motion quilting open-toe foot QO
19	859812009	Free motion quilting zigzag foot QV
20	102261103	Bobbin
21	859856005	Needle case (unit)
22	820832005	Screwdriver
23	802424004	Lint brush
24	647808009	Seam ripper (buttonhole opener)
25	822020503	Spool holder (large)
26	822019509	Spool holders (small)
27	862408008	Spool holders (special)
28	809041004	Extra spool pin
29	755802001	Quilting guide bar
30	862817118	Straight stitch needle plate
31	809136100	Hook cover plate
32	858801002	Caution card
33	846417011	Knee lifter
34	860194002	Touch panel stylus
35	101506A09	Threading guide sticker
36	863850806	Instruction book (English)
	863850828	Instruction book (French)
	863850839	Instruction book (German)
	863850840	Instruction book (Dutch)
37	043170108	Foot control
38	856519004	Power cable (U.S.A.) (Canada)
	830314018	Power cable (Australia)
	830335004	Power cable (Continental Europe)
39	863422001	Cover

PARTS LIST



PARTS LIST

KEY NO.	PARTS NO.	DESCRIPTION
1	863846005	Extra wide table (unit)
2	861401112	Extra wide table
3	489603006	Table leg (unit)
4	489004001	Table foot
5	491002006	Rubber foot
6	000165509	Setscrew 5x18
7	863401004	Extra wide table supporter
