

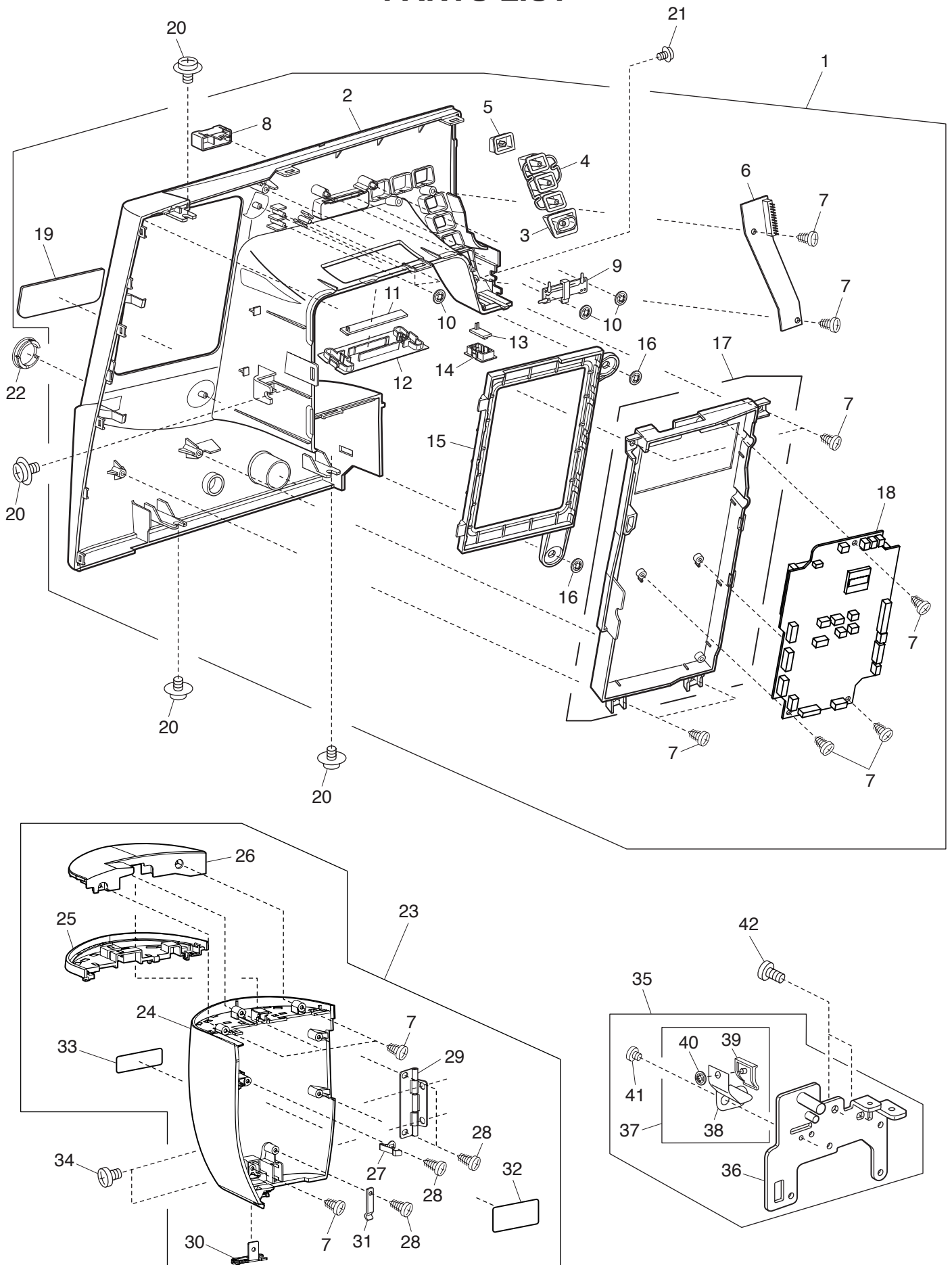
**SERVICE MANUAL
&
PARTS LIST**

MODEL: SKYLINE S5

Anniversary Edition

PARTS LIST

PARTS LIST



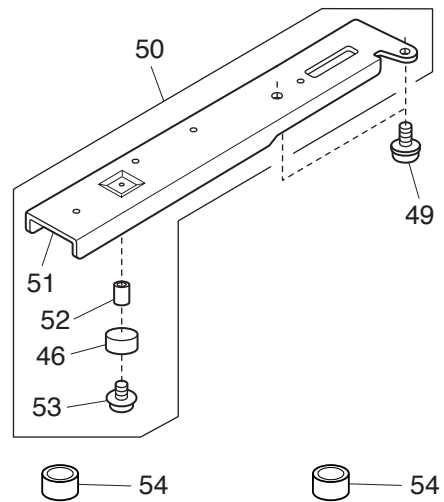
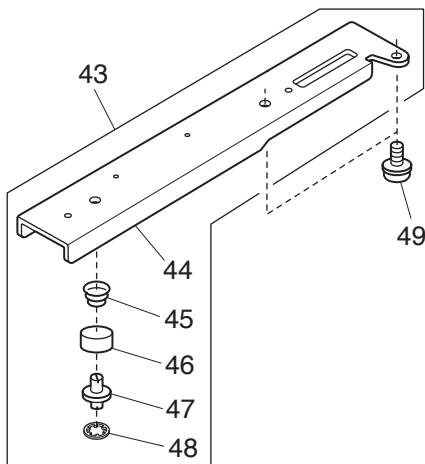
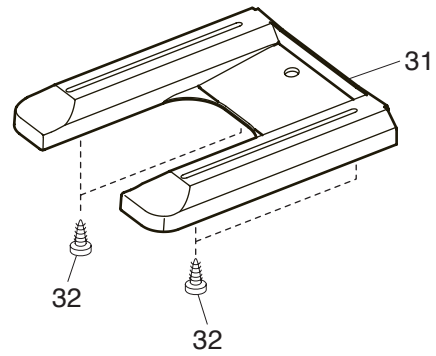
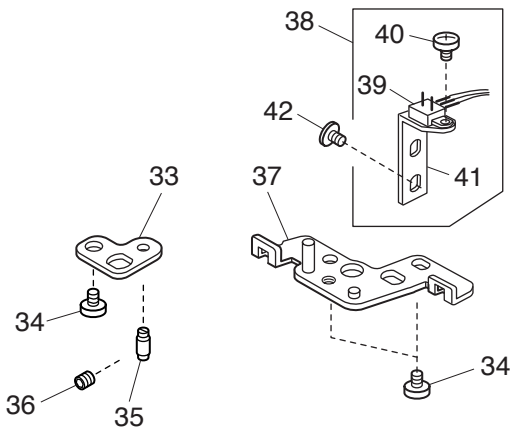
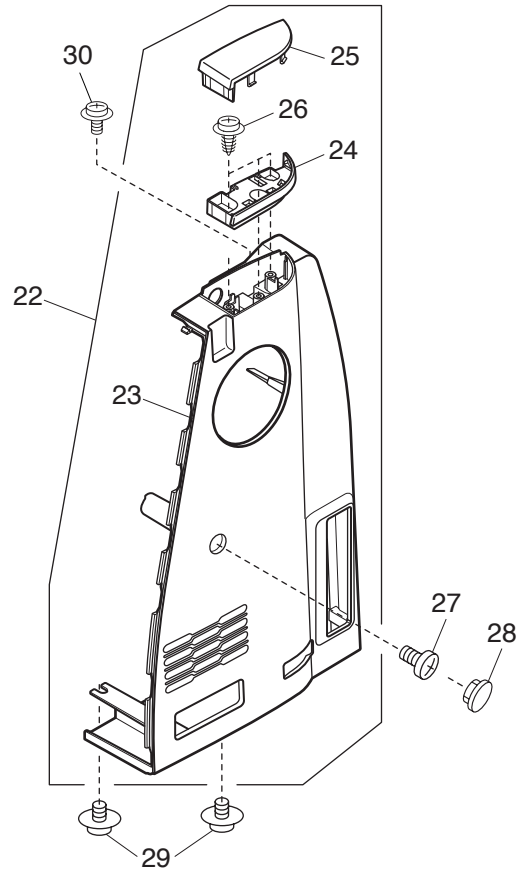
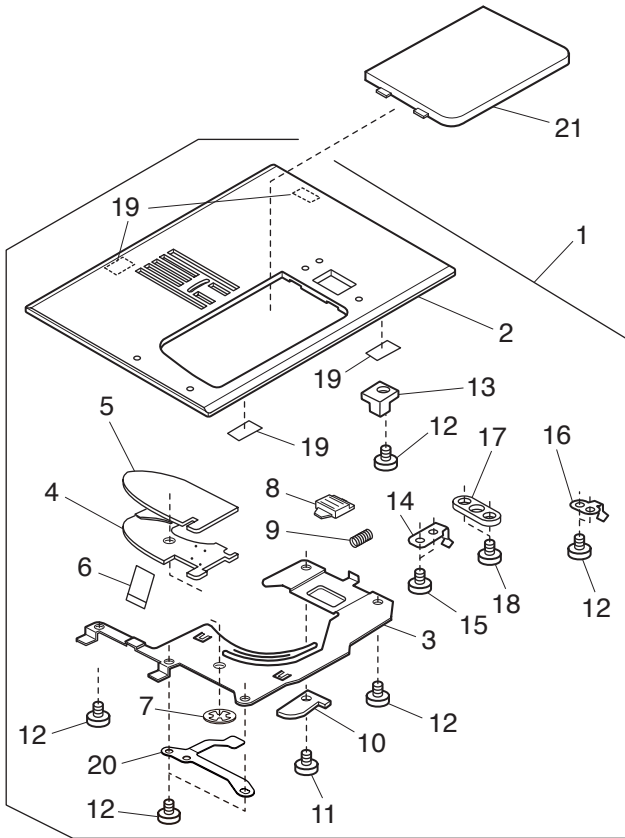
PARTS LIST

KEY NO.	PARTS NO.	DESCRIPTION
1	863676507	Front cover (unit)
2	863181B02	Front cover
3	863017A01	Start/stop button
4	863018H01	Function button 1
5	863182B01	Function button 2
6	861528002	Printed circuit board F (unit)
7	000120203	Setscrew 3x8 (B)
8	863020016	Speed control slider
9	653507082	Slide volume (unit)
10	000014306	Snap ring CS-3
11	858502310	Printed circuit board L1 (unit)
12	858106000	LED cover 2
13	859525910	Printed circuit board L2 (unit)
14	860167006	Lamp cover 2
15	863183007	Front cover ornamental panel
16	000014007	Snap ring CS-4
17	863417704	LCD case (unit)
18	863419131	Printed circuit board A (U.S.A.) (Canada)
	863419120	Printed circuit board A (Australia) (Continental Europe)
19	863023020	LCD panel
20	000115205	Setscrew TP 4x6
21	000114710	Setscrew TP 3x6
22	859216007	Cap
23	863671007	Face plate (unit) (U.S.A.) (Canada)
	863671100	Face plate (unit) (Australia) (Continental Europe)
24	863175A01	Face plate
25	863176007	Face plate ornamental panel 1
26	863177008	Face plate ornamental panel 2
27	850013005	Face plate spring
28	000161206	Setscrew 3x10 (B)
29	843545010	Face plate hinge (unit)
30	832508017	Thread cutter (unit)
31	859233000	Spring
32	100045000	Caution sticker (UL) (U.S.A.) (Canada)
33	100517008	Caution sticker (CSA) (U.S.A.) (Canada)
34	000081119	Setscrew 4x6
35	863672008	Carrying handle supporter (front) (unit)
36	863178009	Carrying handle supporter (front)
37	861613005	Spring (unit)
38	861073007	Spring
39	861074008	Spring cap
40	000017701	Snap ring CS-3.5
41	000101116	Setscrew 3x4
42	000081005	Setscrew 4x8

PARTS LIST

KEY NO.	PARTS NO.	DESCRIPTION
1	863668207	Top cover (whole unit)
2	863669208	Top cover (unit)
3	863168006	Top cover
4	863169007	Top cover ornamental panel
5	000061803	Nut 3-3-5.5
6	000103808	Setscrew 3x5
7	863170A03	Quick reference chart
8	863670109	Top cover body (unit)
9	863171002	Top cover body
10	859052003	Spool pin
11	822017002	Spool pin shaft
12	822018003	Spool pin spring
13	000107204	Setscrew 3x12 (B)
14	859541004	Thread guide (unit)
15	000120203	Setscrew 3x8 (B)
16	859648002	Thread guide cover (unit)
17	000020202	Spring pin 2x10 (K)
18	862535016	Bobbin winder thread guide (unit)
19	000160102	Adjustable lock nut 4
20	830011001	Bobbin winder thread guide cover
21	861099009	Bobbin winder stopper
22	000101127	Setscrew 3x4
23	830505007	Thread cutter (unit)
24	858023002	Top cover hinge (right)
25	858023105	Top cover hinge (left)
26	000161206	Setscrew 3x10 (B)
27	863172003	Top cover hinge spring (upper)
28	863173004	Top cover hinge spring (lower)
29	000104119	Setscrew 4x20
30	000078319	Setscrew 3x6
31	000170507	Setscrew 4x12
32	822020503	Spool holder (large)
33	863174005	Carrying handle
34	000001609	Snap ring E-5
35	861007103	Free arm cover
36	858165100	Threaded pin
37	000114710	Setscrew TP 3x6
38	861604003	Bed cover (unit)
39	861008001	Bed cover
40	859040008	Needle plate release lever
41	000081005	Setscrew 4x8
42	863167B01	Rear cover
43	000115205	Setscrew TP 4x6
44	000081810	Setscrew 4x45
45	863613B01	Extension table (unit)
46	863003002	Extension table
47	863004014	Extension table cover
48*	—	Extension table lid (not supplied individually)
49	863006016	Extension table lid cover
50	861012008	Foot tray

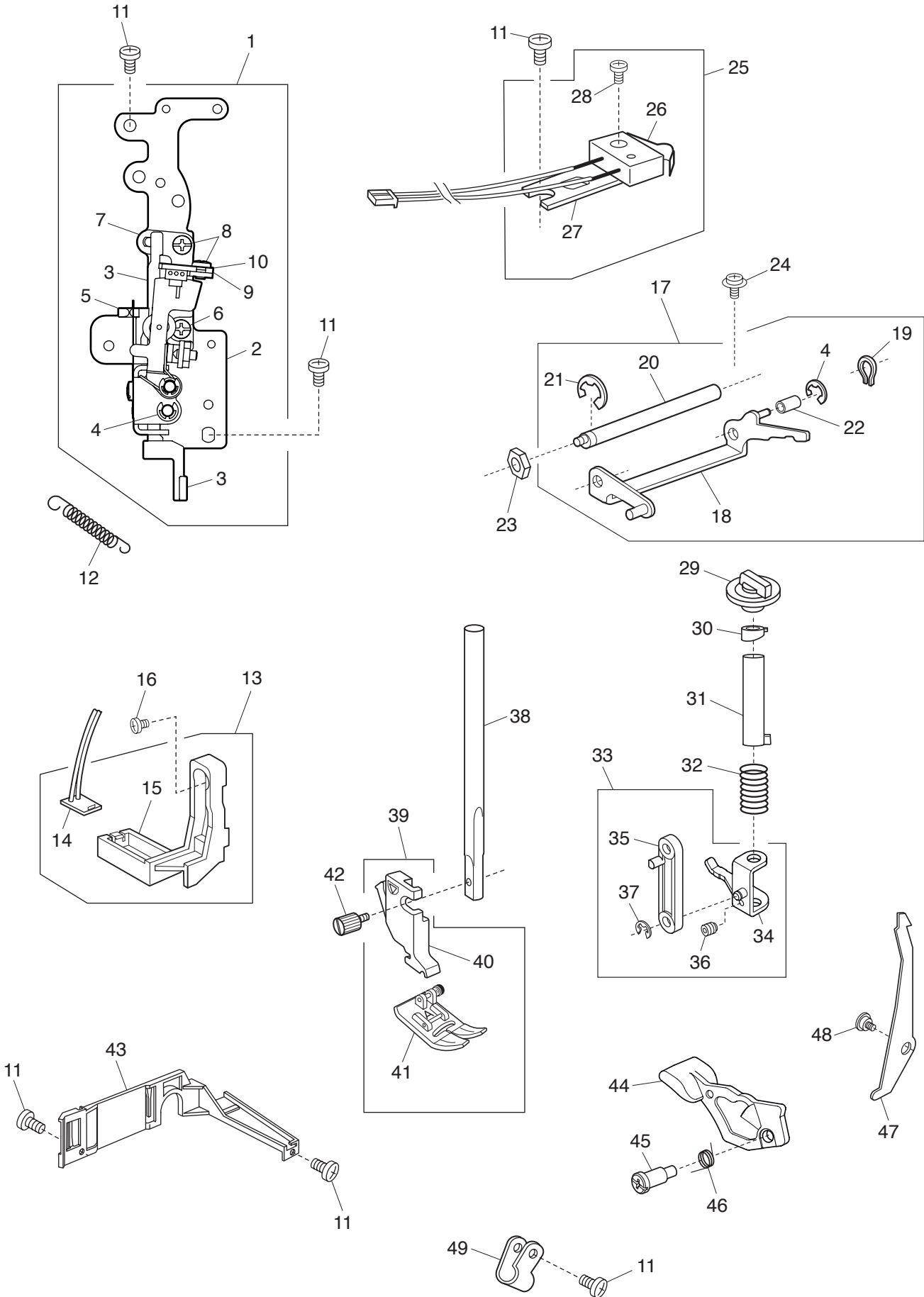
PARTS LIST



PARTS LIST

KEY NO.	PARTS NO.	DESCRIPTION
1	861606016	Needle plate (unit)
2	861013032	Needle plate
3	861014000	Hook cover plate supporter
4	809134005	Hook cover plate supporter base
5	809135006	Guide holder
6	809137008	Cutter
7	000014306	Snap ring CS-3
8	825016000	Hook cover plate release button
9	825017001	Spring
10	809044203	Rotation stopper
11	000097613	Setscrew 2x4
12	820374004	Setscrew 2x2.3
13	859046004	Needle plate sensor block
14	859047016	Spring
15	000169709	Setscrew 2x2.3
16	859245005	Spring 2
17	859271000	Guide plate
18	000102807	Setscrew 2x4
19	859272104	Rubber sheet
20	809184000	Spring
21	809136100	Hook cover plate
22	863681206	Belt cover (unit)
23	863188208	Belt cover
24	863189003	Belt cover ornamental panel 1
25	863190007	Belt cover ornamental panel 2
26	000149002	Setscrew 3x10
27	000081005	Setscrew 4x8
28	745033002	Cap
29	000115205	Setscrew TP 4x6
30	000115009	Setscrew TP 3x8
31	863001011	Base cover
32	000161206	Setscrew 3x10 (B)
33	860003025	Needle plate nut set plate
34	810220106	Setscrew
35	859270009	Needle plate positioning pin
36	000111201	Hexagonal socket screw 4x4
37	859247018	Needle plate adjusting plate
38	859671107	Needle plate sensor (unit)
39	859524104	Switch (unit)
40	755096004	Setscrew
41	859246006	Switch set plate
42	000193001	Setscrew TP 4x6
43	861601011	Arm sole (front side) (unit)
44	861002016	Arm sole (front side)
45	858162004	Spring
46	605074008	Rubber foot
47	820350004	Adjusting screw
48	000014409	Snap ring CS-8
49	000148403	Setscrew 6x12 (S)
50	861603013	Arm sole (rear side) (unit)
51	861003017	Arm sole (rear side)
52	000141107	Bushing
53	000119106	Setscrew TP 4x10
54	647009002	Rubber foot

PARTS LIST



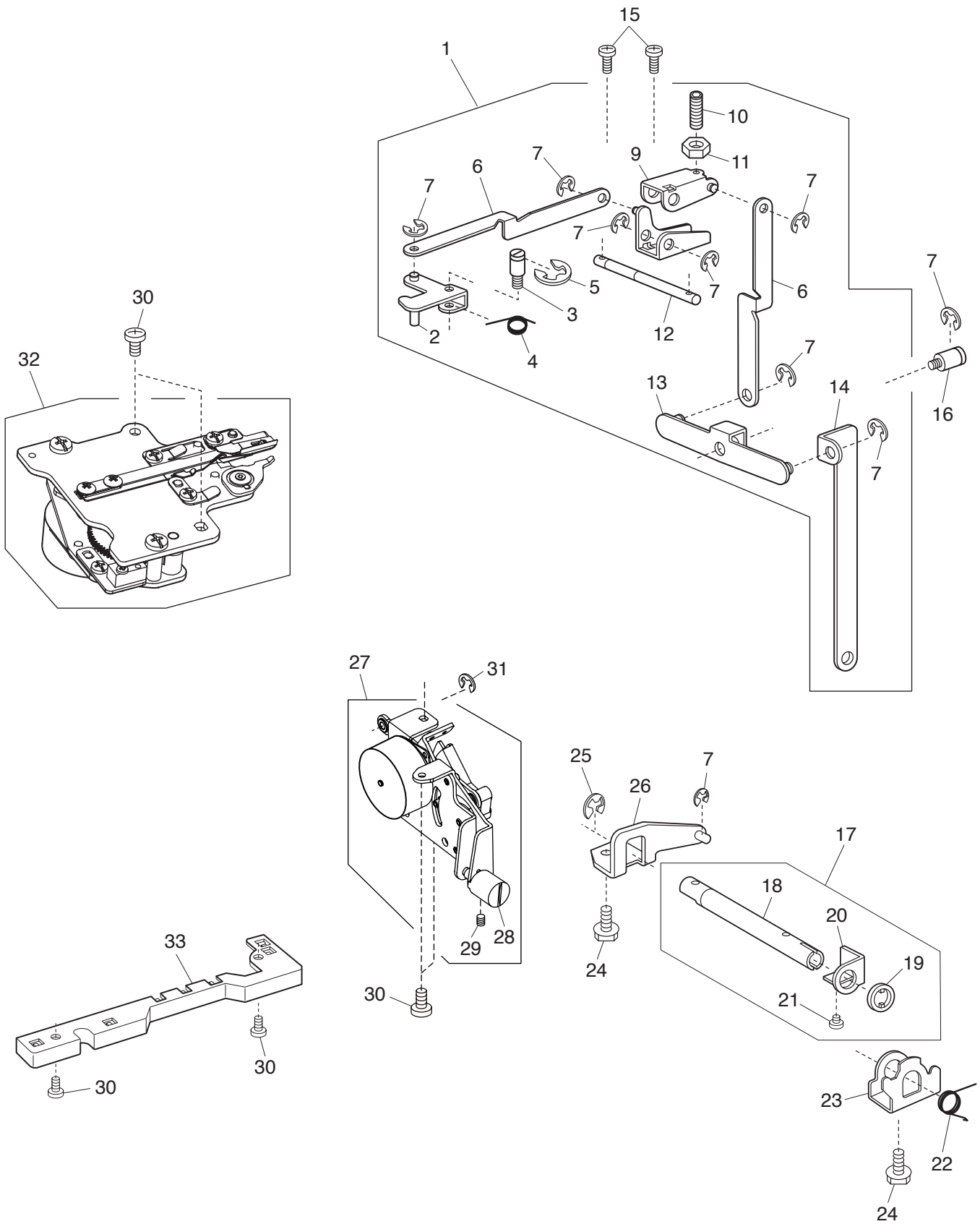
PARTS LIST

KEY NO.	PARTS NO.	DESCRIPTION
1	863606403	Front bracket (unit)
2	861030013	Front bracket
3	808673307	Buttonhole lever (unit)
4	000002105	Snap ring E-3
5	830057021	Buttonhole lever guide
6	000103808	Setscrew 3x5
7	861031003	Sensor base plate
8	000101105	Setscrew 3x4
9	852502312	Printed circuit board G1 (unit)
10	853028002	Insulation sheet
11	000081005	Setscrew 4x8
12	858312001	Needle bar supporter spring
13	861665507	LED cover (unit)
14	859525817	Printed circuit board L2 (unit)
15	859232021	LED cover
16	000078319	Setscrew 3x6
17	861616101	Presser foot actuator arm (unit)
18	861035007	Presser foot actuator arm
19	000014605	Snap ring 6
20	830060005	Presser foot actuator arm
21	000001609	Snap ring E-5
22	861034006	Bushing
23	000061205	Nut 4-3-7
24	000115629	Setscrew TP 4x8
25	861617009	Presser foot lifter switch (unit)
26	652520099	Micro switch (unit)
27	861029008	Micro switch set plate
28	000102900	Setscrew 2x8
29	858136102	Presser foot pressure adjusting dial
30	858155004	Presser foot pressure adjusting cam
31	858028007	Presser bar bushing
32	861026005	Presser bar spring
33	863614002	Presser bar supporter (unit)
34	863012004	Presser bar supporter
35	861028007	Presser bar link
36	000111500	Hexagonal socket screw 4x8
37	000002507	Snap ring E-4
38	827021200	Presser bar
39	867819001	Presser foot (unit)
40	867542000	Presser foot holder (unit)
41	859802006	Zigzag foot (unit)
42	858274000	Thumbscrew
43	861078002	Cord guide
44	863011014	Presser foot lifter lever
45	865049006	Setscrew
46	859029001	Spring
47	861067008	Tension release lever
48	859273002	Setscrew
49	000188601	Nylon clip ACC-2.5

PARTS LIST

KEY NO.	PARTS NO.	DESCRIPTION	KEY NO.	PARTS NO.	DESCRIPTION
1	863673009	Needle bar supporter (unit)	51	862133010	Thread guide plate
2	869021004	Needle bar supporter	52	000101105	Setscrew 3x4
3	000111902	Hexagonal socket screw 3x4	53	000114709	Setscrew TP 3x6
4	735144006	Needle bar supporter pin	54	861629004	Zigzag width motor (unit)
5	000002507	Snap ring E-4	55	861055014	Motor cover
6	000070609	Washer 6	56	846615103	Needle bar crank (unit)
7	673022002	Washer	57	843543007	Needle bar crank pin (unit)
8	858538005	Needle bar (unit)	58	650040005	Felt
9	858540000	Rotation pin stopper (unit)	59	650041006	Spring
10	846515009	Needle bar supporter (unit)	60	863675104	Thread tension (unit)
11	869022005	Needle bar supporter spring	61	834604308	Solenoid (unit)
12	858541001	Threader guide ring (unit)	62	000103509	Setscrew 4x10
13	829027006	Supporter guide plate	63	850212017	Spring
14	869608001	Threader shaft (unit)			
15	869023006	Threader shaft			
16	000265500	Guide pin E-2x12-CH			
17	000265603	Guide pin E-2x6-CH			
18	869024A01	Threader arm			
19	869025008	Cam pin			
20	869026009	Needle threader spring			
21	539061004	Washer			
22	869609002	Thread guide base (unit)			
23	869610006	Hook holder (unit)			
24	000001207	Snap ring E-2.5			
25	000003508	Spring pin 2x8			
26	869030006	Needle threader return spring			
27	869031007	Spring supporter			
28	000103808	Setscrew 3x5			
29	869037003	Thread release plate			
30	000081500	Setscrew 3x12			
31	000014100	Snap ring CS-2			
32	861630008	Zigzag width rod (unit)			
33	808015006	Zigzag width rod			
34	827088009	Zigzag width rod spring			
35	820373003	Setscrew 2x3			
36	863127003	Washer			
37	678084306	Eccentric pin			
38	000111201	Hexagonal socket screw 4x4			
39	647814031	Needle			
40	827083004	Supporter guide pin			
41	000216805	Hexagonal socket screw 3x3			
42	863666009	Needle threader lever (unit)			
43	863164013	Needle threader lever			
44	863166004	Needle threader shaft retaining plate			
45	863165003	Needle threader lever shaft			
46	000002301	Snap ring E-2			
47	861167009	Needle threader lever spring			
48	000081005	Setscrew 4x8			
49	862651112	Arm thread guide (unit)			
50	862081115	Arm thread guide			

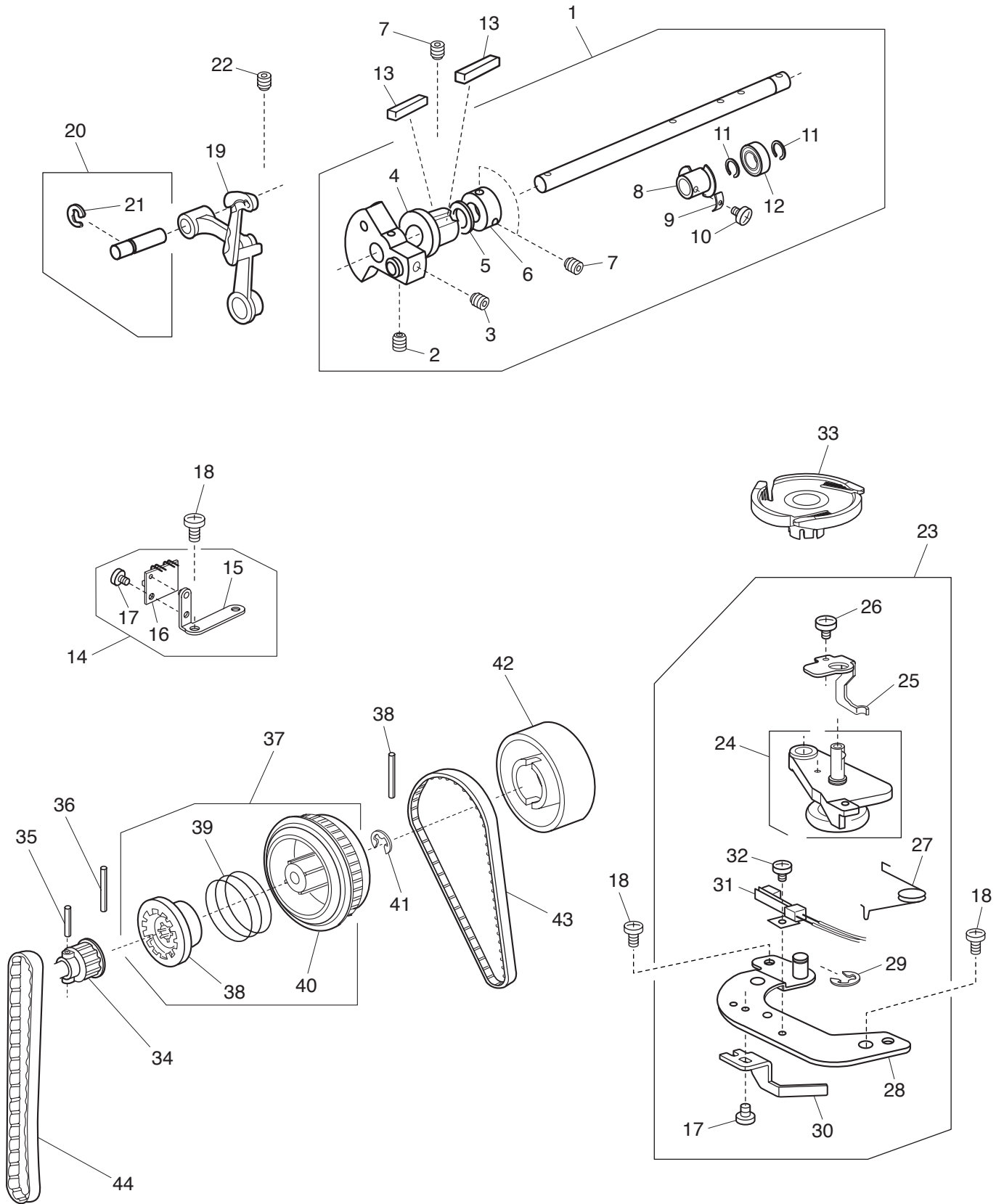
PARTS LIST



PARTS LIST

KEY NO.	PARTS NO.	DESCRIPTION
1	861633001	Knee lifter link (unit)
2	861058006	Knee lifter link (1)
3	861059007	Knee lifter link (1) shaft
4	861065006	Knee lifter link (1) spring
5	000001609	Snap ring E-5
6	861060001	Knee lifter rod (1)
7	000002507	Snap ring E-4
8	860053008	Knee lifter link (2)
9	861061002	Knee lifter link (3)
10	000196406	Hexagonal socket screw 4x25
11	000061205	Nut 4-3-7
12	861062003	Knee lifter link (2) shaft
13	861063004	Knee lifter middle link
14	861064005	Knee lifter link (4)
15	000103303	Setscrew 3.5x12
16	686063005	Setscrew
17	861632000	Knee lifter shaft (unit)
18	861057005	Knee lifter shaft
19	846297002	Stopper
20	861072006	Stopper plate
21	000101105	Setscrew 3x4
22	858091001	Knee lifter stopper spring
23	861154003	Knee lifter stopper
24	000138503	Hexagonal socket screw 5x12
25	000002208	Snap ring E-9
26	861066007	Knee lifter shaft arm
27	861628209	Feed motor (unit)
28	859215006	Feed balancing dial
29	000110200	Hexagonal socket screw 4x4 (WP)
30	000081005	Setscrew 4x8
31	000002105	Snap ring E-3
32	861631010	Automatic thread cutter (unit)
33	861077001	Cord guide (free arm)

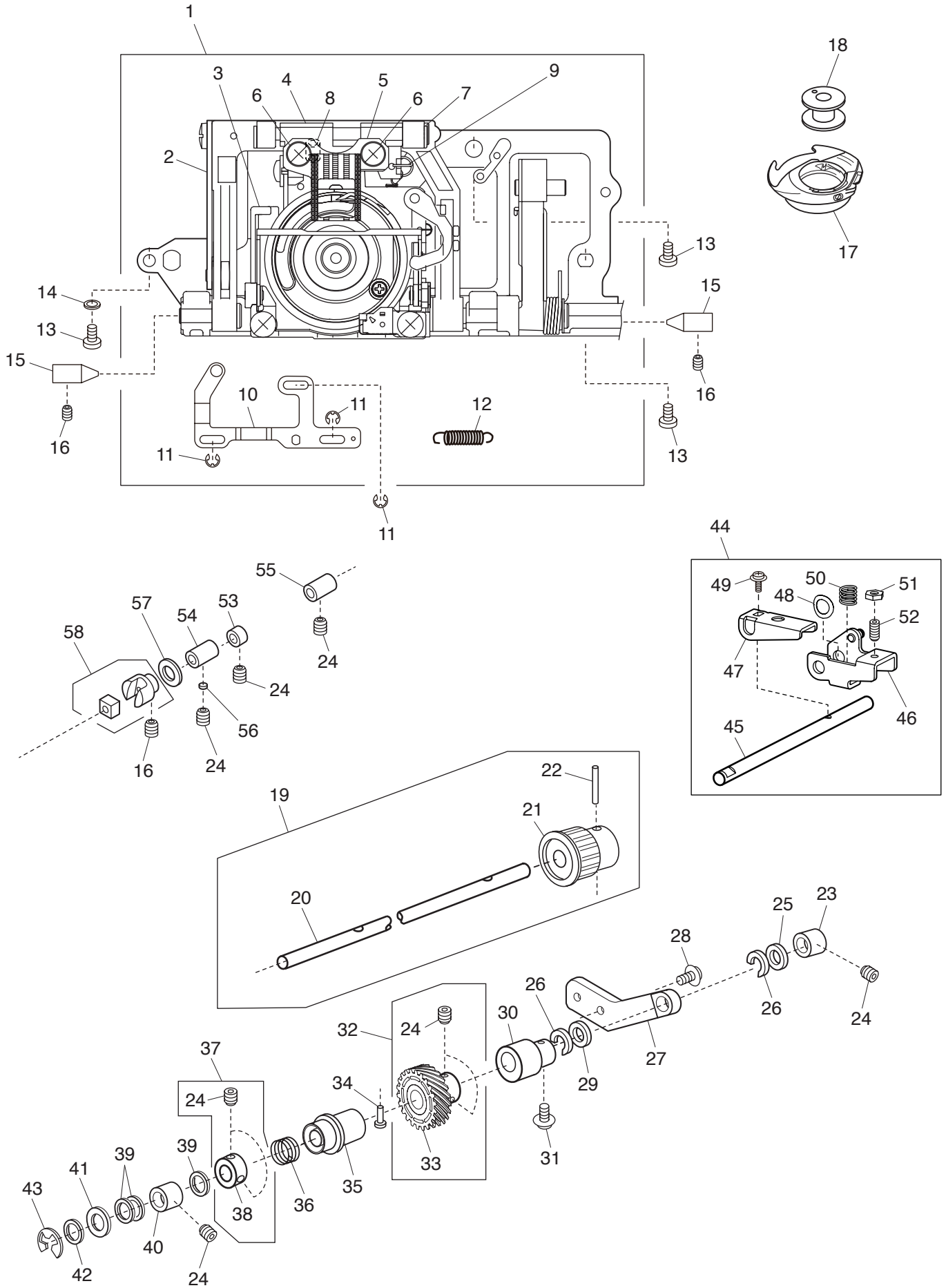
PARTS LIST



PARTS LIST

KEY NO.	PARTS NO.	DESCRIPTION
1	861619104	Upper shaft (unit)
2	000111706	Hexagonal socket screw 5x8
3	000110901	Hexagonal socket screw 5x4
4	670079201	Upper shaft front bushing
5	000040105	Washer
6	767077006	Ring
7	000111304	Hexagonal socket screw 5x5
8	859055006	Upper shaft shield plate
9	859033008	Shield plate washer
10	000080406	Setscrew 3x10
11	000032702	Snap ring crescent
12	767178101	Ball bearing 6901ZZ
13	731312005	Felt
14	861620201	Upper shaft sensor (unit)
15	861039001	Sensor set plate
16	807505304	Printed circuit board P (unit)
17	000101105	Setscrew 3x4
18	000081005	Setscrew 4x8
19	820511108	Thread take-up lever (unit)
20	650626001	Thread take-up lever pin (unit)
21	000002806	Snap ring E-6
22	000111201	Hexagonal socket screw 4x4
23	861636314	Bobbin winder (unit)
24	861503034	Bobbin winder
25	861096006	Clutch lever
26	000120203	Setscrew 3x8 (B)
27	861091001	Bobbin winder arm spring
28	861092002	Bobbin winder set plate
29	000001609	Snap ring E-5
30	861098008	Guide plate
31	856512203	Leaf switch (unit)
32	000081706	Setscrew 2.5x5
33	809619009	Thread cutter holder (unit)
34	858052000	Upper shaft gear
35	000004303	Spring pin 3x20
36	000024206	Spring pin 3x30
37	858647008	Belt wheel (unit)
38	858053001	Clutch ring
39	502065004	Clutch spring
40	858054002	Belt wheel
41	000030009	Snap ring E-10
42	858055003	Handwheel
43	846098104	Timing belt 178
44	858118108	Timing belt 168

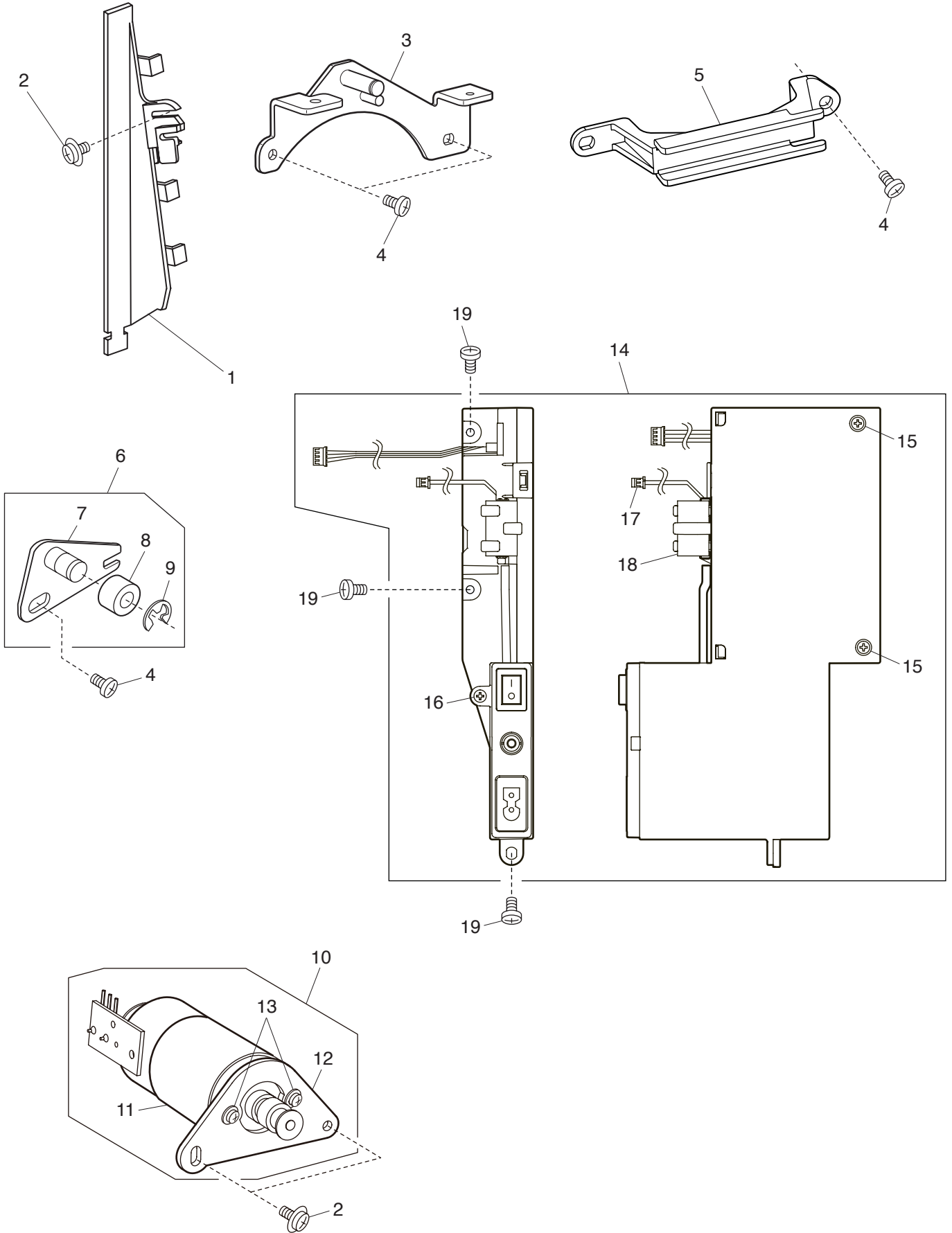
PARTS LIST



PARTS LIST

KEY NO.	PARTS NO.	DESCRIPTION	KEY NO.	PARTS NO.	DESCRIPTION
1	861625608	Feed rock shaft (whole unit)	51	000160102	Adjustable lock nut 4
2	846629100	Feed rock shaft (unit)	52	000177401	Hexagonal socket screw 4x12
3	861626104	Hook race (unit)	53	820387000	Ring
4	859639103	Feed base (unit)	54	625144002	Feed shaft bushing (front)
5	867033003	Feed dog	55	650092002	Feed shaft bushing (rear)
6	000104005	Setscrew 3.5x8	56	650175000	Cushion
7	825099007	Feed base shaft	57	823110009	Felt
8	000111407	Hexagonal socket screw 4x6	58	625508008	Feed regulator (unit)
9	825103005	Feed base spring			
10	858138001	Drop plate			
11	000002105	Snap ring E-3			
12	661018008	Spring			
13	000081005	Setscrew 4x8			
14	000070506	Washer 4			
15	738055008	Straight pin			
16	000111304	Hexagonal socket screw 5x5			
17	858570009	Bobbin holder (unit)			
18	102261103	Bobbin			
19	861621006	Lower shaft (unit)			
20	861040005	Lower shaft			
21	650073007	Lower shaft gear			
22	000004200	Spring pin 3x18			
23	650079003	Lower shaft bushing (rear)			
24	000111201	Hexagonal socket screw 4x4			
25	822070003	Felt (1)			
26	822112008	Felt holder (1)			
27	858058006	Lower shaft supporter			
28	000115700	Setscrew TP 4x10			
29	861051009	Felt			
30	846379009	Feed cam			
31	000149600	Setscrew 3x14			
32	863663006	Lower shaft gear (unit)			
33	808137005	Lower shaft gear			
34	820161006	Feed lifting pin			
35	846103000	Feed lifting cam			
36	825093001	Feed lifting cam spring			
37	820672005	Lower shaft ring (unit)			
38	820166001	Lower shaft ring			
39	000038502	Washer			
40	858060001	Lower shaft bushing (front)			
41	735143005	Felt			
42	858177002	Lower shaft washer			
43	000002806	Snap ring E-6			
44	861627002	Feed shaft (unit)			
45	861048003	Feed shaft			
46	858129009	Feed arm (1)			
47	858130003	Feed arm (2)			
48	810207004	Washer			
49	000201302	Setscrew TP 3x10			
50	589040002	Spring			

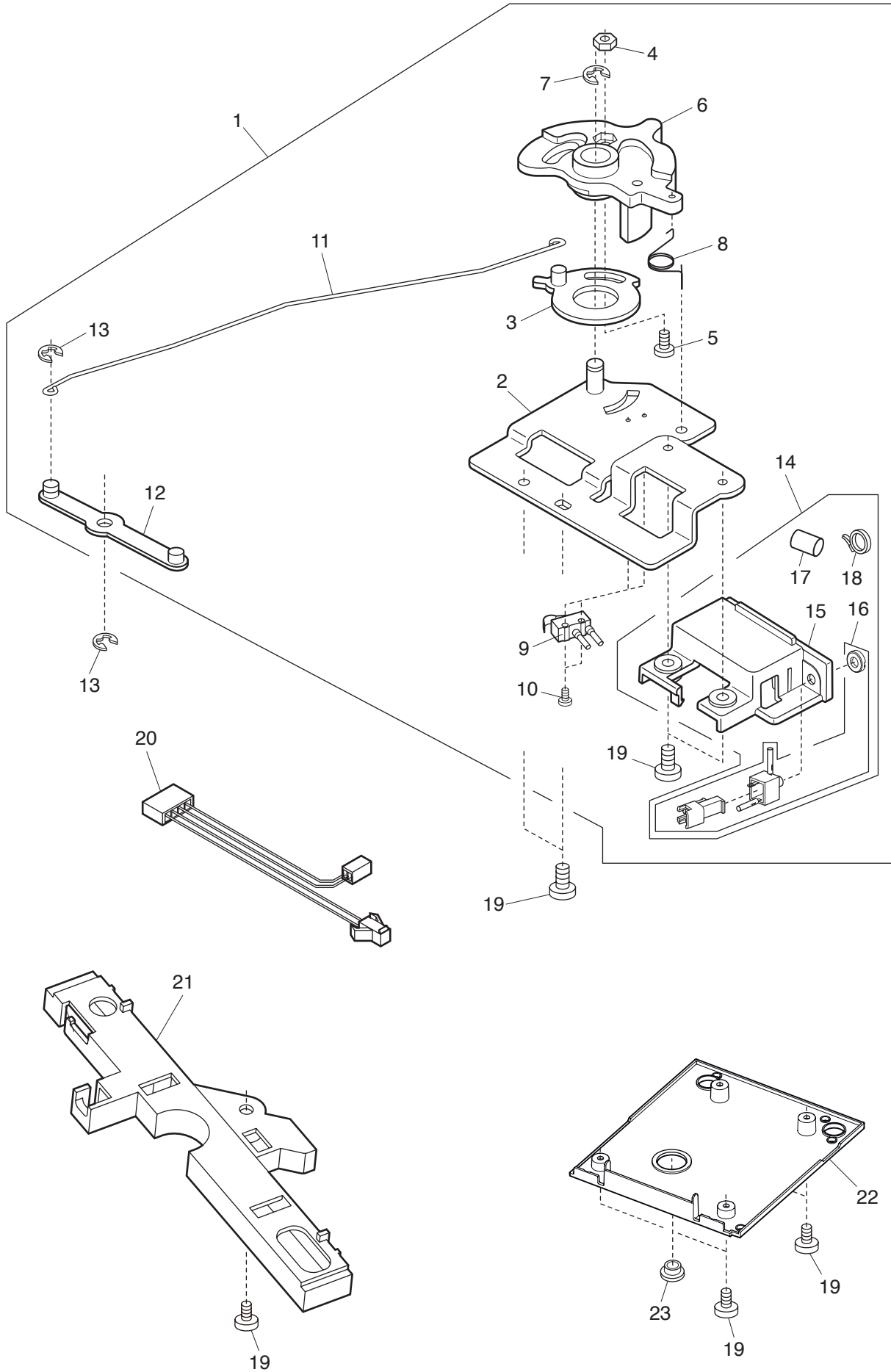
PARTS LIST



PARTS LIST

KEY NO.	PARTS NO.	DESCRIPTION
1	858145012	Cord guide plate
2	000115607	Setscrew TP 4x8
3	863185009	Carrying handle supporter (rear)
4	000081005	Setscrew 4x8
5	861168000	Cord guide
6	860608004	Idler (unit)
7	860021007	Idler base
8	625217100	Idler
9	000002806	Snap ring E-6
10	858639100	DC motor (unit)
11	843518807	DC motor
12	858117004	DC motor bracket
13	000115009	Setscrew TP 3x8
14	863612103	Switching power supply (unit) (U.S.A.) (Canada)
	863652507	Switching power supply (unit) (Australia) (Continental Europe)
15	000119704	Setscrew 3x14 (B)
16	000161206	Setscrew 3x10 (B)
17	863505102	TRS connector cord (U.S.A.) (Canada)
	863505308	TRS connector cord (Australia) (Continental Europe)
18	808108007	Ferrite core (Australia) (Continental Europe)
19	000103509	Setscrew 4x10

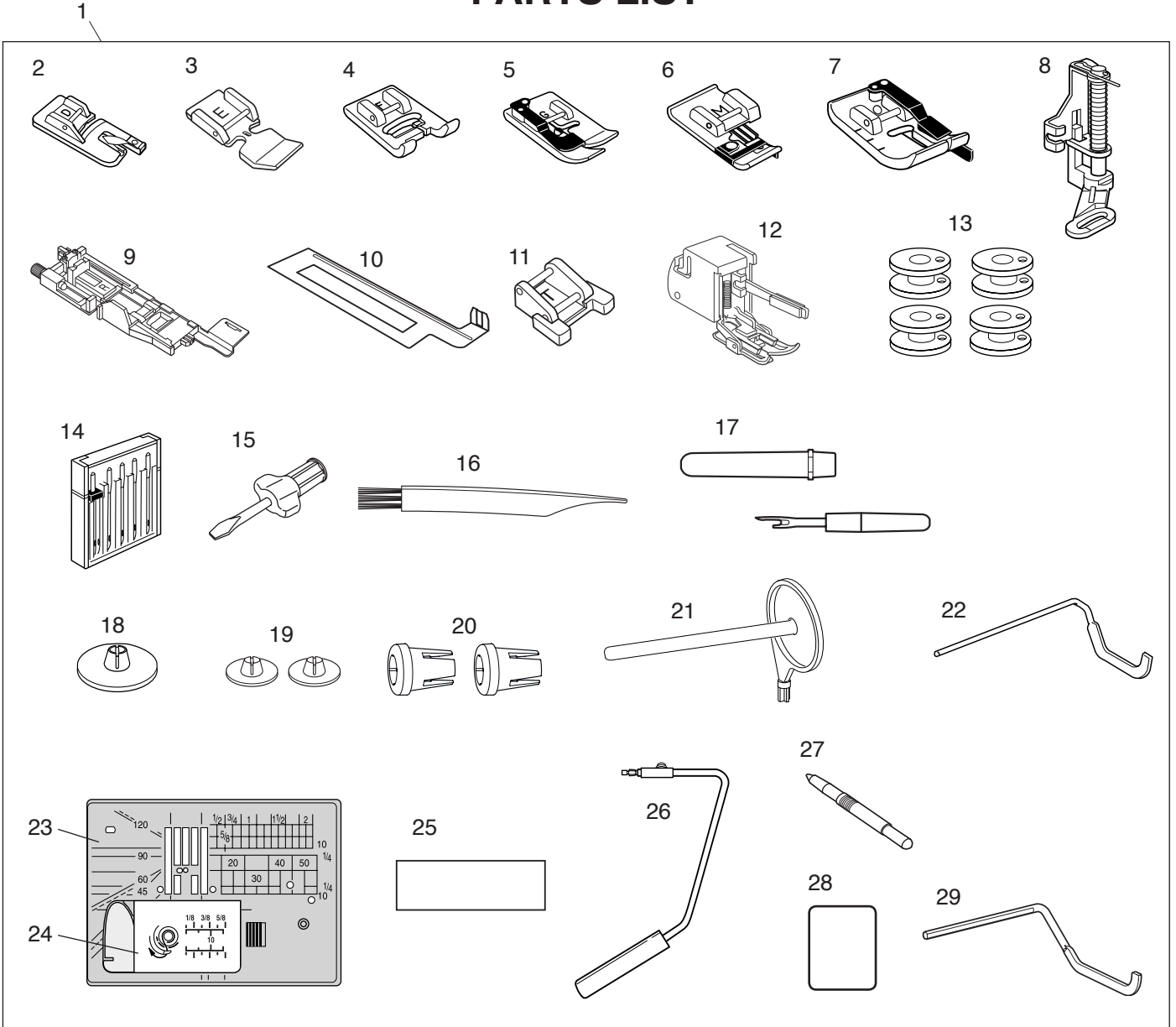
PARTS LIST



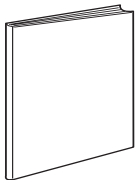
PARTS LIST

KEY NO.	PARTS NO.	DESCRIPTION
1	863680102	Feed dog drop lever (unit) (U.S.A.) (Canada)
	863680401	Feed dog drop lever (unit) (Australia) (Continental Europe)
2	863186000	Feed dog drop lever base
3	858142008	Feed dog drop lever connecting plate
4	000061803	Nut 3-3-5.5
5	000066705	Setscrew 3x8
6	858143009	Feed dog drop lever
7	000002507	Snap ring E-4
8	863187001	Spring
9	652520147	Micro switch (unit)
10	000102900	Setscrew 2x8
11	863123009	Rod
12	858139002	Drop connecting block
13	000002105	Snap ring E-3
14	863622003	Printed circuit board B case (unit) (U.S.A.) (Canada)
	863622106	Printed circuit board B case (unit) (Australia) (Continental Europe)
15	861090022	Printed circuit board B case
16	767541202	Jack cord (U.S.A.) (Canada)
	767541305	Jack cord (Australia) (Continental Europe)
17	863504008	Ferrite core (Australia) (Continental Europe)
18	000053101	Cord binder (Australia) (Continental Europe)
19	000081005	Setscrew 4x8
20	863503100	Relay cord
21	858159101	Cord guide 2
22	863029004	Base plate
23	626045407	Cap

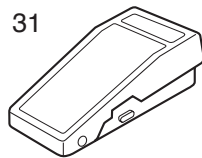
PARTS LIST



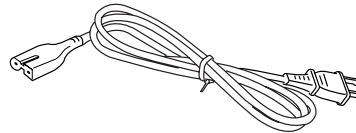
30



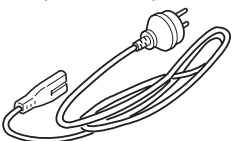
31



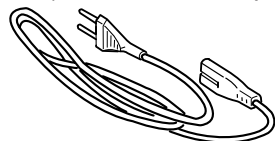
32 (U.S.A.) (Canada)



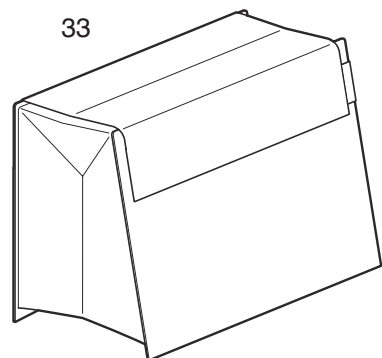
32 (Australia)



32 (Continental Europe)



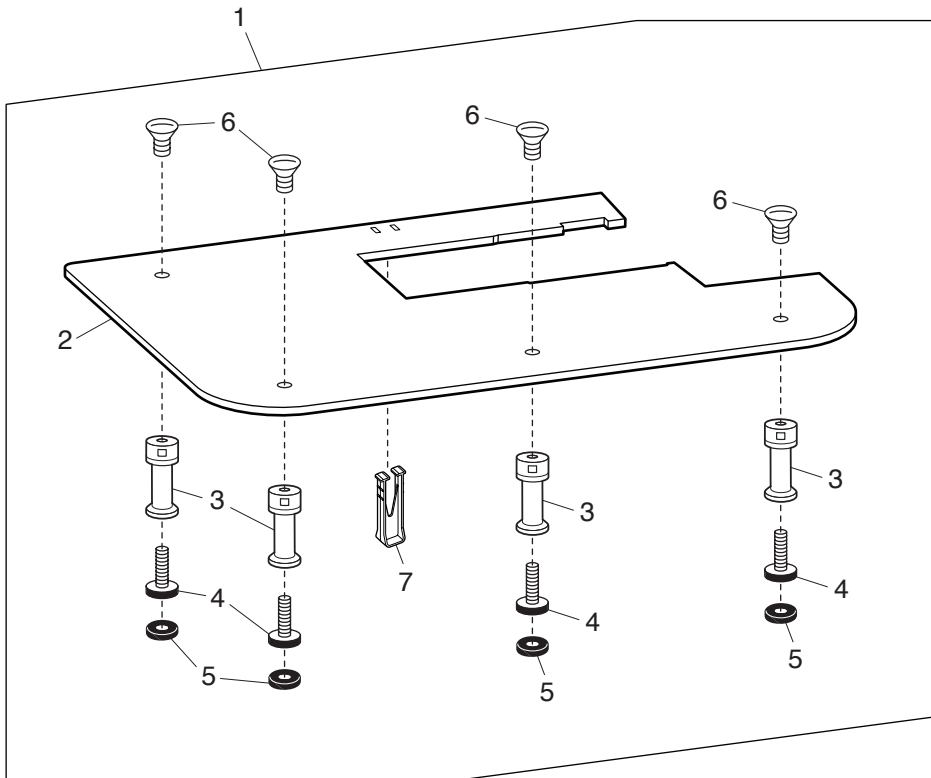
33



PARTS LIST

KEY NO.	PARTS NO.	DESCRIPTION
1	863870248	Accessory set
2	859804008	Rolled hem foot D
3	859805009	Zipper foot E
4	859806011	Satin stitch foot F
5	859807001	Blind hemming foot G
6	859810007	Overcasting foot M
7	859814012	1/4" Seam foot O
8	859839002	Darning foot PD-H
9	862822013	Automatic buttonhole foot R
10	859832016	Stabilizer plate
11	859811008	Button sewing foot T
12	202137009	Even feed foot
13	102261103	Bobbin
14	859856005	Needle case (unit)
15	820832005	Screwdriver
16	802424004	Lint brush
17	647808009	Seam ripper (buttonhole opener)
18	822020503	Spool holder (large)
19	822019509	Spool holder (small)
20	862408008	Spool holder (special)
21	809041004	Extra spool pin
22	755802001	Quilting guide bar
23	862817118	Straight stitch needle plate
24	809136100	Hook cover plate
25	858801002	Caution card
26	846417011	Knee lifter
27	860194002	Touch panel stylus
28	101506A09	Threading guide sticker
29	214015007	Quilting guide bar (for even feed foot)
30	863850301	Instruction book (English)
	863850323	Instruction book (French)
	863850334	Instruction book (German)
	863850345	Instruction book (Dutch)
31	C-1036	Foot control
32	856519004	Power cable (U.S.A.) (Canada)
	830314018	Power cable (Australia)
	830335004	Power cable (Continental Europe)
33	863422001	Cover

PARTS LIST



PARTS LIST

KEY NO.	PARTS NO.	DESCRIPTION
1	863846005	Extra wide table (unit)
2	861401112	Extra wide table
3	489603006	Table leg (unit)
4	489004001	Table foot
5	491002006	Rubber foot
6	000165509	Setscrew 5x18
7	863401004	Extra wide table supporter
