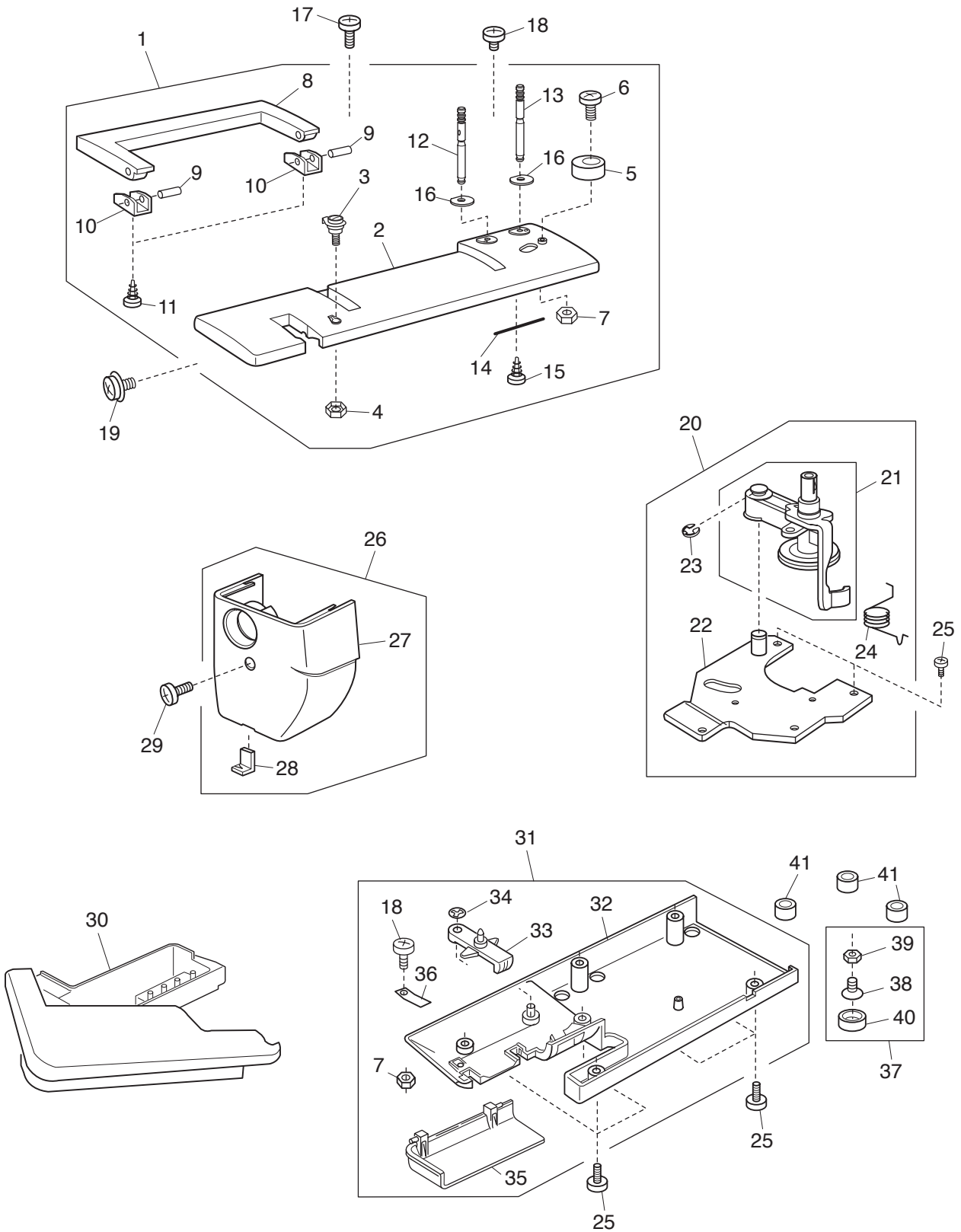


PARTS LIST

MODEL: EJHD523 (Black)

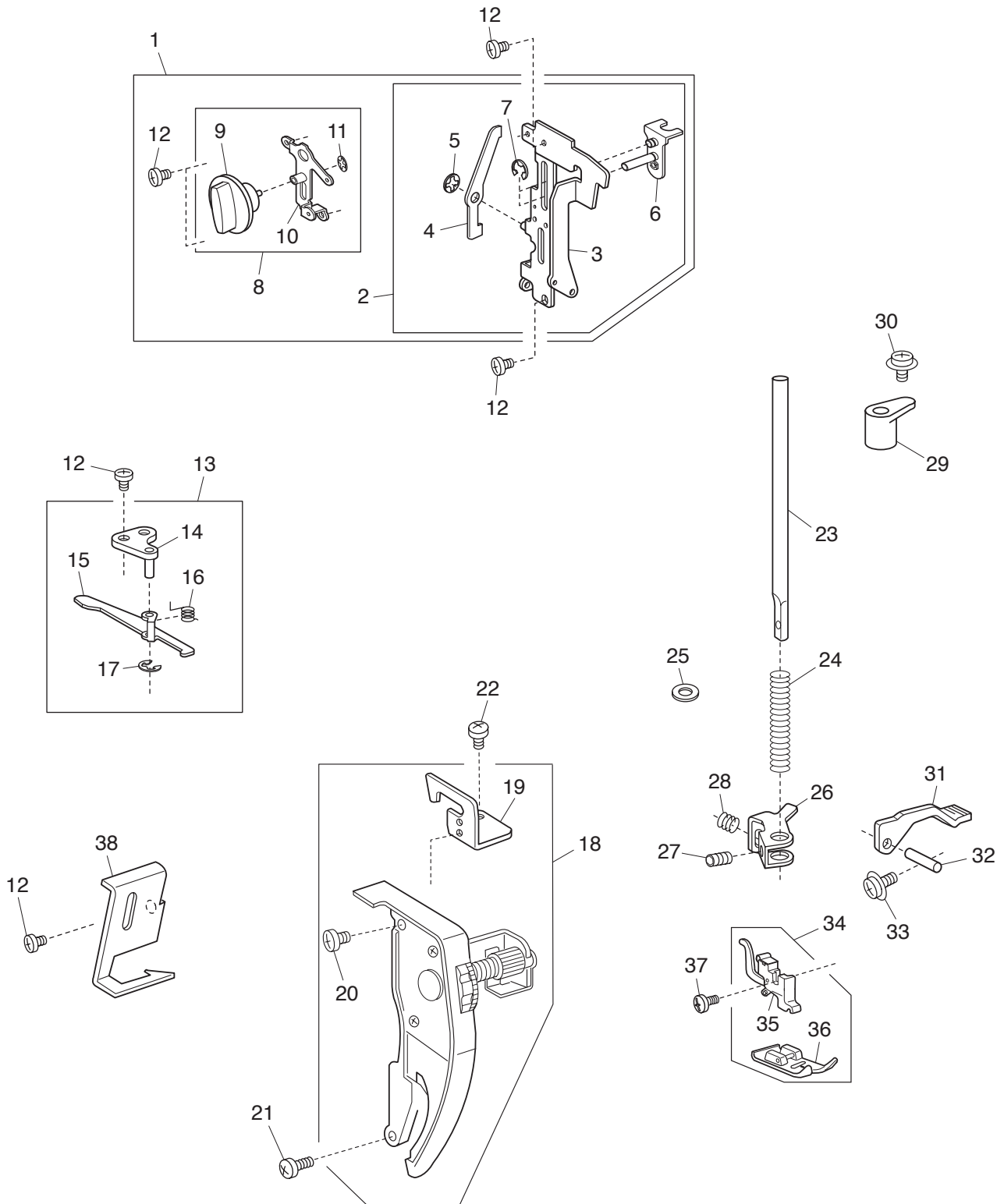
PARTS LIST



PARTS LIST

KEY NO.	PARTS NO.	DESCRIPTION
1	312602602	Top cover (unit)
2	312005B01	Top cover
3	730501011	Thread guide plate (unit)
4	000160102	Adjustable lock nut 4
5	735016503	Bobbin winder stopper
6	000101817	Setscrew 4x16
7	000061205	Nut 4-3-7
8	303010104	Carrying handle
9	730015002	Handle fixing plate pin
10	730016003	Handle fixing plate
11	000107204	Setscrew 3x12 (B)
12	652302004	Spool pin (hole)
13	652205006	Spool pin (no hole)
14	736007009	Spool pin spring
15	000149002	Setscrew 3x10 (B)
16	735013005	Cushion
17	000166706	Setscrew 5x20
18	000101404	Setscrew 4x6
19	000115205	Setscrew TP 4x6
20	312606008	Bobbin winder (unit)
21	312501002	Bobbin winder arm (unit)
22	303012106	Bobbin winder plate
23	000002806	Snap ring E-6
24	303015006	Bobbin winder arm spring
25	000081005	Setscrew 4x8
26	312603050	Face plate (unit)
27	312007B01	Face plate
28	840602604	Thread cutter (unit)
29	000104108	Setscrew 4x20
30	303501118	Extension table (unit)
31	303601500	Base (unit)
32	303003104	Base
33	738060109	Drop lever
34	000013903	Snap ring CS-5
35	303005106	Bed lid
36	730006000	Lid spring
37	303640006	Rubber foot (unit)
38	000097808	Rubber base adjusting screw
39	000061319	Nut 5-1-8
40	639005003	Rubber base
41	647009002	Bed rubber base

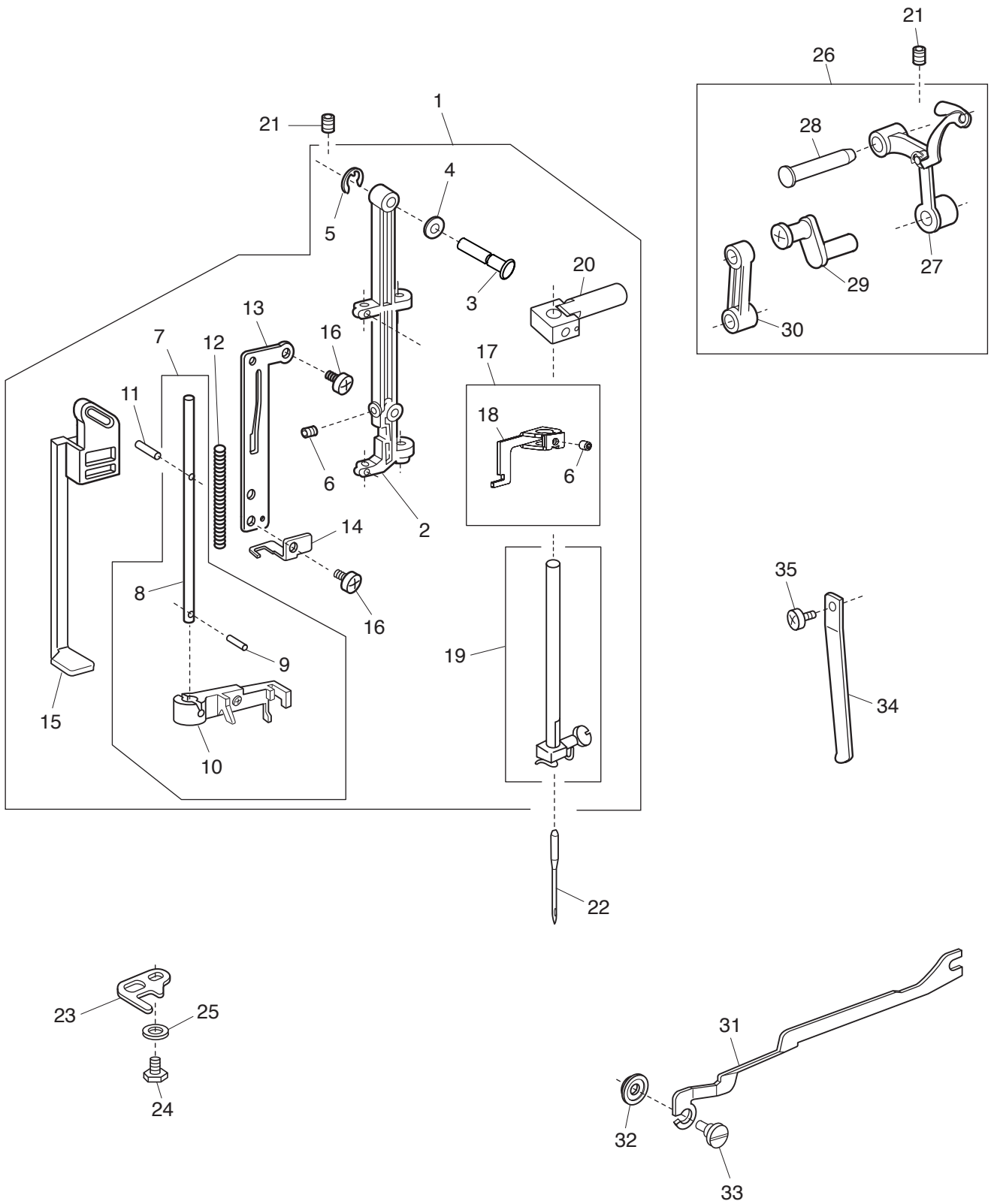
PARTS LIST



PARTS LIST

KEY NO.	PARTS NO.	DESCRIPTION
1	312607308	Front bracket (whole unit)
2	312608000	Front bracket (unit)
3	312012012	Front bracket
4	303019000	Tension release lever
5	000013903	Snap ring CS-5
6	303062008	Presser foot pressure adjusting plate
7	000002507	Snap ring E-4
8	303623106	Pressure adjusting dial (unit)
9	501010012	Pressure adjusting dial
10	303021108	Face cover set plate
11	000014007	Snap ring CS-4
12	000101404	Setscrew 4x6
13	303620000	Tension release arm (unit)
14	739017001	Tension release arm base
15	739018002	Tension release arm
16	303070009	Tension release spring
17	000002105	Snap ring E-3
18	312502173	Thread tension (unit)
19	739016000	Top cover thread guide
20	000103808	Setscrew 3x5
21	000101703	Setscrew 4x12
22	000081005	Setscrew 4x8
23	303017019	Presser bar
24	826006000	Presser bar spring
25	102061008	Washer
26	822069009	Presser bar bracket
27	000111500	Hexagonal socket screw 4x8
28	102222009	Presser regulator spring
29	652104004	Presser bar bushing
30	000115205	Setscrew TP 4x6
31	822071004	Presser foot lifter
32	822072005	Presser foot lifter pin
33	000115700	Setscrew TP 4x10
34	611520003	Presser foot (unit)
35	611510000	Foot holder (unit)
36	611511001	Zigzag foot (unit)
37	660106001	Thumbscrew
38	303008006	Arm thread guide

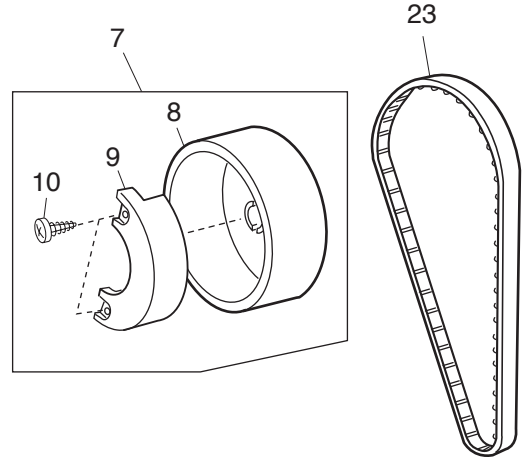
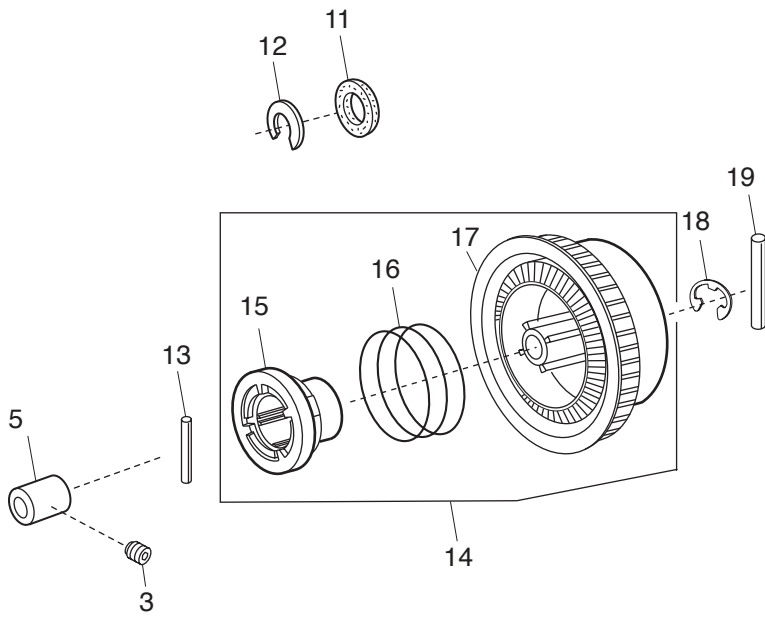
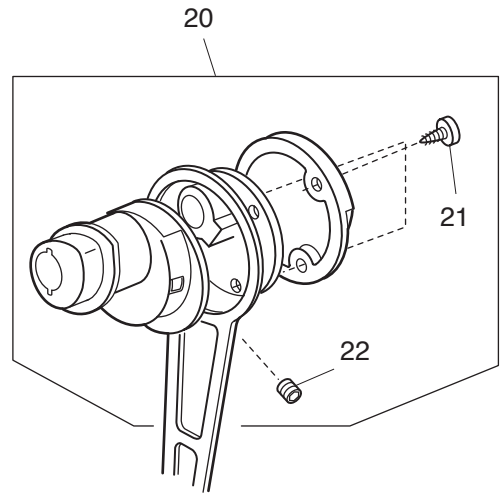
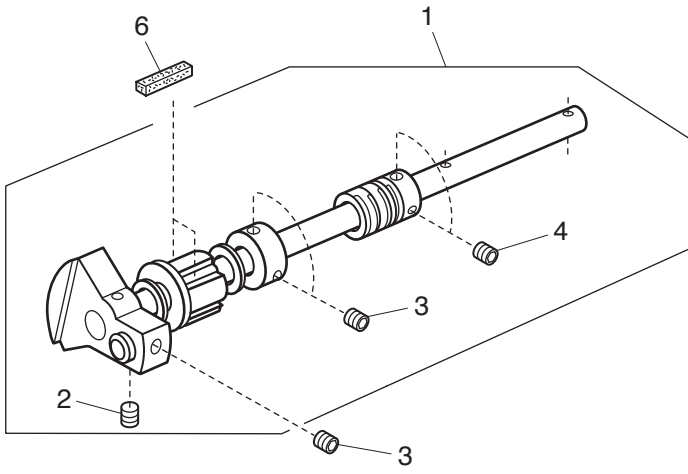
PARTS LIST



PARTS LIST

KEY NO.	PARTS NO.	DESCRIPTION
1	303604008	Needle bar supporter (unit)
2	303020107	Needle bar supporter
3	730022002	Needle bar supporter pin
4	673022002	Spring washer
5	000002507	Snap ring E-4
6	000111902	Hexagonal socket screw 3x4
7	303605009	Threader shaft (unit)
8	303016007	Threader shaft
9	000003508	Spring pin 2x8
10	755643002	Threader plate (unit)
11	000125105	Guide pin E-2x16-CH
12	840035002	Needle threader spring
13	303064000	Threader guide plate
14	840037004	Threader lever plate
15	840034001	Threader lever
16	000078319	Setscrew 3x6
17	807607008	Threader positioning plate (unit)
18	807018006	Threader positioning plate
19	730503116	Needle bar (unit)
20	301504104	Needle bar connecting stud (unit)
21	000111304	Hexagonal socket screw 5x5
22	102408089	Needle
23	680036001	Stopper
24	000066303	Bolt 4x6
25	000070506	Washer 4
26	726615108	Thread take-up lever (whole unit)
27	625506109	Thread take-up lever (unit)
28	647040108	Thread take-up lever pin
29	730509008	Needle bar crank pin (unit)
30	680032007	Needle bar crank rod
31	722033001	Zigzag rod
32	748021006	Zigzag rod washer
33	678084007	Eccentric pin
34	730024004	Needle bar supporter spring
35	000101404	Setscrew 4x6

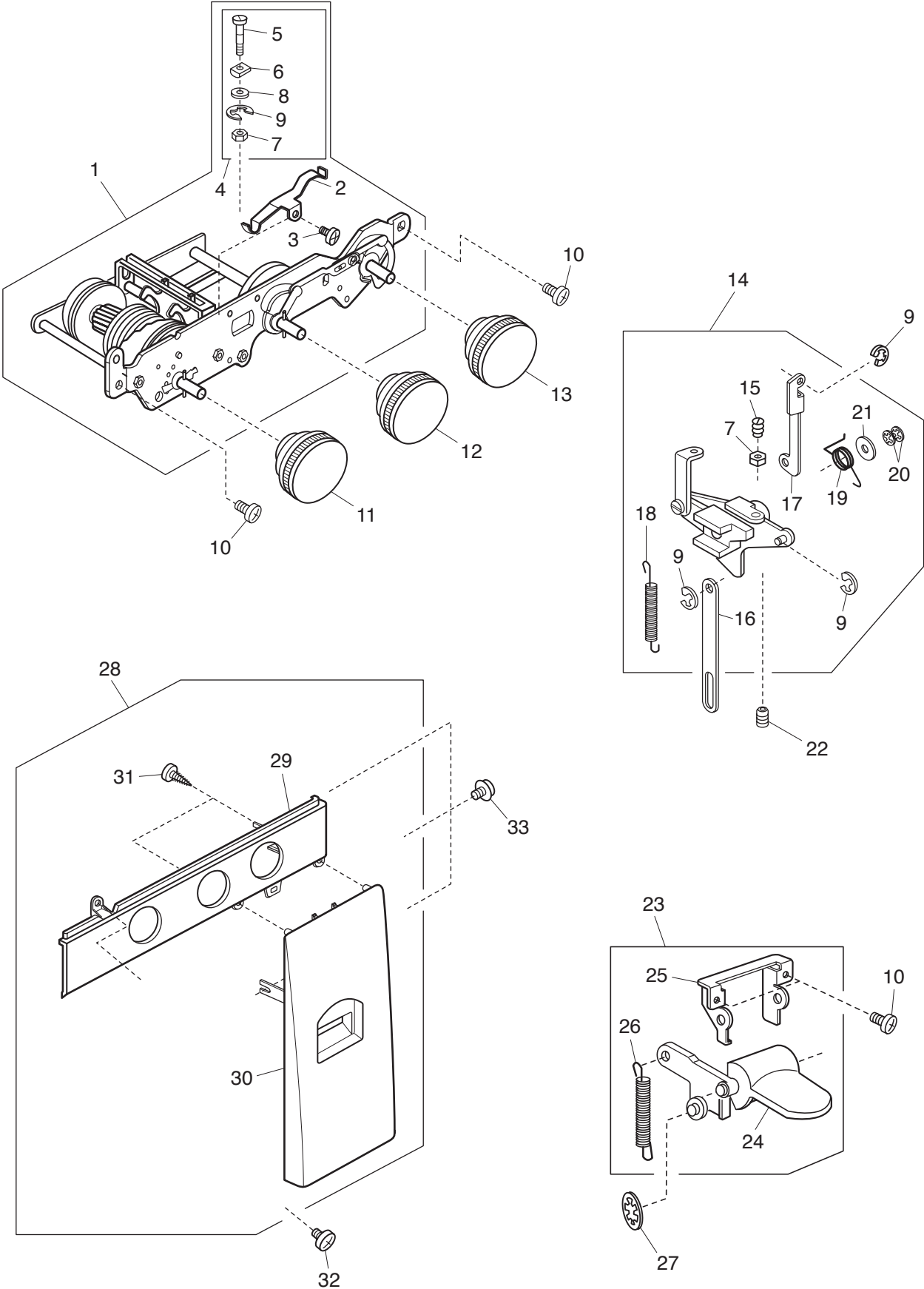
PARTS LIST



PARTS LIST

KEY NO.	PARTS NO.	DESCRIPTION
1	312609012	Upper shaft (unit)
2	000111706	Hexagonal socket screw 5x8
3	000111304	Hexagonal socket screw 5x5
4	000111201	Hexagonal socket screw 4x4
5	732003003	Upper shaft rear bushing
6	731312005	Felt
7	303645193	Handwheel (unit)
8	303026125	Handwheel
9	303093008	Balance weight
10	000161206	Setscrew 3x10 (B)
11	743029009	Felt
12	310069007	Felt holder
13	000024206	Spring pin 3x30
14	303641007	Belt wheel (unit)
15	502064003	Clutch ring
16	502065004	Clutch spring
17	303025009	Belt wheel
18	000030205	Snap ring E-8
19	000023803	Spring pin 4x40
20	726606003	Crank rod (unit)
21	000161309	Setscrew 3x12 (B)
22	000110107	Hexagonal socket screw 5x5 (WP)
23	738046109	Timing belt

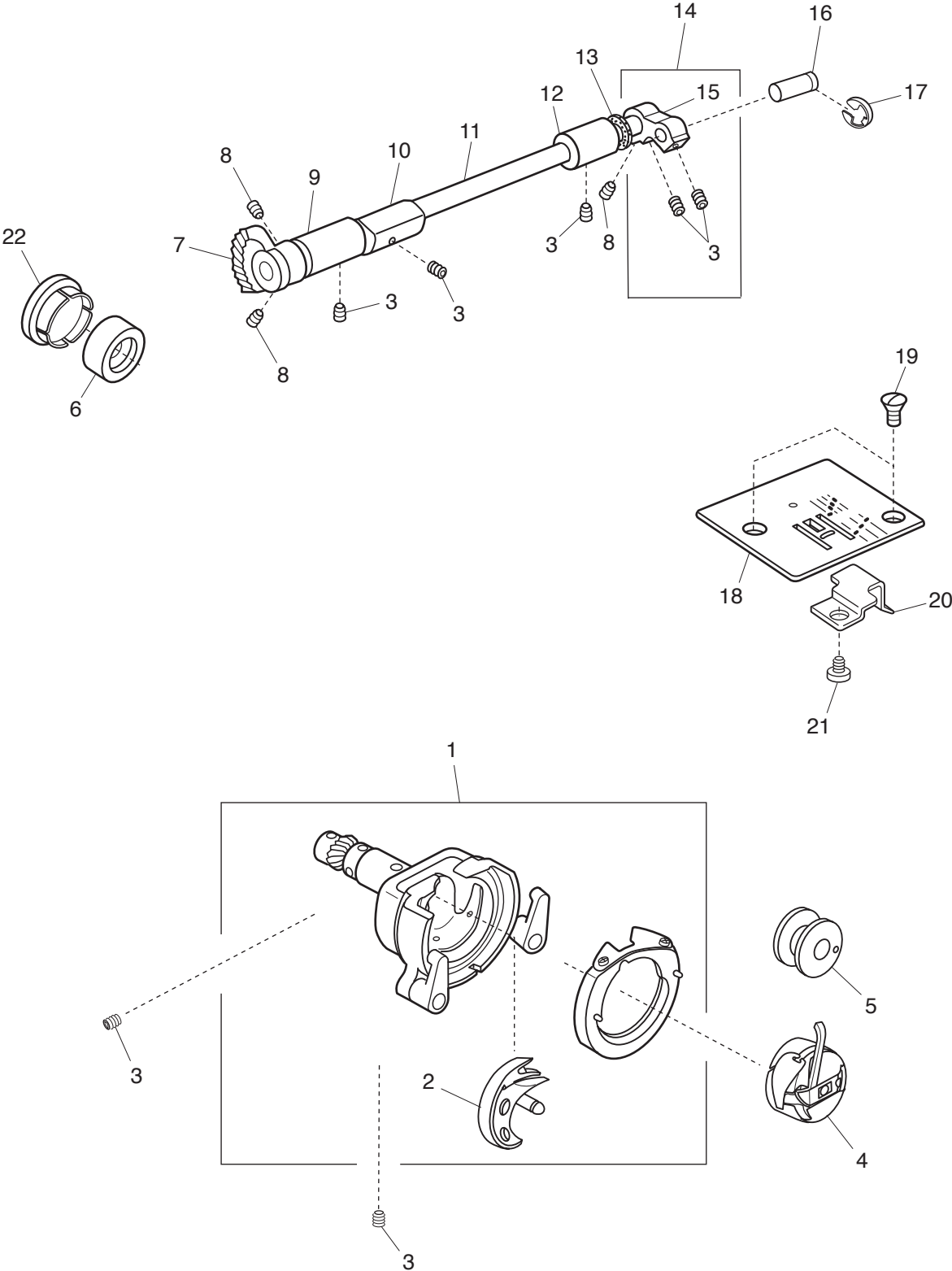
PARTS LIST



PARTS LIST

KEY NO.	PARTS NO.	DESCRIPTION
1	312605007	Zigzag mechanism (unit)
2	737011009	Index spring
3	000103808	Setscrew 3x5
4	303617004	SS adjusting screw (unit)
5	735074004	SS adjusting screw
6	735076006	SS rod block
7	000160102	Adjustable lock nut 4
8	000071013	Washer 4
9	000002105	Snap ring E-3
10	000081005	Setscrew 4x8
11	306114B04	Pattern selector dial
12	306118B03	Stitch length dial
13	306114B05	Zigzag width dial
14	303610409	Feed regulator (unit)
15	648010009	Setscrew
16	731034000	Reverse lever rod
17	735075005	Feed regulator rod
18	670100006	Feed regulator spring
19	803134007	Feed regulator body spring
20	000013800	Snap ring CS-6
21	735073003	Washer
22	000111304	Hexagonal socket screw 5x5
23	303611053	Reverse lever (unit)
24	726014307	Reverse lever
25	303031008	Reverse lever supporter
26	731033009	Reverse lever spring
27	000013903	Snap ring CS-5
28	312601151	Front cover (unit)
29	312003C01	Front panel
30	312004P01	Front cover
31	000120203	Setscrew 3x8 (B)
32	000101404	Setscrew 4x6
33	000115205	Setscrew TP 4x6

PARTS LIST



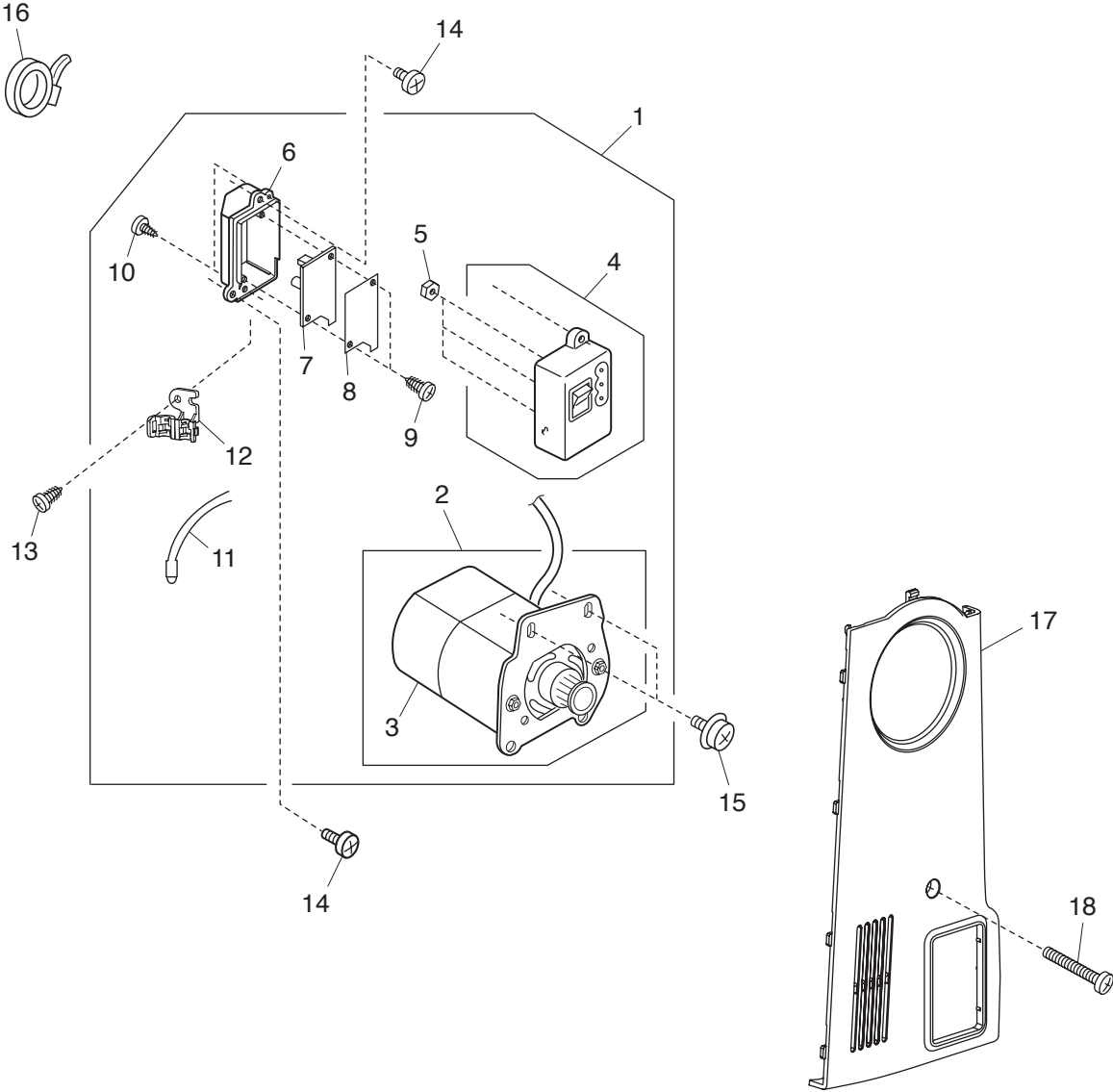
PARTS LIST

KEY NO.	PARTS NO.	DESCRIPTION
1	640603104	Hook race (unit)
2	532096007	Shuttle hook
3	000111304	Hexagonal socket screw 5x5
4	647515006	Bobbin case (unit)
5	102261000	Bobbin
6	640018003	Hook driver shaft bushing
7	730038001	Lower shaft gear
8	000110107	Hexagonal socket screw 5x5 (WP)
9	738024008	Lower shaft front bushing
10	647043008	Feed lifting cam
11	647142905	Lower shaft
12	640038009	Lower shaft rear bushing
13	722034002	Felt
14	726617007	Lower shaft crank (unit)
15	726013007	Lower shaft crank
16	639037004	Pin
17	000001609	Snap ring E-5
18	730027007	Needle plate
19	681009101	Flat screw
20	730107002	Ger box upper cover
21	000101404	Setscrew 4x6
22	626045603	Cap

PARTS LIST

KEY NO.	PARTS NO.	DESCRIPTION
1	730611004	Feed rock shaft (unit)
2	730057006	Feed rock shaft
3	647066007	Feed dog base
4	647134007	Feed dog base shaft
5	648019008	Feed dog base sliding plate
6	102021202	Setscrew
7	000002507	Snap ring E-4
8	000111108	Hexagonal socket screw 4x6
9	730184003	Feed dog
10	730183002	Setscrew
11	672042005	Feed dog base spring
12	303637000	Feed rock shaft crank (unit)
13	303091006	Feed rock shaft crank
14	000097200	Setscrew 4x12
15	738055008	Straight pin
16	000111304	Hexagonal socket screw 5x5
17	743012009	Feed rod
18	102141003	Feed regulator slide block
19	735071104	Feed rock shaft connecting pin
20	000014007	Snap ring CS-4
21	726032002	Spring
22	726033003	Stopper
23	000101404	Setscrew 4x6
24	303612009	Feed lifting arm (unit)
25	738028013	Feed lifting arm
26	735090109	Feed lifting shaft
27	303069005	Drop feed selecting plate
28	730061003	Drop feed selecting spring
29	730063016	Feed lifting crank roller shaft
30	000101703	Setscrew 4x12
31	303033000	Feed lifting arm shaft holder

PARTS LIST

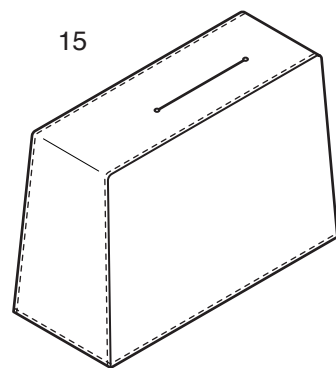
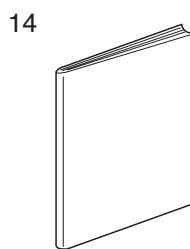
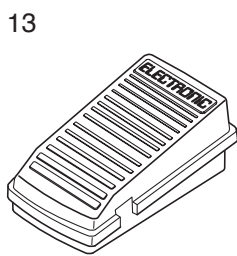
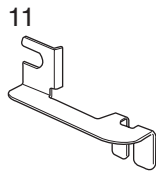
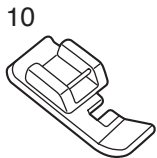
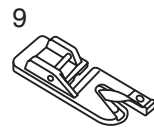
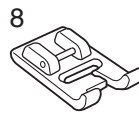
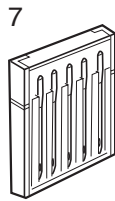
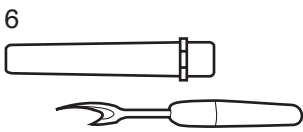
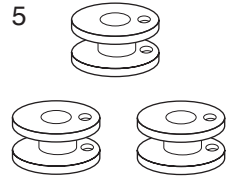
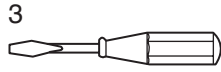
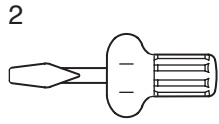


PARTS LIST

KEY NO.	PARTS NO.	DESCRIPTION
1	312630403	Machine socket (whole unit)
2	303675000	Motor assembly (unit) including bracket
3	026623005	Motor with pulley
4	739503607	Machine socket (unit)
5	000060802	Nut 3-1-5.5
6	303092007	Machine socket cover
7	508512102	Printed circuit board C (unit)
8	508134003	Insulating paper
9	000120203	Setscrew 3x8 (B)
10	000107802	Setscrew 3x10 (B)
11	508515301	LED (unit)
12	508143005	LED holder
13	000103808	Setscrew 3x5
14	000103509	Setscrew 4x10
15	000115504	Setscrew TP 5x10
16	000053008	Cord binder
17	312006002	Belt cover
18	000106801	Setscrew 4x35

PARTS LIST

1



PARTS LIST

KEY NO.	PARTS NO.	DESCRIPTION
1	312870005	Standard accessories
2	820832005	Screwdriver (large)
3	647803004	Screwdriver (small)
4	741814003	Oil
5	102261000	Bobbin
6	647808009	Seam ripper/buttonhole opener
7	540401026	Needle case (unit)
8	737801015	Buttonhole foot
9	743815000	Hemmer foot
10	611406002	Zipper foot
11	674401002	Hem guide
12	743816001	Satin foot
13	045501005	Foot control
14	312800048	Instruction book
15	741811000	Cover