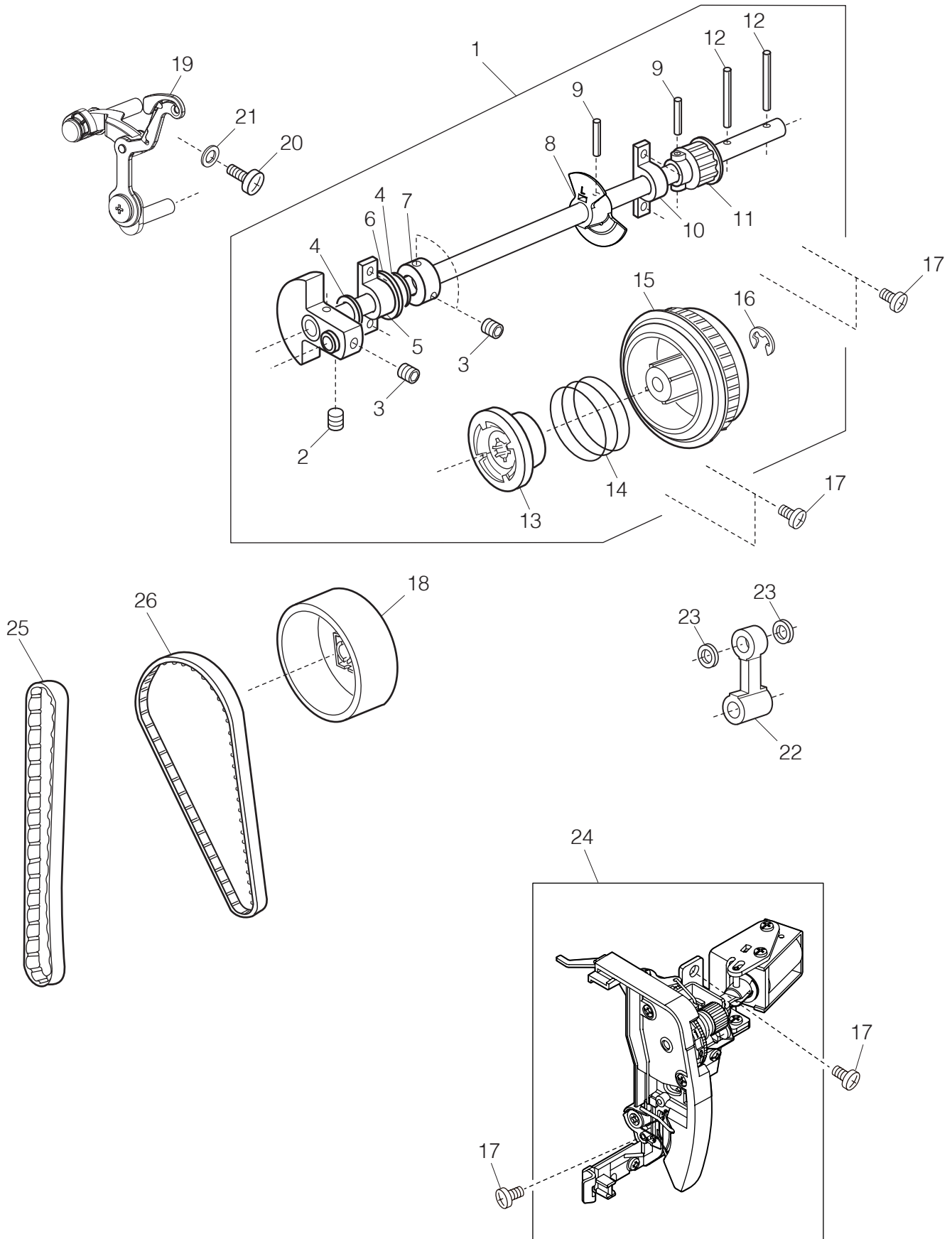


# **PARTS LIST**

**MODEL: MC100E**

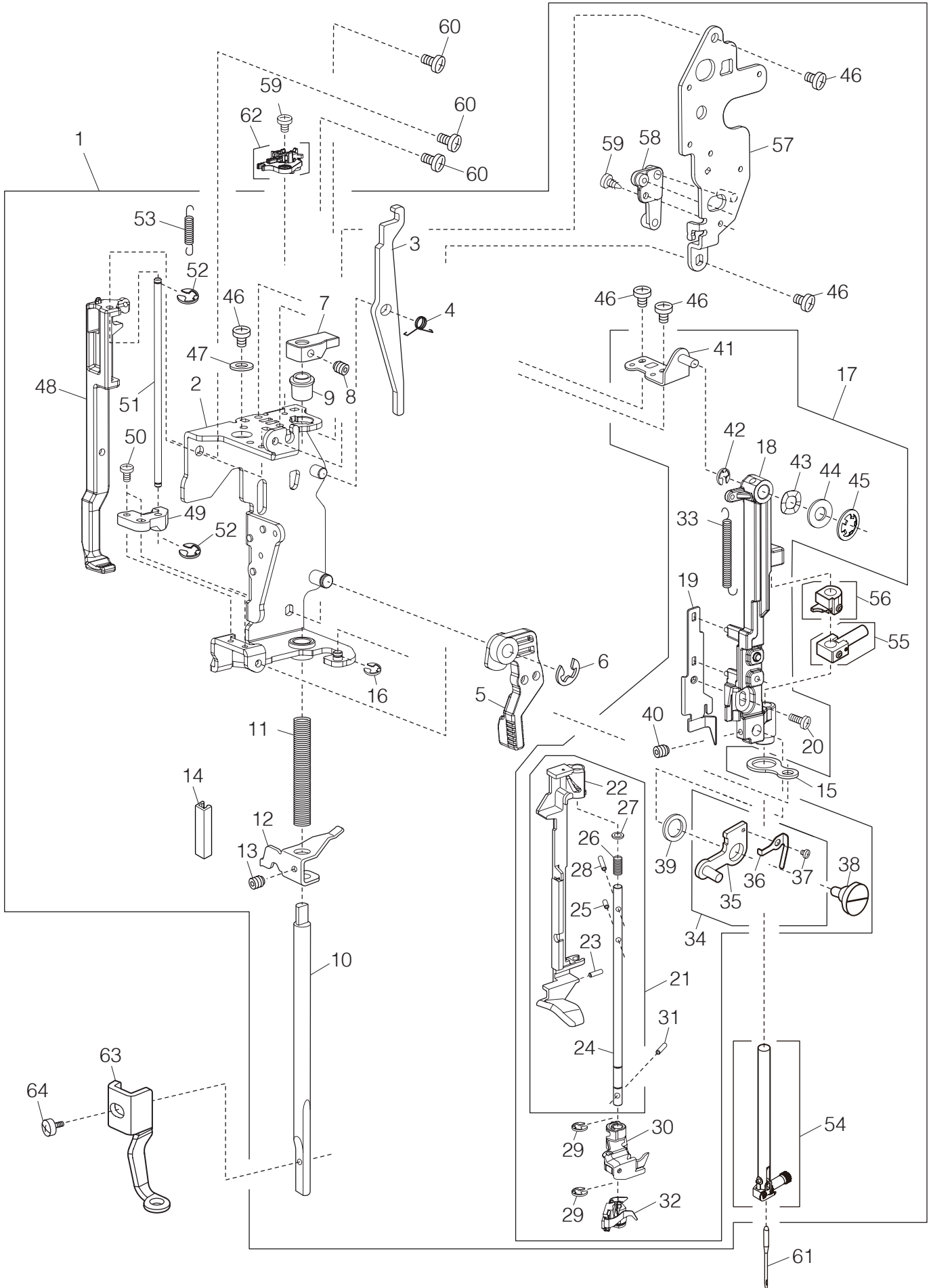
# PARTS LIST



# PARTS LIST

KEY NO.	PARTS NO.	DESCRIPTION
1	819601009	Upper shaft (unit)
2	000112800	Hexagonal socket screw 4x6
3	000111201	Hexagonal socket screw 4x4
4	000036201	Washer FT80
5	508120006	Shaft supporter plate
6	823110009	Felt
7	820166001	Lower shaft ring
8	808003001	Upper shaft shielding plate
9	000004200	Spring pin 3x18
10	508054101	Shaft supporter plate
11	508021006	Upper shaft gear
12	000024206	Spring pin 3x30
13	502064003	Clutch ring
14	661024007	Clutch spring
15	508055009	Belt wheel
16	000002806	Snap ring E-6
17	000081005	Setscrew 4x8
18	809100002	Handwheel
19	819602000	Thread take-up lever (unit)
20	000103509	Setscrew 4x10
21	000072302	Washer 4
22	808005003	Needle bar crank rod
23	000036005	Washer FT60
24	815605001	Thread tension (unit)
25	808037004	Syncro belt S5M
26	808021005	Timing belt 120

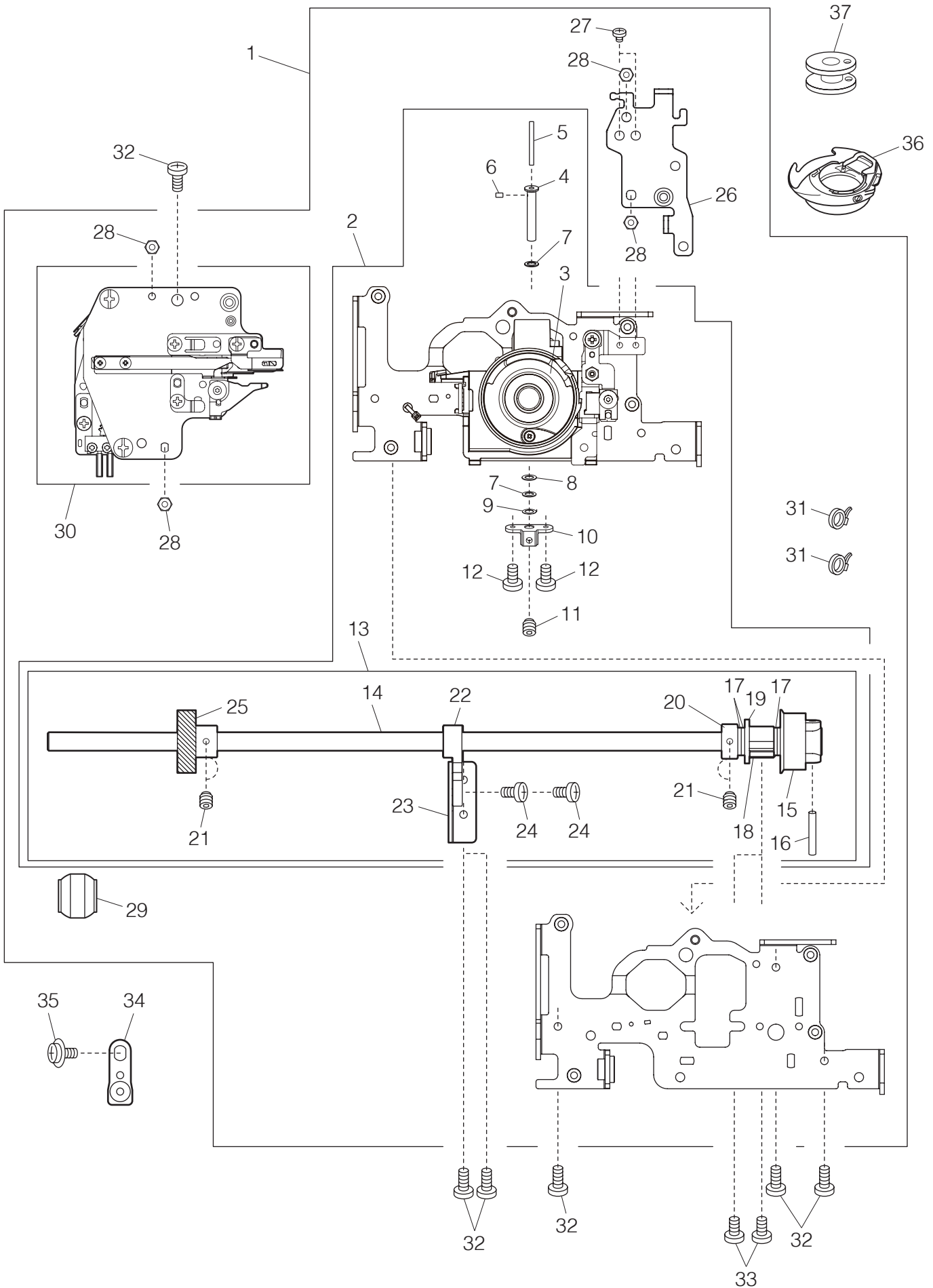
# PARTS LIST



# PARTS LIST

KEY PARTS			KEY PARTS		
NO.	NO.	DESCRIPTION	NO.	NO.	DESCRIPTION
1	815601007	Presser bar base plate (unit)	51	814048007	Threader lever shaft
2	819004109	Presser bar base plate	52	000002301	Snap ring E-2
3	808007005	Thread tension release lever	53	814049008	Lever supporting spring
4	503041007	Thread tension release spring	54	819607005	Needle bar (unit)
5	819006008	Presser foot lifter	55	809509005	Needle bar connecting stud
6	000001609	Snap ring E-5	56	858540000	Rotation pin stopper (unit)
7	819013008	Embroidery foot drive block	57	819022103	ZZ motor set plate
8	000111201	Hexagonal socket screw 4x4	58	815002002	Zigzag stopper
9	815001001	Presser bar bushing	59	000103808	Setscrew 3x5
10	819010005	Presser bar	60	000081005	Setscrew 4x8
11	819011006	Presser bar spring	61	813404013	Needle
12	819012007	Presser bar supporter	62	819612003	Presser foot lift switch (unit)
13	000111500	Hexagonal socket screw 4x8	63	852890000	Embroidery foot
14	819152000	Presser bar supporter holder	64	660106001	Setscrew
15	808010001	Supporter guide plate			
16	000002105	Snap ring E-3			
17	819604105	Needle bar supporter (unit)			
18	819014009	Needle bar supporter			
19	819018003	Thread release plate			
20	000081500	Setscrew 3x12			
21	819605003	Threader shaft (unit)			
22	819016A01	Needle threader arm			
23	869025008	Cam pin			
24	819015000	Threader shaft			
25	000265603	Guide pin E-2x6-CH			
26	869026009	Lever spring			
27	539061004	Washer			
28	000265500	Guide pin E-2x12-CH			
29	000001207	Snap ring E-2.5			
30	869609002	Thread guide set (unit)			
31	000003508	Spring pin 2x8			
32	869610006	Hook holder (unit)			
33	869030006	Needle threader return spring			
34	819606004	Zigzag width rod (unit)			
35	819019004	Zigzag width rod			
36	827088009	Zigzag width rod spring			
37	820373003	Setscrew 2x3			
38	678084306	Eccentric pin			
39	863127003	Zigzag width rod washer			
40	000111902	Hexagonal socket screw 3x4			
41	808009100	Supporter adjusting plate			
42	000002507	Snap ring E-4			
43	673022002	Washer			
44	000070609	Washer 6			
45	000013903	Snap ring CS-5			
46	000101404	Setscrew 4x6			
47	000072003	Washer 5			
48	814046005	Threader lever			
49	814047006	Threader lever guide			
50	000066705	Setscrew 3x8			

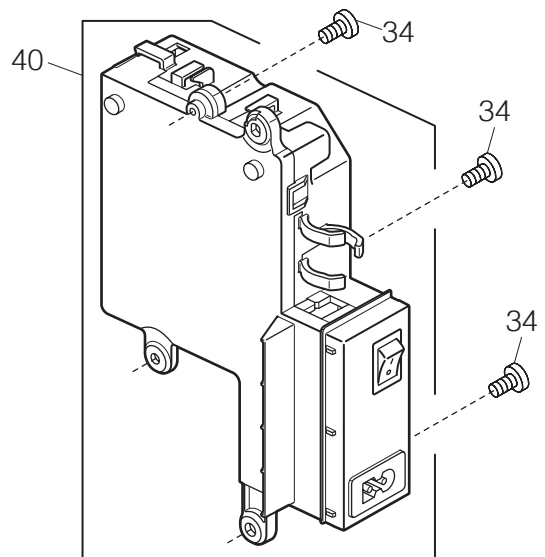
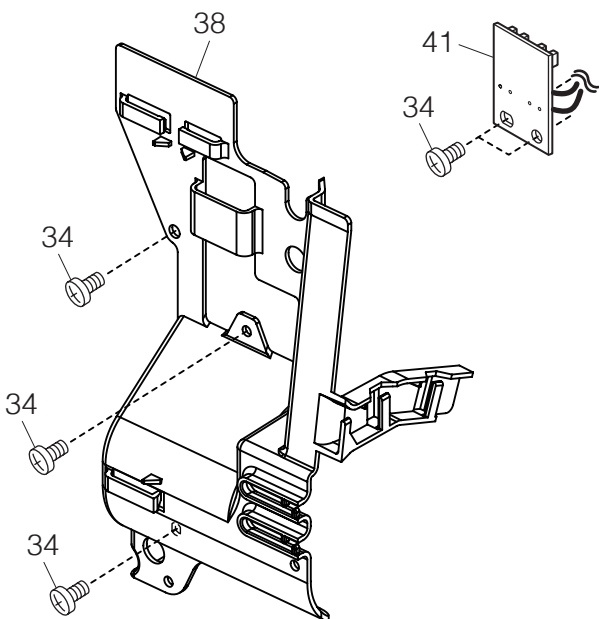
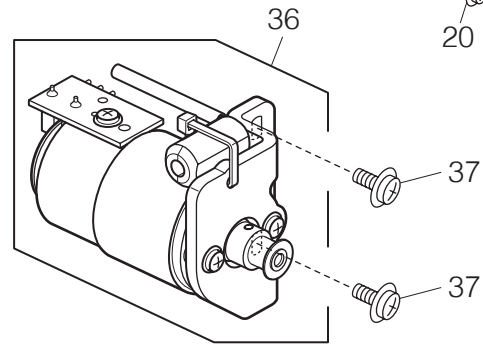
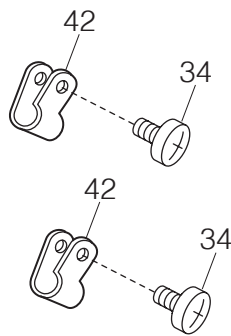
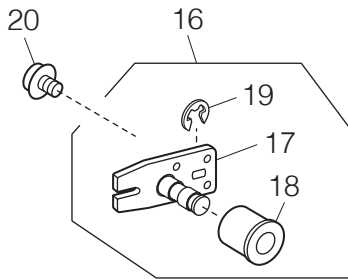
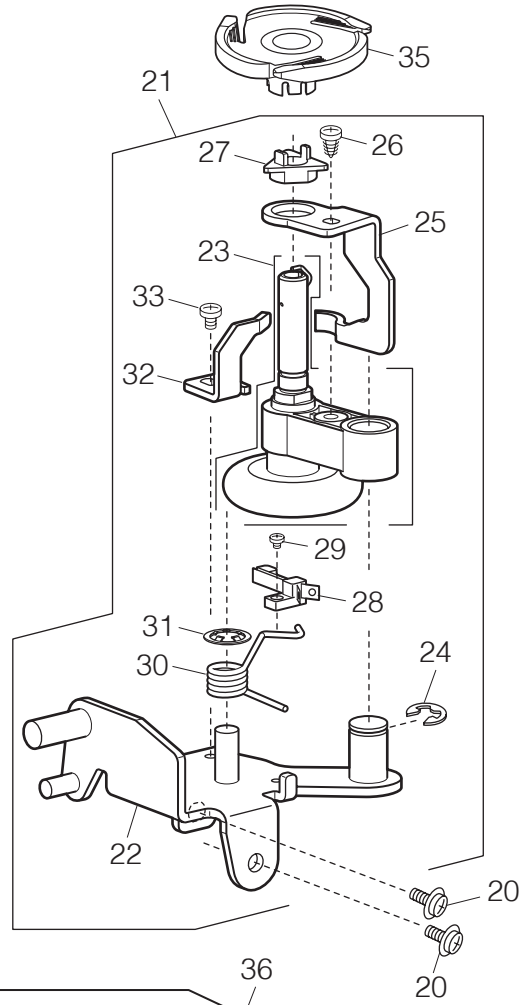
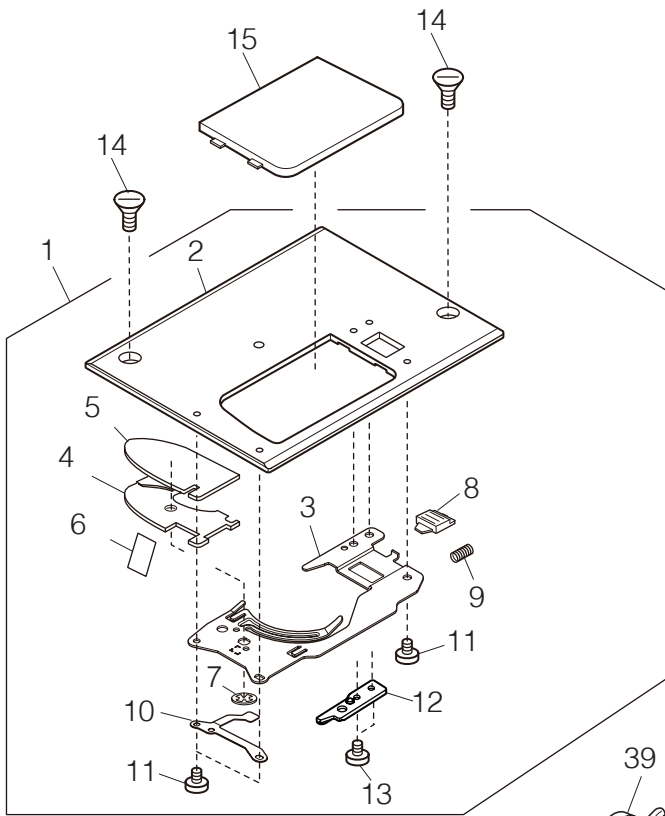
# PARTS LIST



# PARTS LIST

KEY NO.	PARTS NO.	DESCRIPTION
1	815602008	Hook race (whole unit)
2	815603009	Hook race (unit)
3	660536107	Hook body (unit)
4	820123006	Hook race shaft
5	820124007	Hook shaft oil wick (1)
6	820125008	Hook shaft oil wick (2)
7	000038409	Washer
8	627192001	Washer
9	625102008	Washer
10	508072002	Hook race shaft base
11	000111304	Hexagonal socket screw 5x5
12	000103705	Setscrew 4x5
13	819621108	Lower shaft (unit)
14	819042006	Lower shaft
15	508021006	Upper shaft gear
16	000004200	Spring pin 3x18
17	000038502	Washer
18	508120006	Shaft supporter plate
19	823110009	Felt
20	820166001	Lower shaft ring
21	000111201	Hexagonal socket screw 4x4
22	809017012	Lower shaft supporter
23	809016000	Lower shaft supporter plate
24	000081016	Setscrew 4x8
25	808137005	Lower shaft gear
26	815003003	Needle plate adjusting plate
27	000101116	Setscrew 3x4
28	000063104	Nut 3-2-5.5
29	732034003	Lower shaft bushing
30	819624101	Thread cutter (unit)
31	000053606	Cord binder
32	000103509	Setscrew 4x10
33	000081005	Setscrew 4x8
34	809042005	Lower shaft bushing set plate
35	000115607	Setscrew TP 4x8
36	867513002	Bobbin holder (unit)
37	102261103	Bobbin

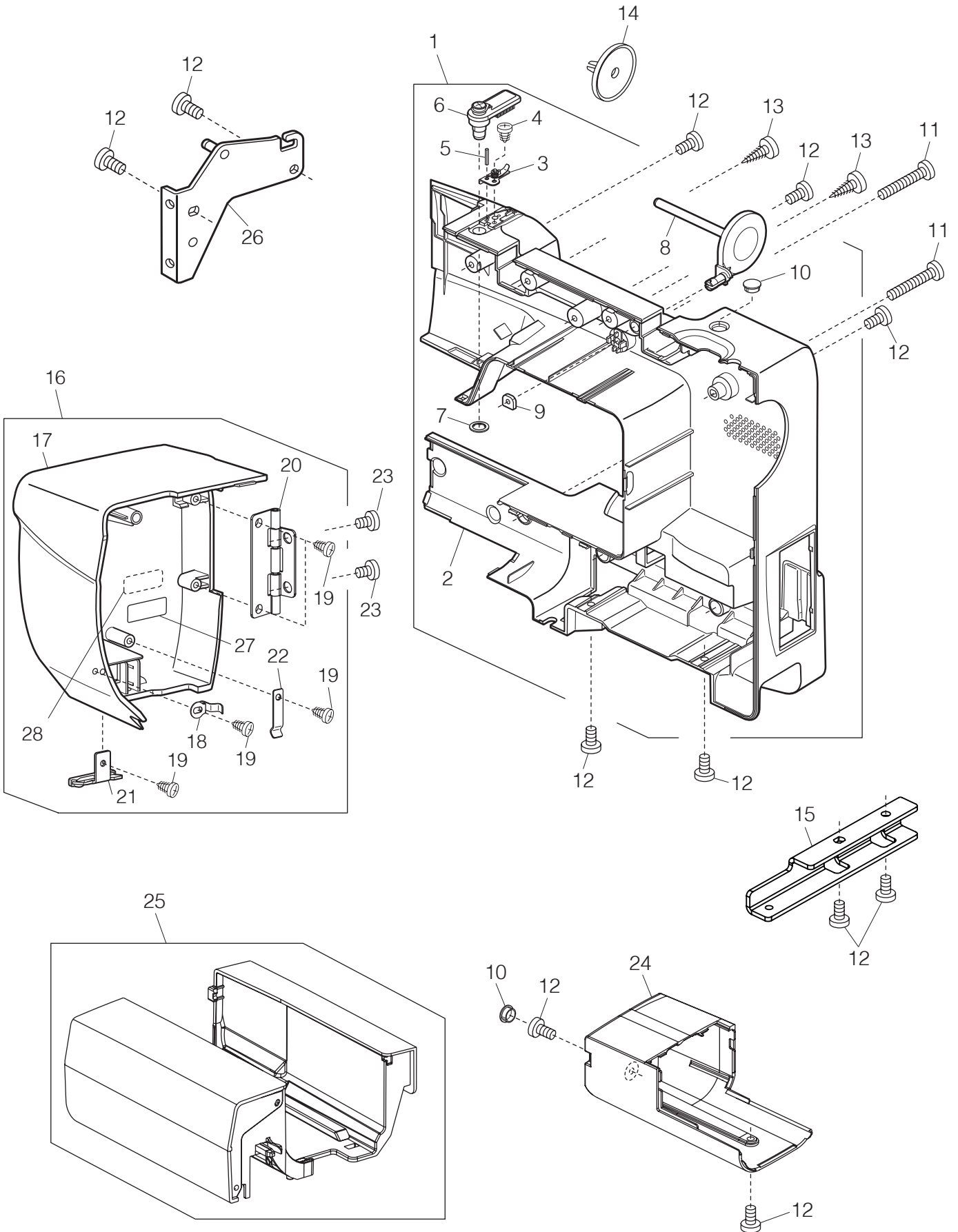
# PARTS LIST



# PARTS LIST

KEY NO.	PARTS NO.	DESCRIPTION
1	815604000	Needle plate (unit)
2	864024002	Needle plate
3	809133015	Hook cover plate supporter
4	809134005	Hook cover plate supporter base
5	809135006	Guide holder
6	809137008	Cutter
7	000014306	Snap ring CS-3
8	825016000	Hook cover plate release button
9	825017001	Spring
10	809184000	Spring
11	820374004	Setscrew 2x2.3
12	819052009	Rotation stopper
13	000163703	Setscrew 2x3.5
14	681009101	Setscrew
15	809136100	Hook cover plate
16	808614001	Idler (unit)
17	808038005	Idler set plate
18	625217100	Idler
19	000002806	Snap ring E-6
20	000115607	Setscrew TP 4x8
21	819627001	Bobbin winder (unit)
22	819062002	Bobbin winder set plate
23	809505001	Bobbin winder arm (unit)
24	000001609	Snap ring E-5
25	809141005	Clutch lever
26	000120214	Setscrew 3x8 (B)
27	809143007	Triangular cam
28	856512007	Leaf switch (unit)
29	000081706	Setscrew 2.5x5
30	809147001	Spring
31	000013903	Snap ring CS-5
32	809142006	Guide plate
33	000103808	Setscrew 3x5
34	000081005	Setscrew 4x8
35	809619009	Thread cutter holder (unit)
36	819630007	DC motor (unit)
37	000115700	Setscrew TP 4x10
38	819074007	Motor belt cover
39	000053008	Cord binder
40	819631307	Switching regulator (unit) (100V-127V)
	819631503	Switching regulator (unit) (220V-240V)
41	808504030	Printed circuit board P (unit)
42	000188405	Nylon clip ACC-2

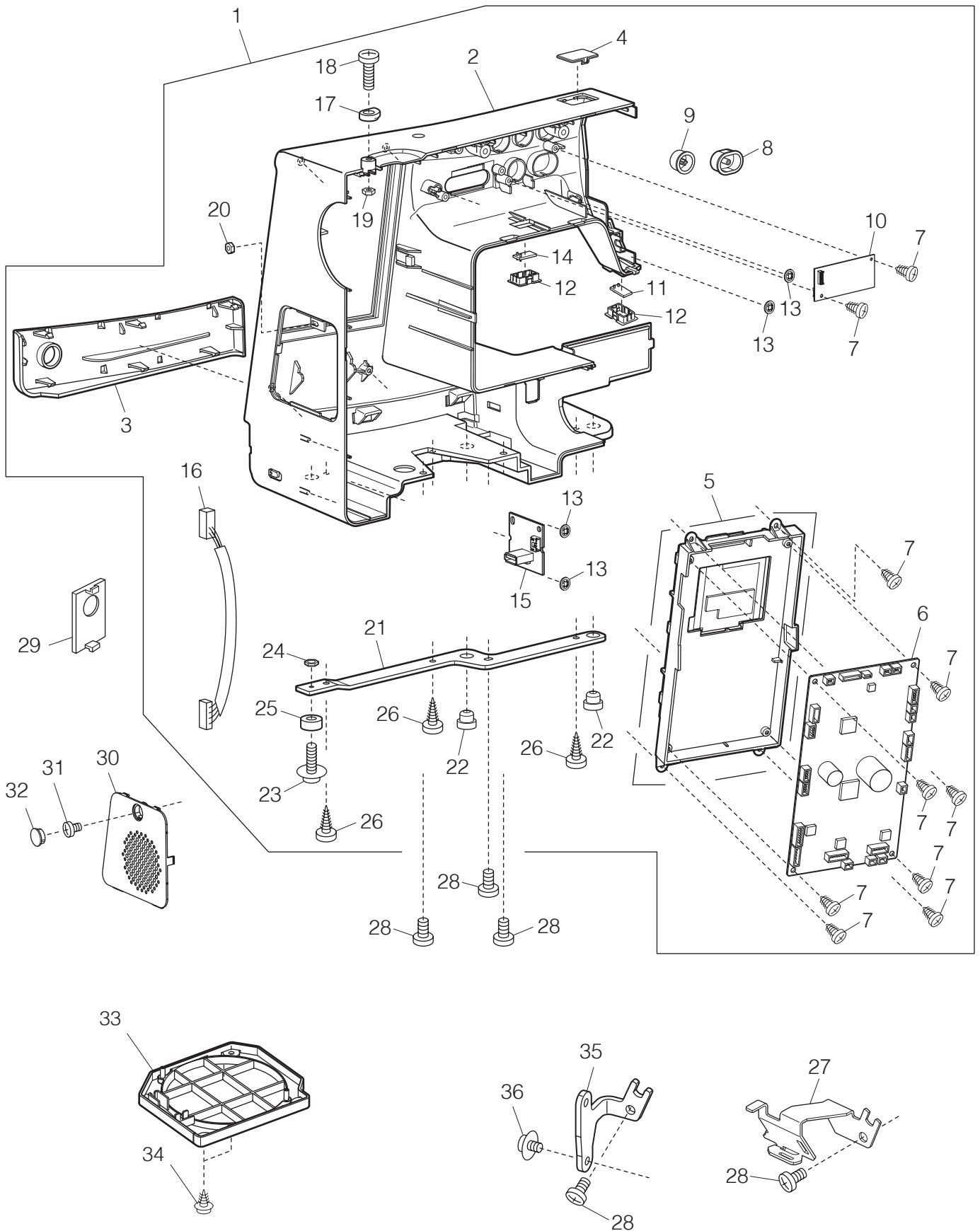
# PARTS LIST



# PARTS LIST

KEY NO.	PARTS NO.	DESCRIPTION
1	819640103	Rear cover (unit)
2	819125B01	Rear cover
3	834555118	Top cover thread guide (unit)
4	000162001	Setscrew 2.6x5 (B)
5	000024804	Spring pin 2x12 (K)
6	856603305	Thread guide (unit)
7	000014409	Snap ring CS-8
8	819126005	Additional spool pin
9	843014004	Plate nut
10	745033002	Cap
11	000080901	Setscrew 4x25
12	000081005	Setscrew 4x8
13	000160401	Setscrew 4x16 (B)
14	822020503	Spool holder
15	819127006	Arm sole set plate
16	819644004	Face cover (unit) (for U.S.A. and Canada only)
	819644107	Face cover (unit)
17	819139A01	Face cover
18	731067002	Face cover spring
19	000120203	Setscrew 3x8 (B)
20	851503103	Face cover hinge (unit)
21	832508017	Thread cutter (unit)
22	859233000	Magnifier fixing plate
23	000081119	Setscrew 4x6
24	819140005	Free arm cover
25	819645407	Extension table (unit) (Pearl Gray)
	819645304	Extension table (unit) (Turquoise Blue)
26	809018002	Presser foot pressure adjusting set plate
27	100045000	Caution sticker (for U.S.A. and Canada only)
28	100517008	Caution sticker (CSA) (for U.S.A. and Canada only)

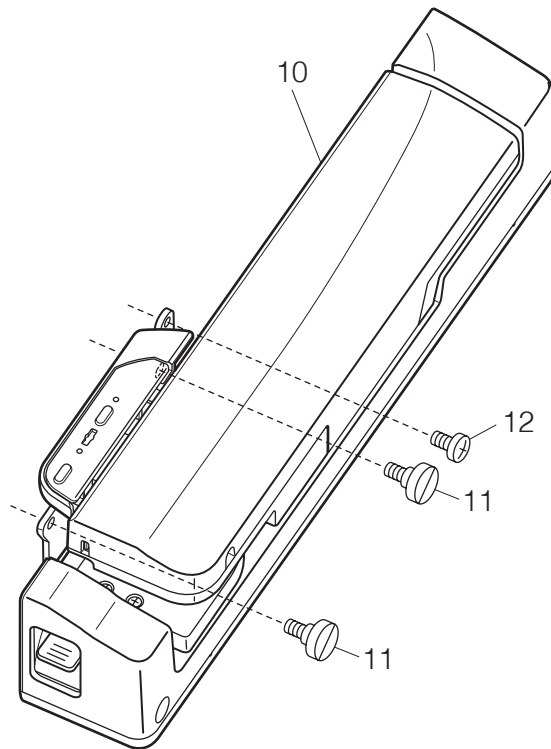
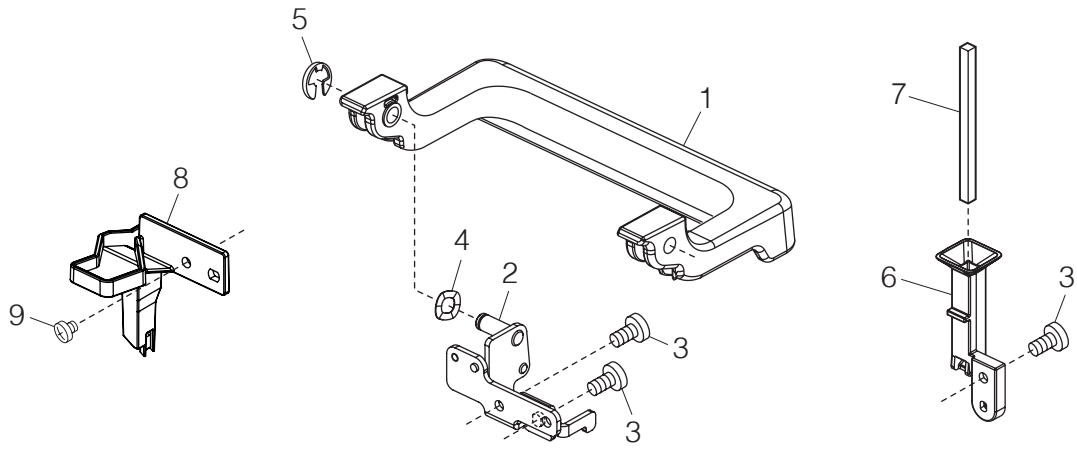
# PARTS LIST



# PARTS LIST

KEY NO.	PARTS NO.	DESCRIPTION
1	815606404	Front cover (unit) (Pearl Gray)
	815606208	Front cover (unit) (Turquoise Blue)
2	819128B01	Front cover
3	819129400	Front cover panel (Pearl Gray)
	819129307	Front cover panel (Turquoise Blue)
4	809119004	Front cover panel lid
5	819405012	LCD case (unit)
6	815401016	Printed circuit board A (100V-127V)
	815401027	Printed circuit board A (220V-240V)
7	000120203	Setscrew 3x8 (B)
8	819132A01	SS button
9	819133B01	Fuction button
10	815503008	Printed circuit board F (unit)
11	812502204	Printed circuit board L2 (unit)
12	860167006	Lamp holder 2
13	000014306	Snap ring CS-3
14	812505001	Printed circuit board L2 (unit)
15	819511001	Printed circuit board B (unit)
16	819512002	Cord harness (STP) (unit)
17	846177108	Bobbin winder stopper
18	000101828	Setscrew 4x16
19	000061205	Nut 4-3-7
20	000063104	Nut 3-2-5.5
21	819137009	Front arm leg
22	735003208	Rubber foot
23	000201405	Setscrew TP 4x16
24	000160102	Adjustable lock nut 4
25	639005003	Rubber foot
26	000198604	Setscrew 4x14 (B)
27	819033004	Arm thread guide
28	000081005	Setscrew 4x8
29	809039009	Cap
30	819136008	Maintenance cover
31	000078319	Setscrew 3x6
32	745033002	Cap
33	819138103	Bed cover
34	000149002	Setscrew 3x10 (B)
35	819032003	Front cover set plate
36	000115205	Setscrew TP 4x6

# PARTS LIST



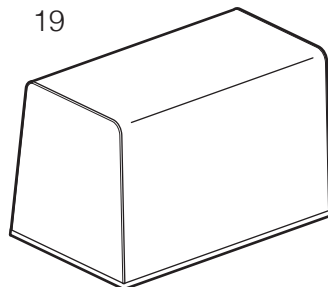
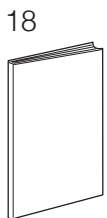
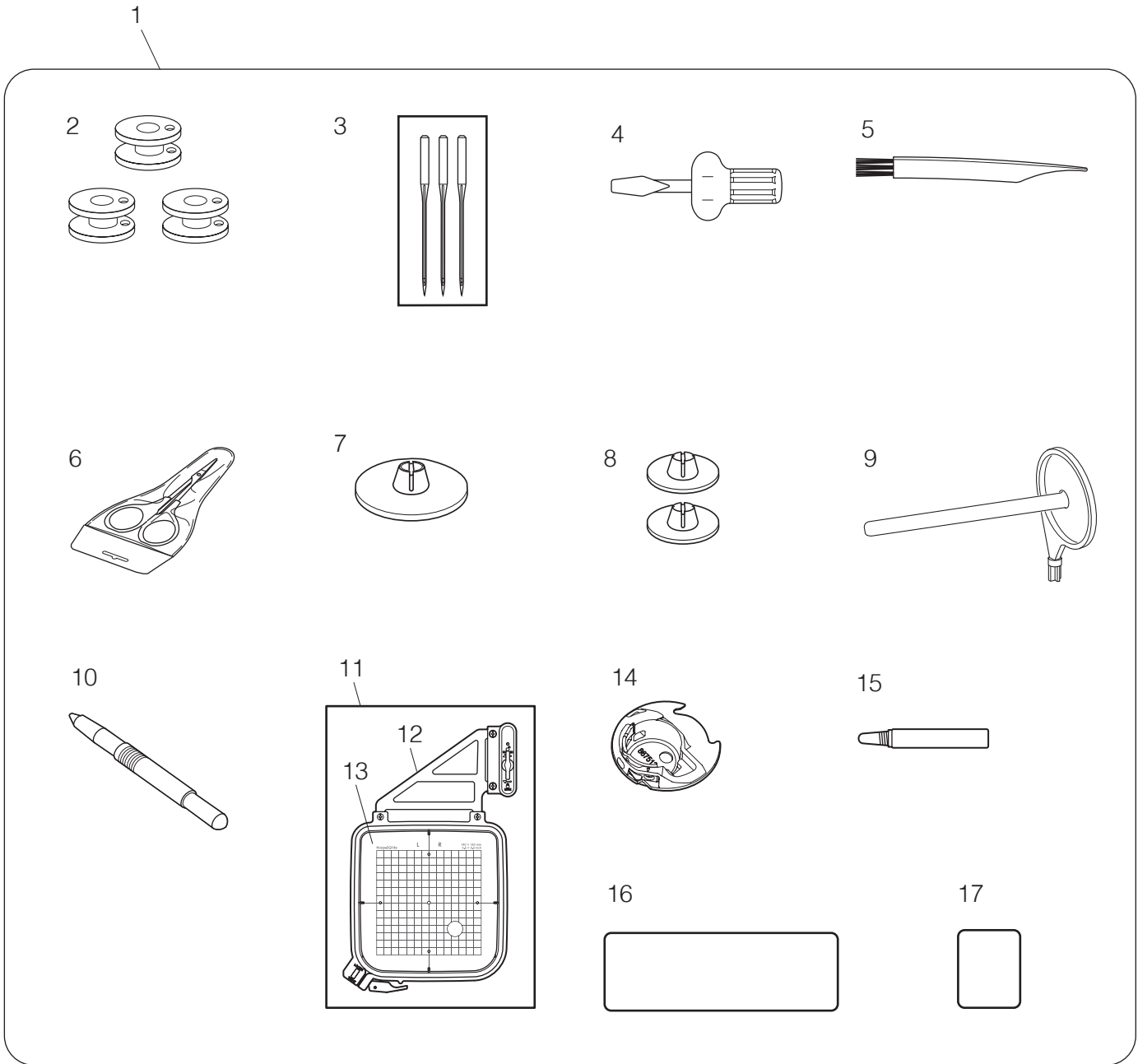
# PARTS LIST

---

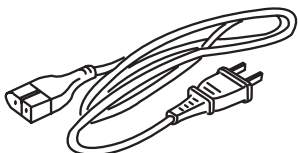
KEY NO.	PARTS NO.	DESCRIPTION
1	819064004	Carrying handle
2	819065005	Front set plate
3	000081005	Setscrew 4x8
4	000116206	Washer
5	000001609	Snap ring E-5
6	819063003	Lubrication guide 1
7	819148003	Felt
8	819066006	Lubrication guide 2
9	000101105	Setscrew 3x4
10	819632102	Embroidery unit cover (unit)
11	819145000	Screw
12	000103509	Setscrew 4x10

---

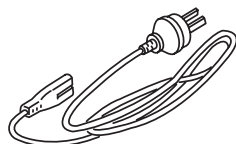
# PARTS LIST



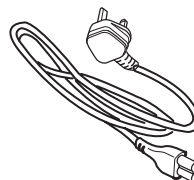
20 (U.S.A.) (Canada)



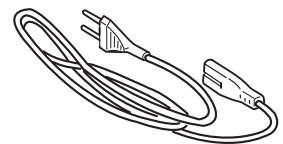
20 (Australia)



20 (UK)



20 (Continental Europe)



# PARTS LIST

KEY NO.	PARTS NO.	DESCRIPTION
1	815870009	Standard accessories
2	102261103	Bobbin
3	852802108	Needle case (unit)
4	820832005	Screwdriver
5	802424004	Lint brush
6	803813203	Scissors
7	822020503	Spool holder (large)
8	822019509	Spool holder (Small)
9	809041004	Extra spool pin
10	860194002	Touchpanel stylus
11	819801001	Embroidery hoop SQ14a (whole unit)
12	819801104	Embroidery hoop SQ14a (unit)
13	819801A01	Template SQ14a
14	867513208	Bobbin holder (20gf)(unit)
15	859858007	Cleaner (unit)
16	858801002	Caution sticker
17	101506A09	Threading guide sticker
18	815800008	Instruction book (English)
	815800101	Instruction book (French)
	815800400	Instruction book (German)
	815800204	Instruction book (Dutch)
19	819807007	Cover
20	856519004	Power cable (U.S.A.) (Canada)
	830314018	Power cable (Australia)
	830377008	Power cable (UK)
	830335004	Power cable (Continental Europe)