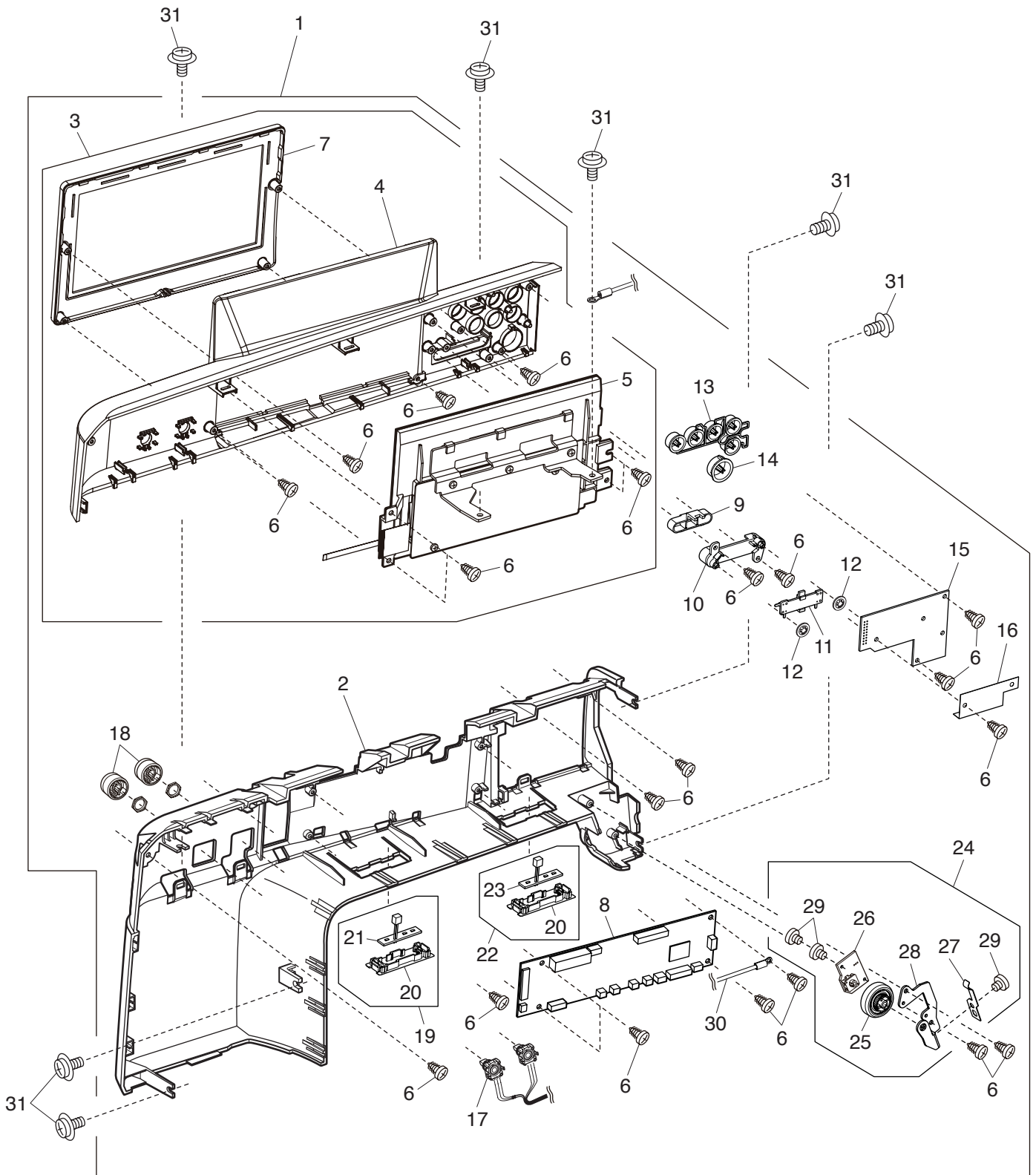


**SERVICE MANUAL
&
PARTS LIST**

MODEL: Continental M8 Professional

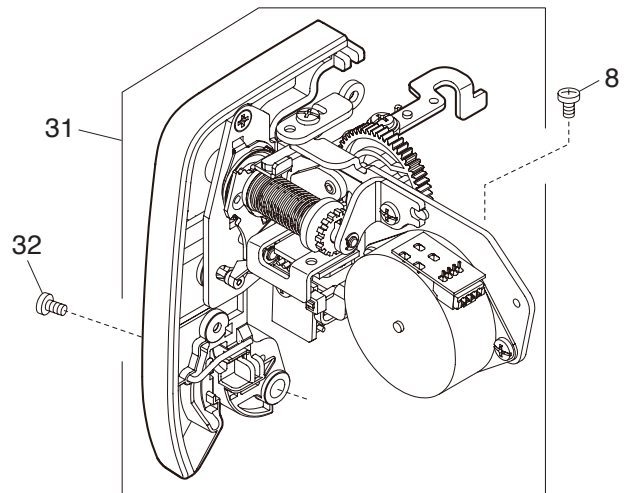
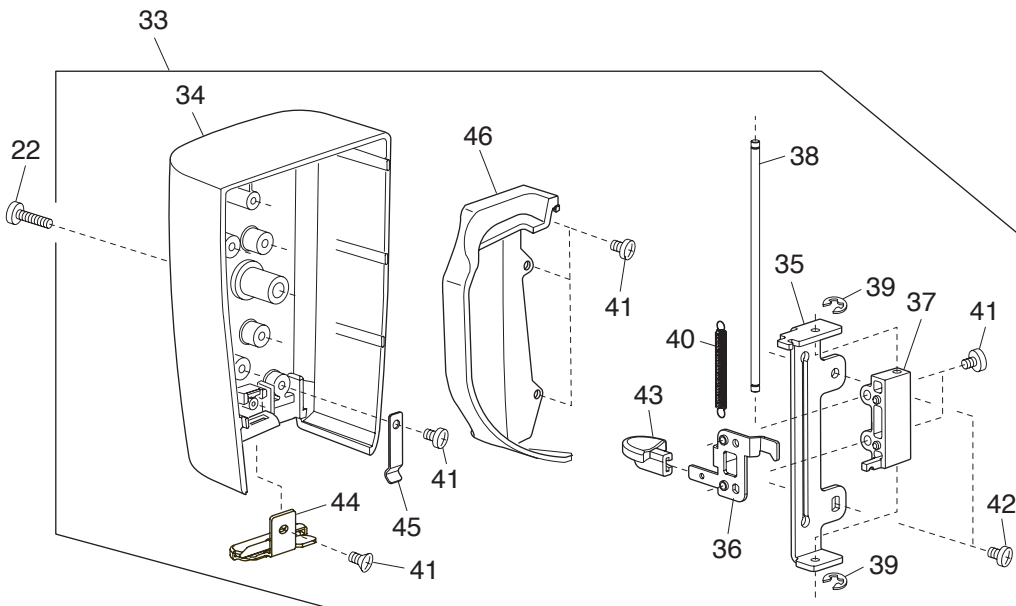
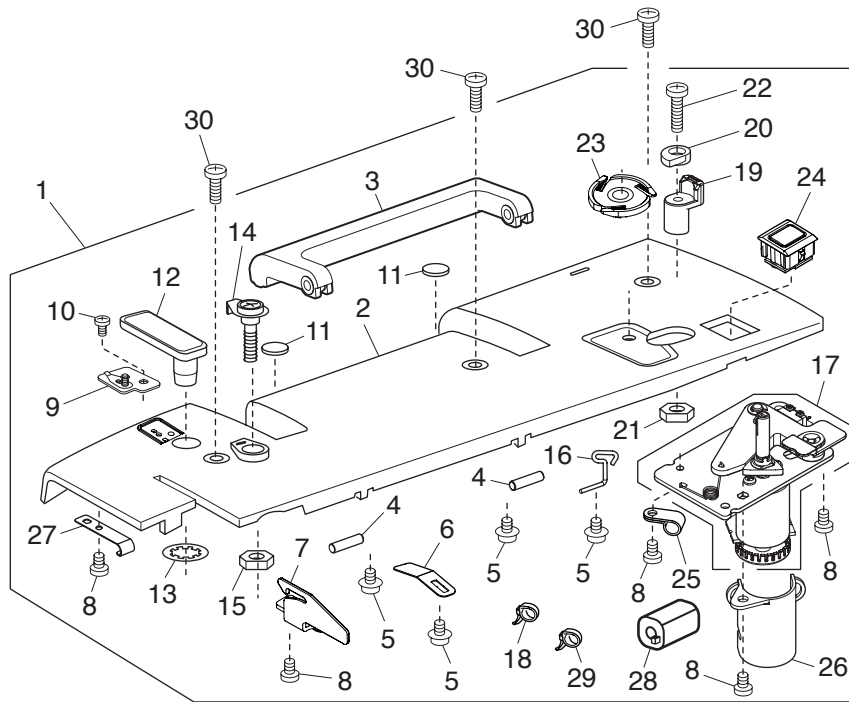
PARTS LIST



PARTS LIST

KEY NO.	PARTS NO.	DESCRIPTION
1	867661006	Front cover (unit)
2	867186A01	Front cover
3	867662007	Ornamental panel (unit)
4	867187A01	Ornamental panel 1
5	867663008	LCD case (unit)
6	000120203	Setscrew 3x8 (B)
7	867191103	LCD frame
8	867406023	Printed circuit board A
9	867125003	Speed control slider
10	867126004	Speed control slider guide
11	653507325	Slide volume (unit)
12	000014306	Snap ring CS-3
13	867130A01	Function button
14	867131A01	Start/stop button
15	867549007	Printed circuit board F (unit)
16	867171004	Light shielding sheet
17	867517006	Rotary encoder (unit)
18	867664009	Dial (unit)
19	867646201	LED cover 3 (unit)
20	867133004	LED cover 3
21	867504206	Printed circuit board L1 (unit) (blue connector)
22	867646304	LED cover 3 (unit)
23	867504309	Printed circuit board L1 (unit) (brack connector)
24	868615101	Thumb wheel (unit)
25	868045001	Thumb wheel
26	868512107	Printed circuit board W (unit)
27	868214003	Index spring
28	868043009	Thumb wheel set plate
29	000101105	Setscrew 3x4
30	868542209	Grounding terminal
31	000115205	Setscrew TP 4x6

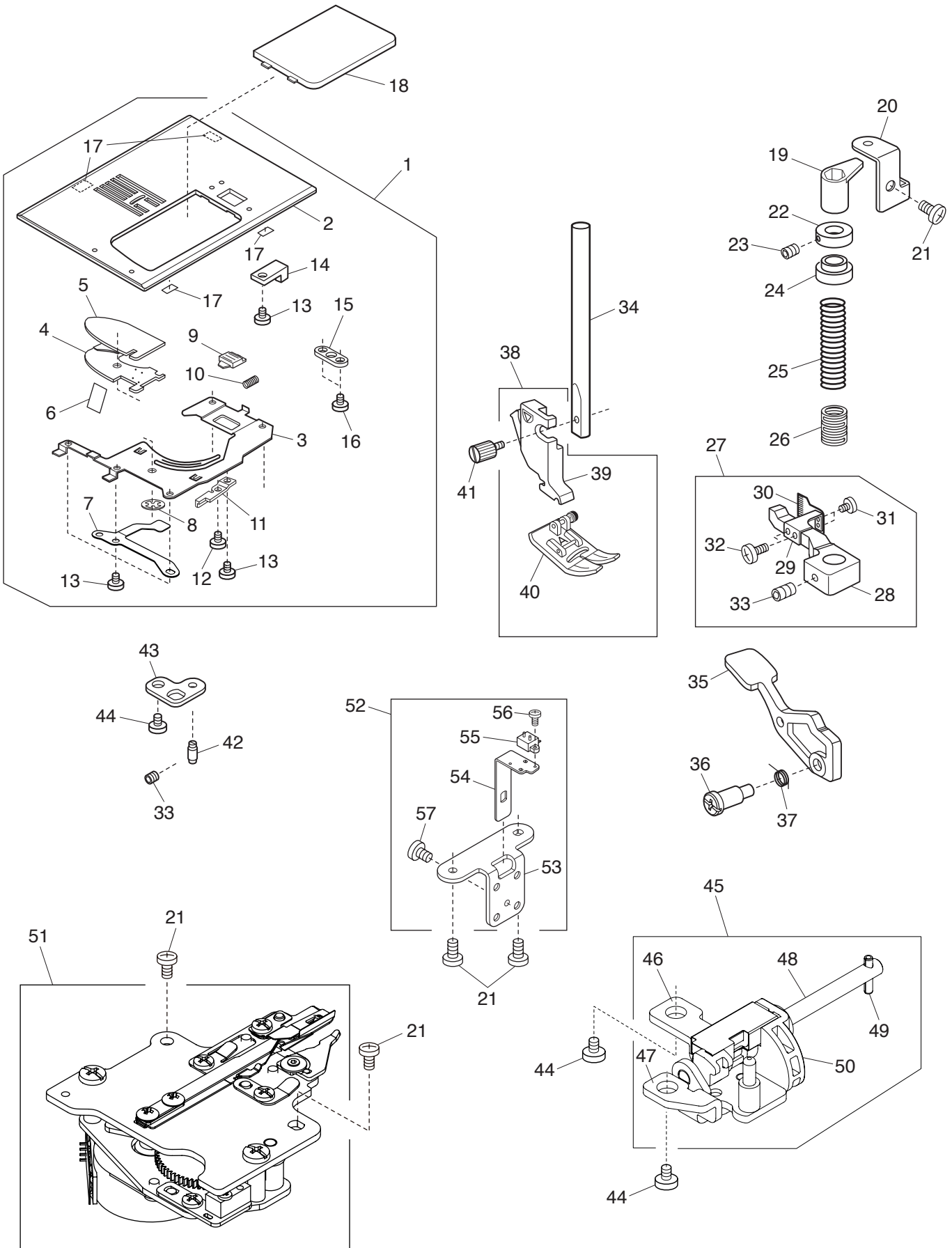
PARTS LIST



PARTS LIST

KEY NO.	PARTS NO.	DESCRIPTION
1	867649400	Top cover (unit) (U.S.A.) (Canada)
	867649503	Top cover (unit) (Australia) (UK) (Continental Europe)
2	867136A03	Top cover
3	867137008	Carrying handle
4	867139000	Carrying handle support pin
5	000115205	Setscrew TP 4x6
6	867138009	Carrying handle leaf spring
7	867142006	Top cover thread guide (1)
8	000081005	Setscrew 4x8
9	867654006	Top cover thread guide (2) (unit)
10	000066705	Setscrew 3x8
11	767211004	Felt
12	867140004	Thread guide (unit)
13	000014409	Snap ring CS-8
14	730501011	Thread guide plate (unit)
15	000160102	Adjustable lock nut 4
16	846021003	Top cover thread guide (3)
17	867650105	Bobbin winder (unit)
18	000053008	Cord binder
19	862127000	Bobbin winder lever arm
20	846177108	Bobbin winder stopper
21	000062402	Nut 4-2-7
22	000104119	Setscrew 4x20
23	809619009	Bobbin thread cutter (unit)
24	867651003	Bobbin winder button (unit)
25	000188405	Nylon clip ACC-2.0
26	867172005	Bobbin winder motor cover
27	867168008	Conduction plate (Australia) (UK) (Continental Europe)
28	867539004	Ferrite core (Australia) (UK) (Continental Europe)
29	000053204	Cord binder (Australia) (UK) (Continental Europe)
30	000101828	Setscrew 4x16
31	867627000	Thread tension (unit)
32	000101703	Setscrew 4x12
33	867648203	Face plate (unit)
34	867134108	Face plate
35	866074003	Threader base plate
36	866075004	Threader driving plate
37	865025006	Threader bushing
38	865026007	Threader lever shaft
39	000002301	Snap ring E-2
40	865027008	Threader lever spring
41	000078319	Setscrew 3x6
42	000103004	Setscrew 3.5x6
43	866076005	Threader lever
44	832508017	Thread cutter (unit)
45	859233000	Magnifier fixing plate
46	867135006	Thread guide cover

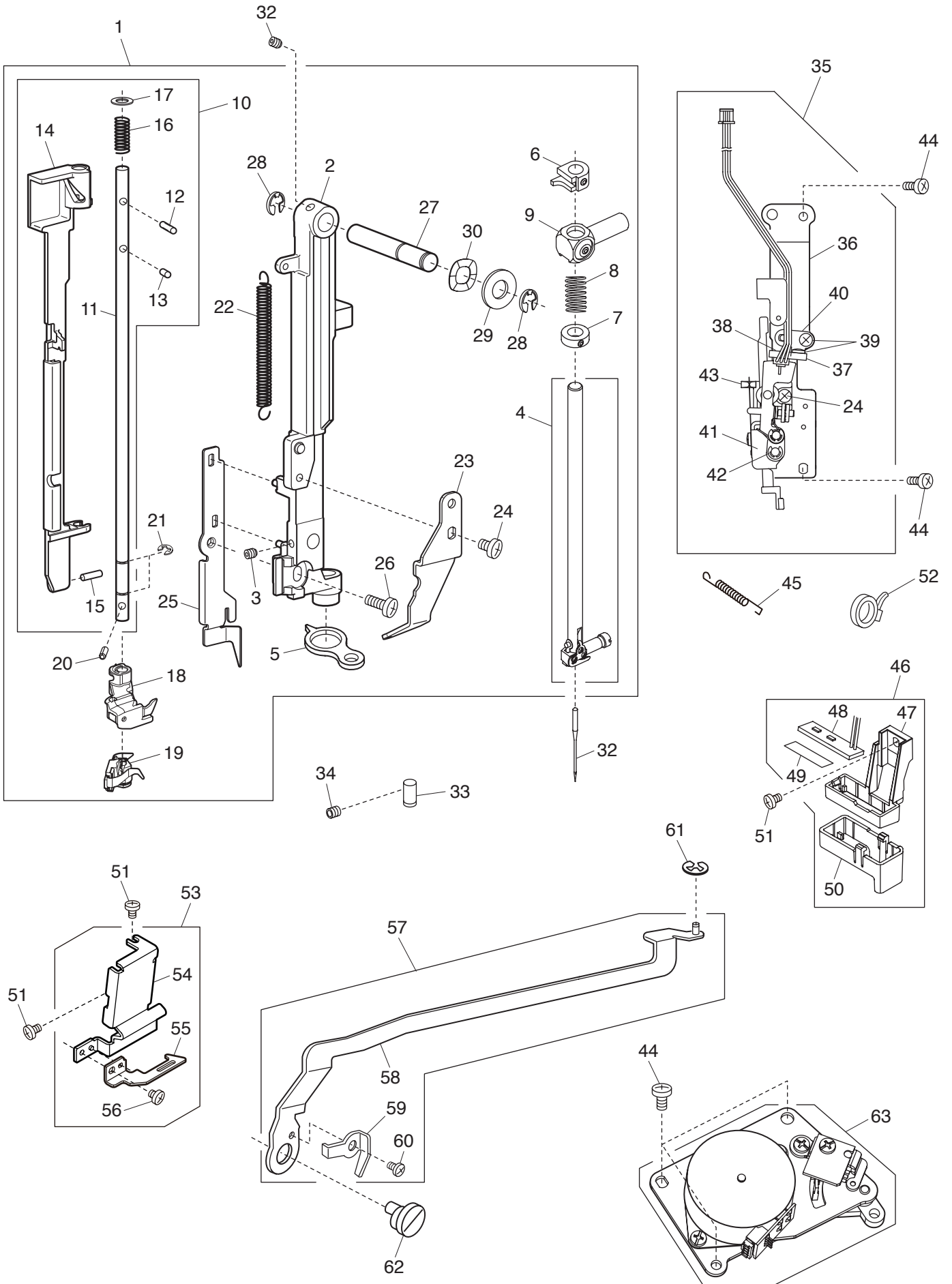
PARTS LIST



PARTS LIST

KEY NO.	PARTS NO.	DESCRIPTION	KEY NO.	PARTS NO.	DESCRIPTION
1	867642001	Needle plate (unit)	51	867628001	Automatic thread cutter (unit)
2	861013032	Needle plate	52	867605002	Needle plate detector (unit)
3	861014000	Hook cover plate supporter	53	866010001	Needle plate detector set plate
4	809134005	Hook cover plate supporter base	54	867021008	Switch set plate
5	809135006	Guide holder	55	859524506	Switch (unit)
6	809137008	Cutter	56	755096004	Setscrew
7	809184000	Leaf	57	000101404	Setscrew 4x6
8	000014306	Snap ring CS-3			
9	825016000	Hook cover plate release button			
10	825017001	Spring			
11	867119004	Rotation stopper			
12	000163703	Setscrew 2x3.5			
13	820374004	Setscrew 2x2.3			
14	867120008	Needle plate sensor block			
15	859271000	Needle plate supporter			
16	000102807	Setscrew 2x4			
17	859272104	Rubber sticker			
18	809136100	Hook cover plate			
19	867167007	Presser bar bushing			
20	859075002	Presser bar plate			
21	000081005	Setscrew 4x8			
22	859076003	Presser foot lifter stopper			
23	000216805	Hexagonal socket screw 3x3			
24	859077004	Presser bar spring supporter			
25	859078005	Presser bar spring			
26	859210001	Spring supporter			
27	859624105	Presser bar supporter (unit)			
28	859079017	Presser bar supporter			
29	859240000	Shielding plate set plate			
30	867175008	Shielding plate			
31	000098108	Setscrew 2x3			
32	000128603	Setscrew 3x5			
33	000111201	Hexagonal socket screw 4x4			
34	867054000	Presser bar			
35	859027010	Presser foot lifter			
36	865049006	Hinge screw			
37	867053009	Spring			
38	867819001	Presser foot (unit)			
39	867542000	Presser foot holder (unit)			
40	859802006	Zigzag foot (unit)			
41	858274000	Thumbscrew			
42	859270009	Needle plate positioning pin			
43	860003025	Needle plate nut set plate			
44	810220106	Setscrew			
45	867601008	Needle plate adjusting plate (unit)			
46	867003004	Needle plate adjusting plate			
47	867004005	Needle plate adjusting plate set plate			
48	867005006	Needle plate replacing shaft			
49	000004705	Spring pin 2x10			
50	867006007	Needle plate replacing cam			

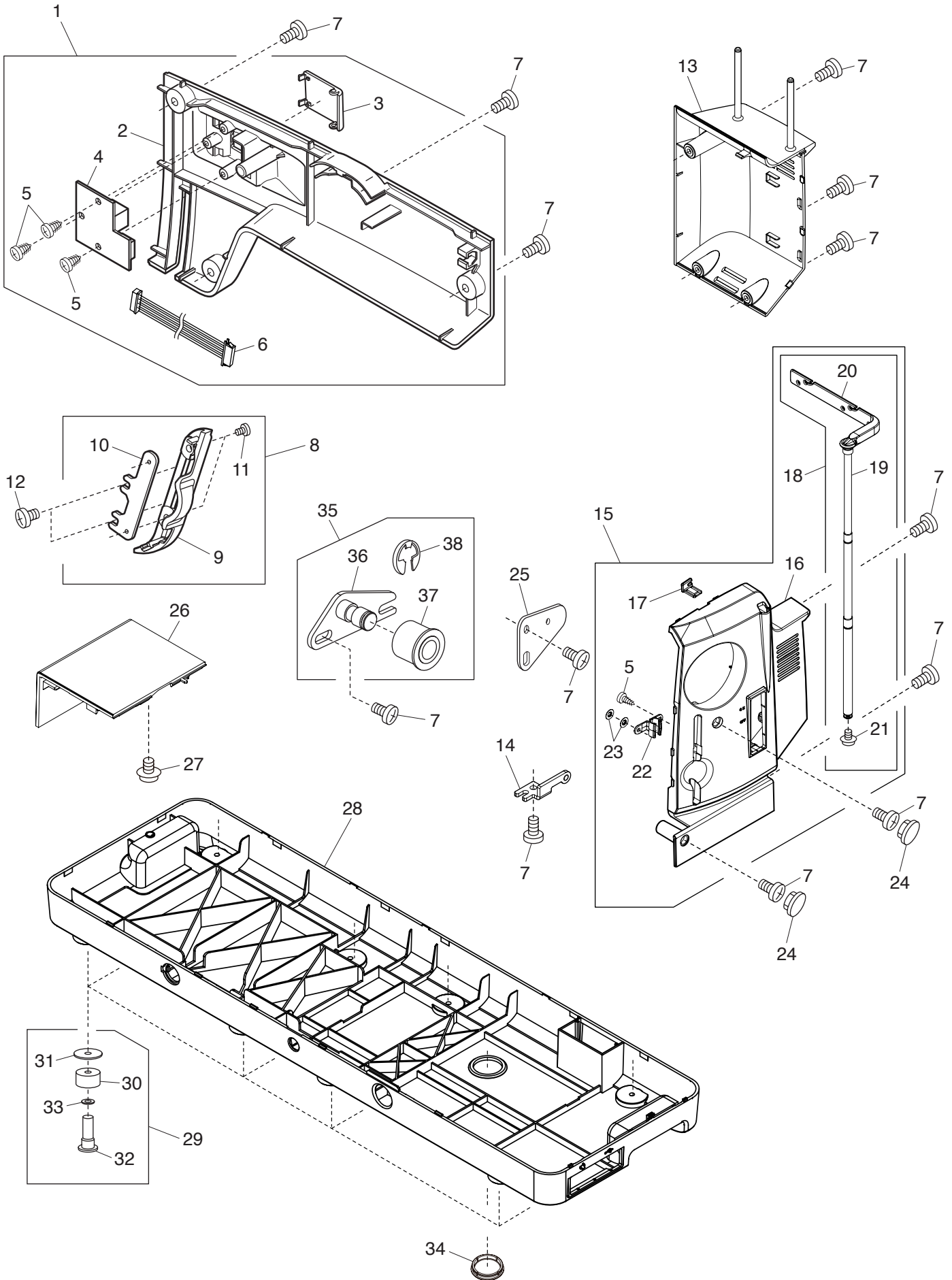
PARTS LIST



PARTS LIST

KEY NO.	PARTS NO.	DESCRIPTION	KEY NO.	PARTS NO.	DESCRIPTION
1	867657009	Needle bar supporter (unit)	51	000078319	Setscrew 3x6
2	867178001	Needle bar supporter	52	000053008	Cord binder
3	000111902	Hexagonal socket screw 3x4	53	867647006	Arm thread guide (unit)
4	858538304	Needle bar (unit)	54	867068007	Arm thread guide
5	829027006	Supporter guide plate	55	866058207	Threader guide plate
6	858540000	Rotation pin stopper (unit)	56	000097406	Setscrew 3x3
7	858541001	Threader guide ring (unit)	57	867626009	Zigzag width rod (unit)
8	858172007	Needle bar supporter spring	58	867067006	Zigzag width rod
9	846515009	Needle bar supporter (unit)	59	827088009	Zigzag width rod spring
10	867658000	Threader shaft (unit)	60	820373003	Setscrew 2x3
11	867179002	Threader shaft	61	000002105	Snap ring E-3
12	000265500	Guide pin E-2x12-CH	62	678084306	Eccentric pin
13	000265603	Guide pin E-2x6-CH	63	865616206	Zigzag width motor (unit)
14	867180006	Threader arm			
15	869025008	Cam pin			
16	869026009	Needle threader spring			
17	539061004	Washer			
18	869609013	Thread guide base (unit)			
19	869610006	Hook holder (unit)			
20	000003508	Spring pin 2x8			
21	000001207	Snap ring E-2.5			
22	869030006	Needle threader return spring			
23	867181007	Spring supporter			
24	000103808	Setscrew 3x5			
25	867182008	Thread release plate			
26	000081500	Setscrew 3x12			
27	735144006	Needle bar supporter pin			
28	000002507	Snap ring E-4			
29	000070609	Washer 6			
30	673022002	Washer			
31	000111201	Hexagonal socket screw 4x4			
32	647814031	Needle			
33	827083004	Supporter guide pin			
34	000216805	Hexagonal socket screw 3x3			
35	867624018	Front bracket (unit)			
36	867064014	Front bracket			
37	852502323	Printed circuit board G1 (unit)			
38	853028002	Insulation sheet			
39	000101105	Setscrew 3x4			
40	846044002	Sensor base plate			
41	808673400	Buttonhole lever (unit)			
42	000002105	Snap ring E-3			
43	830057021	Buttonhole lever guide			
44	000081005	Setscrew 4x8			
45	844038018	Needle bar supporter spring			
46	867625019	LED cover 1 (unit)			
47	867066016	LED cover 1			
48	867520002	Printed circuit board L3 (unit)			
49	867158005	Diffusion film			
50	867166006	LED light shield			

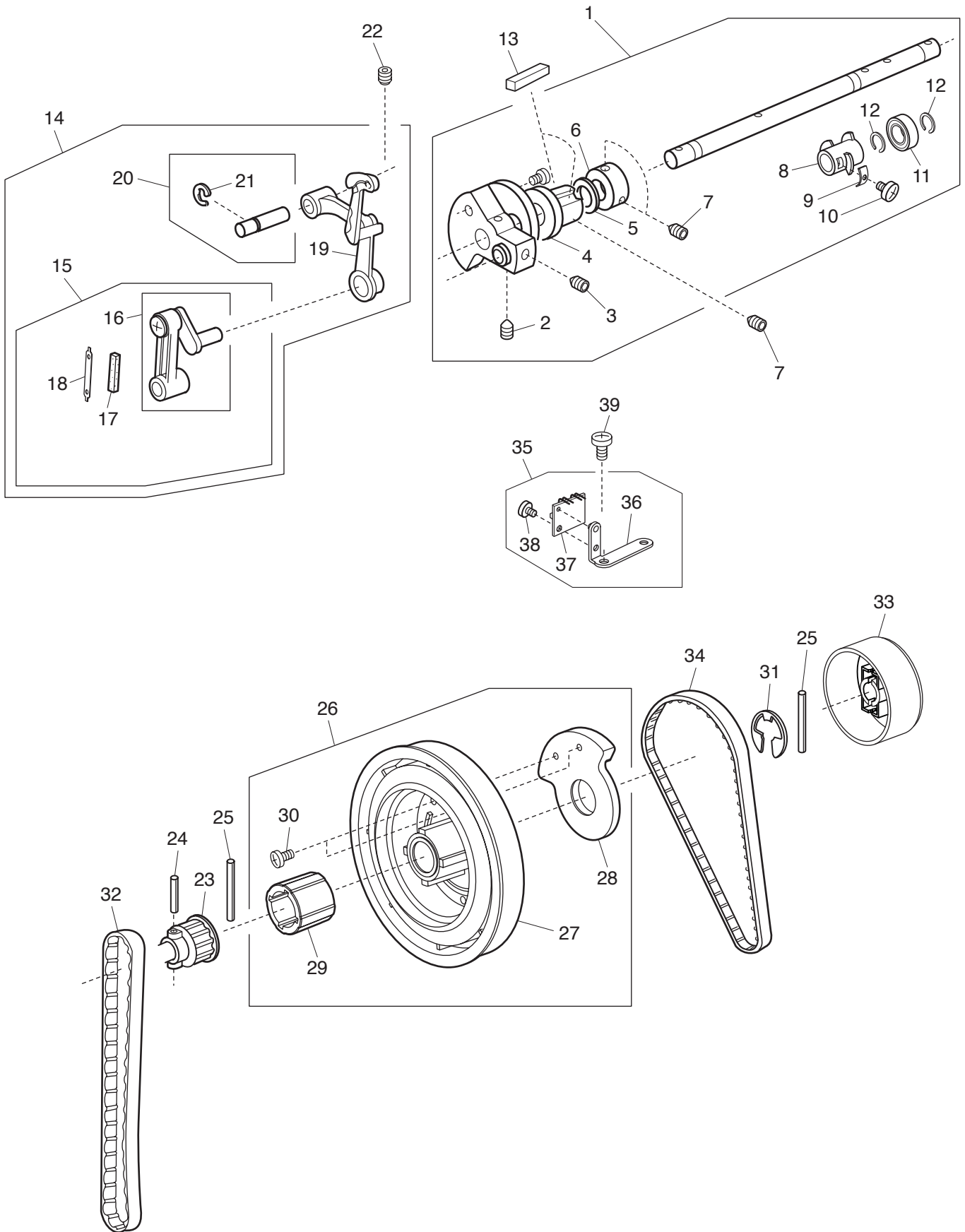
PARTS LIST



PARTS LIST

KEY NO.	PARTS NO.	DESCRIPTION
1	867660005	Rear cover (unit)
2	867185001	Rear cover
3	868025005	Connector cover (rear)
4	868527002	Printed circuit board U (unit)
5	000120203	Setscrew 3x8 (B)
6	869501003	Relay harness (unit)
7	000081005	Setscrew 4x8
8	868653008	Thumb wheel cover (unit)
9	868046002	Thumb wheel cover
10	868225007	Thumb wheel cover set plate
11	000170600	Setscrew 2x5
12	000078319	Setscrew 3x6
13	867146000	Power supply cover
14	867147001	Belt cover set plate
15	867652004	Belt cover (unit)
16	867148002	Belt cover
17	840602006	Thread cutter (unit)
18	867653005	Thread guide stand (unit)
19	784177000	Thread guide antenna
20	867155002	Thread guide stand
21	000115700	Setscrew TP 4x10
22	862112002	Hold clip
23	000014306	Snap ring CS-3
24	745033002	Cap
25	858114001	Belt cover set plate
26	867149003	Thread cutter cover
27	000114709	Setscrew TP 3x6
28	867150007	Base
29	866630003	Rubber foot (unit)
30	797363016	Rubber foot
31	866070009	Rubber foot washer
32	784169009	Rubber foot screw
33	000070300	Washer 5
34	626045407	Cap
35	867656008	Idler (unit)
36	867170003	Idler base
37	625217100	Idler
38	000002806	Snap ring E-6

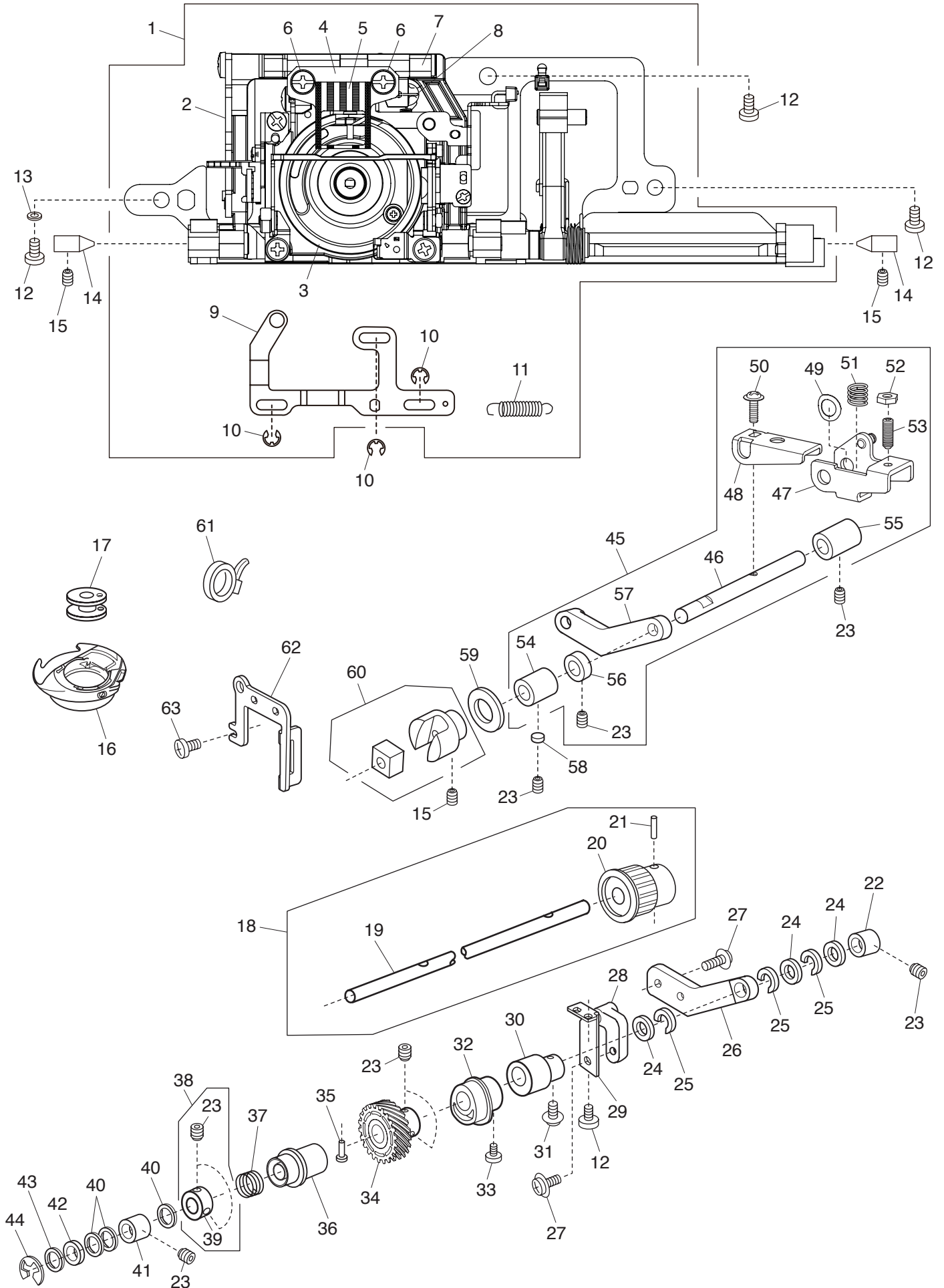
PARTS LIST



PARTS LIST

KEY NO.	PARTS NO.	DESCRIPTION
1	867602010	Upper shaft (unit)
2	000111706	Hexagonal socket screw 5x8
3	000110901	Hexagonal socket screw 5x4
4	670079407	Upper shaft front bushing
5	000040105	Washer
6	767077017	Ring
7	000111304	Hexagonal socket screw 5x5
8	862002008	Upper shaft shield plate
9	859033008	Washer
10	000080406	Setscrew 3x10
11	767178101	Ball bearing
12	000032702	Snap ring crescent
13	731312005	Felt
14	865618002	Thread take-up lever (whole unit)
15	846615103	Needle bar crank (unit)
16	843543007	Needle bar crank pin (unit)
17	650040005	Felt
18	650041006	Felt holder leaf spring
19	820511108	Thread take-up lever (unit)
20	650626001	Thread take-up lever pin (unit)
21	000002806	Snap ring E-6
22	000111201	Hexagonal socket screw 4x4
23	858052000	Upper shaft gear
24	000004303	Spring pin 3x20
25	000024206	Spring pin 3x30
26	866628008	Belt wheel (unit)
27	858054002	Belt wheel
28	862003009	Belt wheel hold
29	866081003	Balance weight
30	000066705	Setscrew 3x8
31	000030009	Snap ring E-10
32	000279105	Syncrobelt 194XL
33	867015009	Handwheel
34	000279600	Syncrobelt 191XXL
35	861620603	Upper shaft sensor (unit)
36	861039001	Sensor set plate
37	807505603	Printed circuit board P (unit)
38	000101105	Setscrew 3x4
39	000081005	Setscrew 4x8

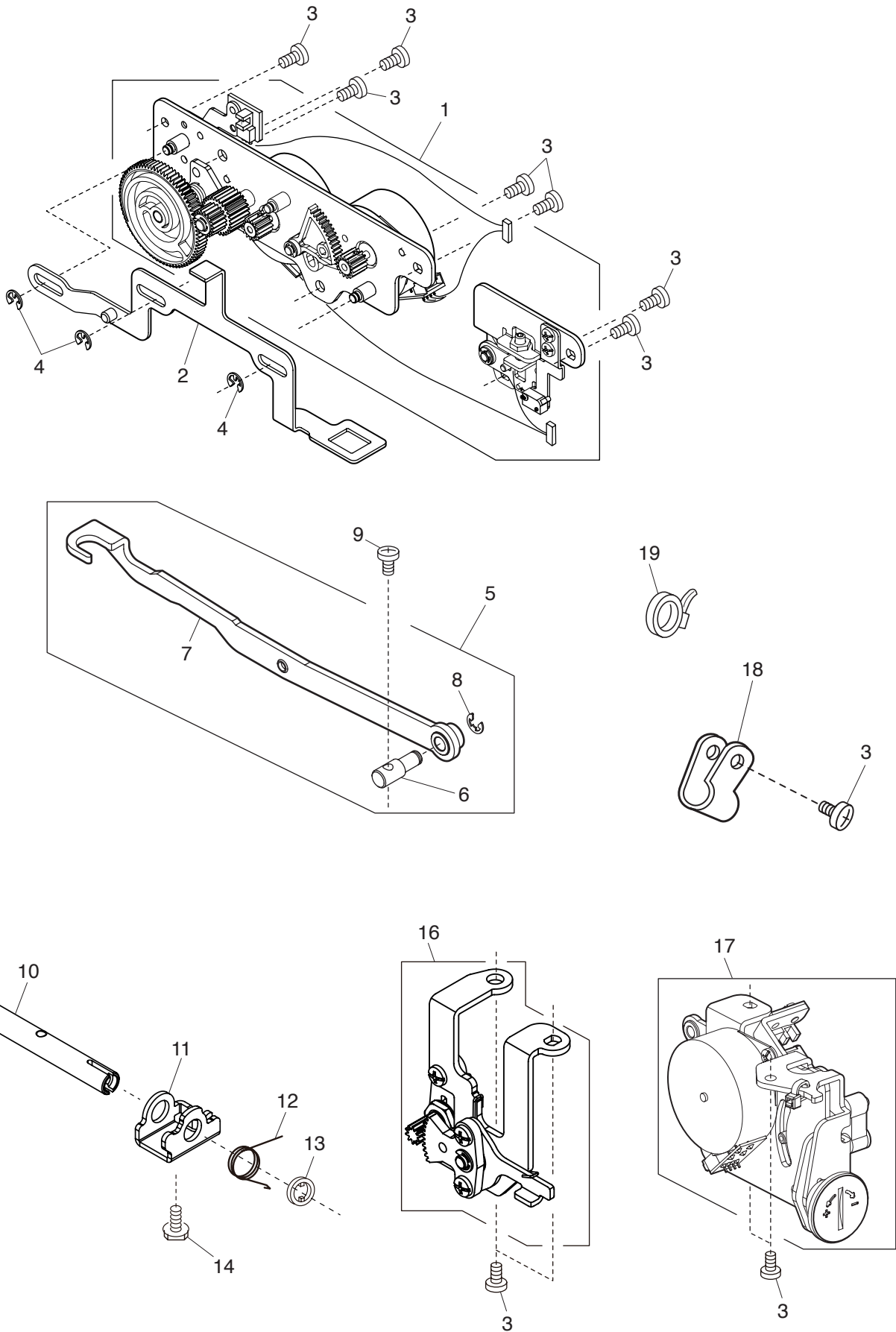
PARTS LIST



PARTS LIST

KEY NO.	PARTS NO.	DESCRIPTION	KEY NO.	PARTS NO.	DESCRIPTION
1	867606106	Feed rock shaft (whole unit)	51	589040002	Spring
2	867607004	Feed rock shaft (unit)	52	000160102	Adjustable lock nut 4
3	867609006	Hook race (unit)	53	000177401	Hexagonal socket screw 4x12
4	867612002	Feed base (unit)	54	625144002	Feed shaft bushing (front)
5	867033003	Feed dog	55	650092002	Feed shaft bushing (rear)
6	000104005	Setscrew 3.5x8	56	820387000	Ring
7	825099007	Feed base shaft	57	867020007	Feed shaft supporter
8	825103005	Feed base spring	58	650175000	Cushion
9	858138001	Drop plate	59	823110009	Felt
10	000002105	Snap ring E-3	60	625508008	Feed regulator (unit)
11	661018008	Spring	61	000053008	Cord binder
12	000081005	Setscrew 4x8	62	867038008	Feed lifting adjusting plate (2)
13	000070506	Washer 4	63	000101105	Setscrew 3x4
14	738055008	Straight pin			
15	000111304	Hexagonal socket screw 5x5			
16	867513002	Bobbin holder (unit)			
17	102261103	Bobbin			
18	867613003	Lower shaft (unit)			
19	867035005	Lower shaft			
20	650073007	Lower shaft gear			
21	000004200	Spring pin 3x18			
22	650079003	Lower shaft bushing (rear)			
23	000111201	Hexagonal socket screw 4x4			
24	822070003	Felt (1)			
25	822112008	Felt holder (1)			
26	858058006	Lower shaft supporter			
27	000197407	Setscrew TP 4x12			
28	867036006	Lower shaft supporter			
29	867037007	Lower shaft supporter mount			
30	846379009	Feed cam			
31	000149600	Setscrew 3x14			
32	866015006	Feeding lever cam			
33	000078319	Setscrew 3x6			
34	808137005	Lower shaft gear			
35	820161006	Feed lifting pin			
36	846103000	Feed lifting cam			
37	825093001	Feed lifting cam spring			
38	820672005	Lower shaft ring (unit)			
39	820166001	Lower shaft ring			
40	000038502	Washer			
41	858060001	Lower shaft bushing (front)			
42	735143005	Felt			
43	858177002	Lower shaft washer			
44	000002806	Snap ring E-6			
45	867604001	Feed shaft (unit)			
46	867019003	Feed shaft			
47	858129009	Feed arm 1			
48	858130003	Feed arm 2			
49	810207004	Washer			
50	000201302	Setscrew TP 3x10			

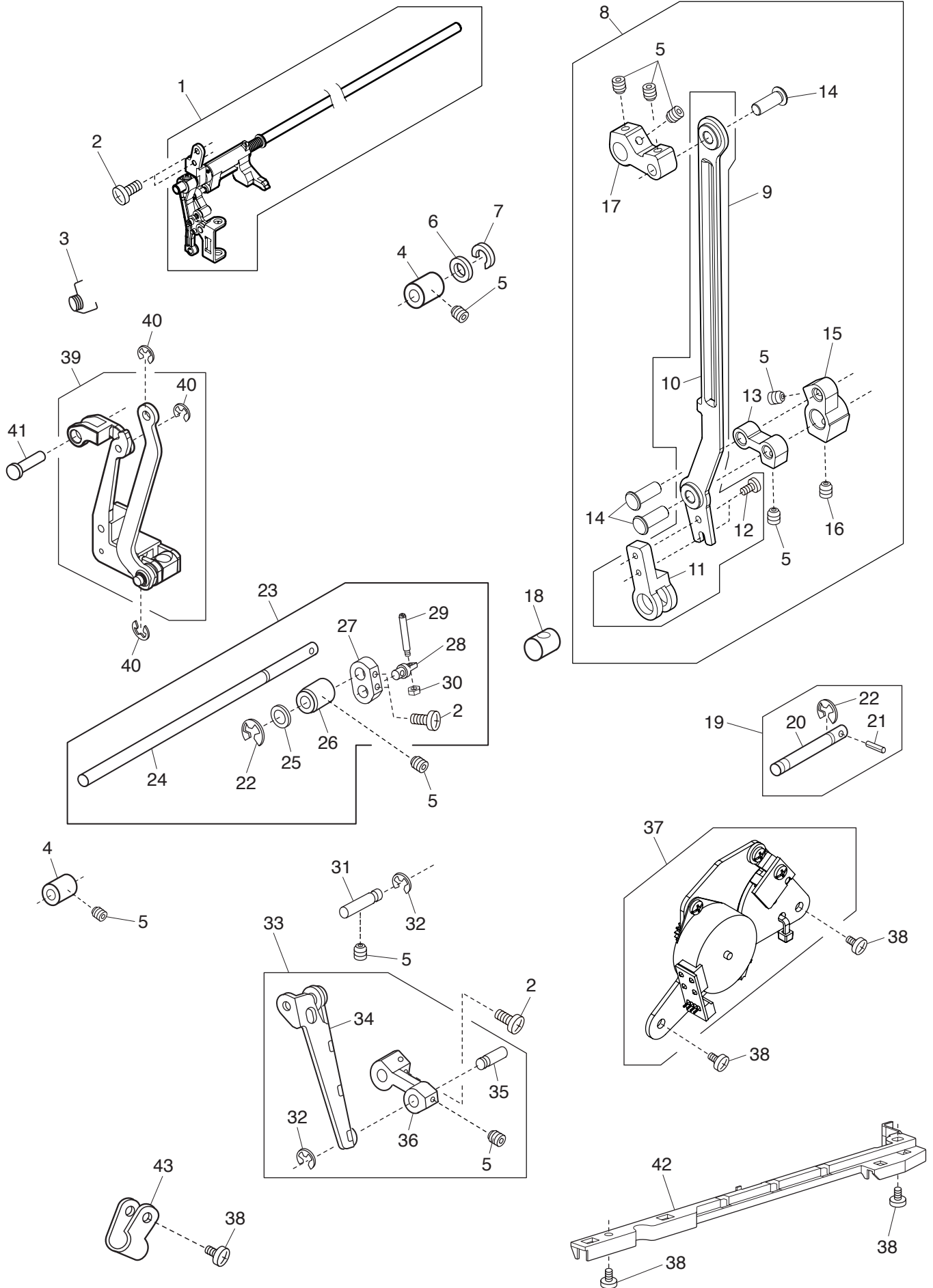
PARTS LIST



PARTS LIST

KEY NO.	PARTS NO.	DESCRIPTION
1	867623017	Presser foot lifter motor (unit)
2	867062001	Withdrawal rod
3	000081005	Setscrew 4x8
4	000002105	Snap ring E-3
5	863639003	Presser foot lifter shaft (unit)
6	859069003	Presser foot lifter shaft
7	859070007	Automatic presser foot lifter lever
8	000002507	Snap ring E-4
9	000101703	Setscrew 4x12
10	867016000	Knee lifter shaft
11	867017001	Knee lifter stopper
12	859022004	Knee lifter stopper spring
13	846297002	Knee lifter slip guard
14	000138503	Hexagonal socket bolt 5x12
15	000002208	Snap ring E-9
16	867603000	Knee lifter sensor (unit)
17	866605102	Feed motor (unit)
18	000188209	Nylon clip ACC-1.5
19	000053008	Cord binder

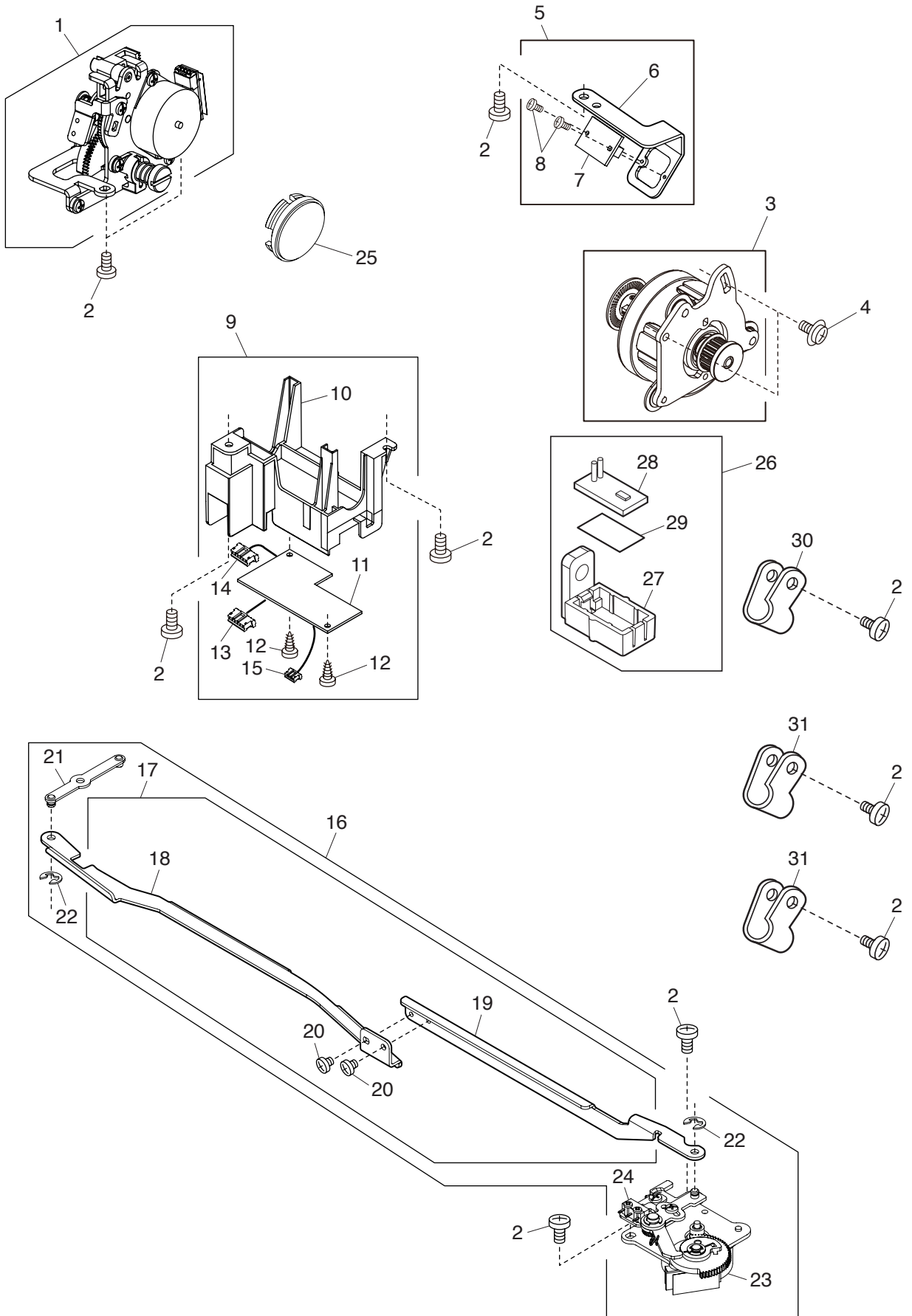
PARTS LIST



PARTS LIST

KEY NO.	PARTS NO.	DESCRIPTION
1	867614004	Upper feed upper shaft (unit)
2	000103509	Setscrew 4x10
3	867045008	Spring
4	784071003	Looper shaft bushing
5	000111201	Hexagonal socket screw 4x4
6	822070003	Felt (1)
7	822112008	Felt holder (1)
8	867616006	Upper feed adjusting arm (unit)
9	867617007	Upper feed connecting link (unit)
10	867043006	Upper feed connecting link
11	846307006	Connecting link
12	000066705	Setscrew 3x8
13	846349000	Upper feed adjusting link
14	820144003	Pin
15	846350004	Upper feed adjusting arm (1)
16	000111304	Hexagonal socket screw 5x5
17	867044007	Upper feed upper shaft rear arm
18	846348009	Rear arm feed lifting roller
19	867618008	Upper feed adjusting shaft (unit)
20	867046009	Upper feed adjusting shaft
21	000004303	Spring pin 3x20
22	000002806	Snap ring E-6
23	867619009	Upper feed lower shaft (unit)
24	867047000	Upper feed lower shaft (1)
25	000038502	Washer
26	846303002	Upper feed lower shaft bushing
27	867048001	Upper feed lower shaft middle arm
28	867049002	Upper feed lower shaft (2)
29	867050006	Upper feed lower shaft rear arm
30	000061102	Nut 4-1-7
31	502258109	Connecting pin
32	000002507	Snap ring E-4
33	858623008	Feed connecting link (unit)
34	858068009	Feed connecting link
35	502258006	Connecting pin
36	846304106	Upper feed lower shaft front arm
37	867620003	Upper feed regulator (unit)
38	000081005	Setscrew 4x8
39	859627119	Upper feed foot (unit)
40	000002105	Snap ring E-3
41	846327002	Pin (1)
42	865041008	Cord guide (free arm)
43	000188209	Nylon clip ACC-1.5

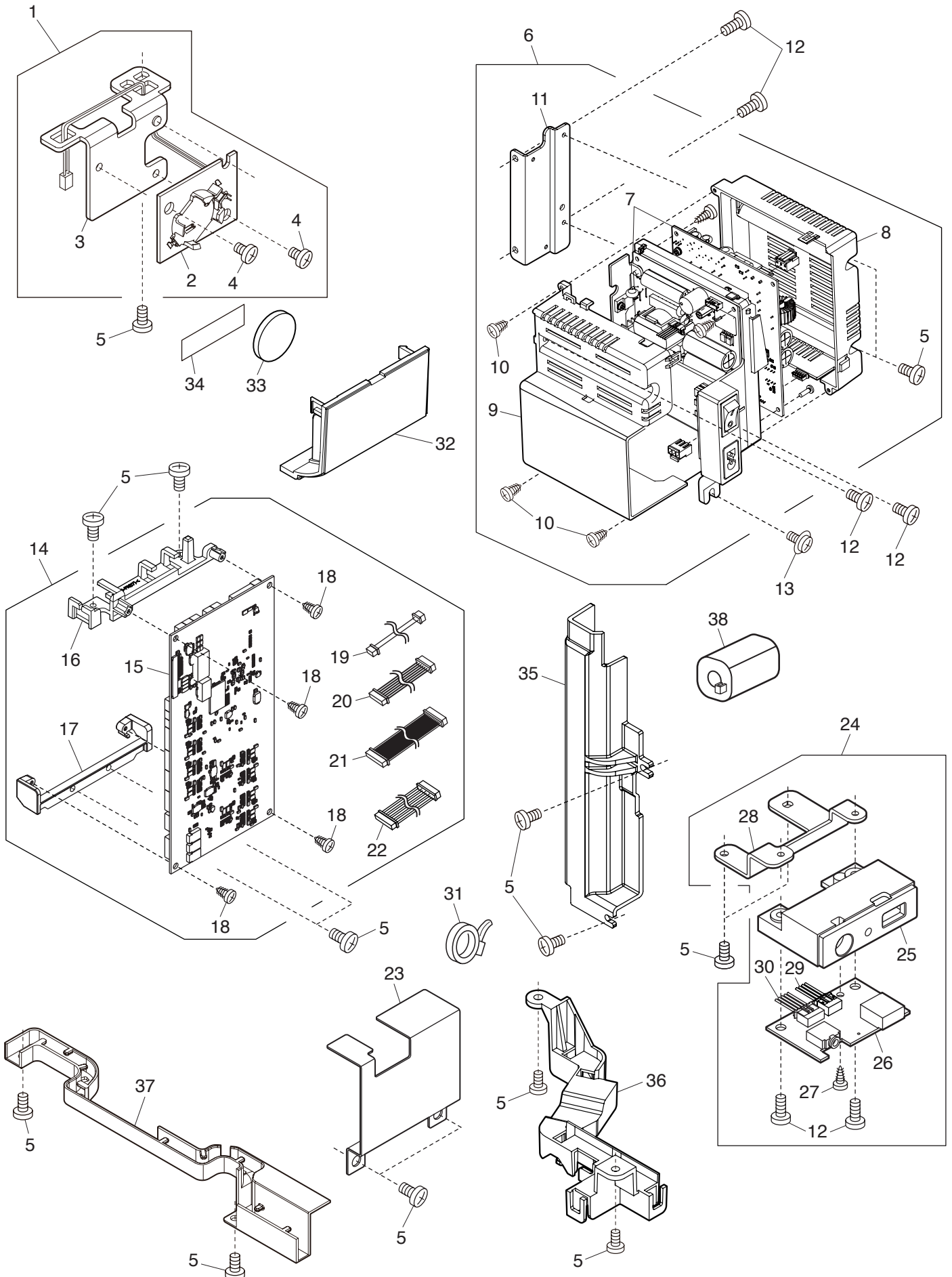
PARTS LIST



PARTS LIST

KEY NO.	PARTS NO.	DESCRIPTION
1	867631007	Needle plate removing motor (unit)
2	000081005	Setscrew 4x8
3	867634000	Brushless DC motor (unit)
4	000115607	Setscrew TP 4x8
5	867635001	Printed circuit board V (unit)
6	867100002	PCB set plate
7	867525007	Motor harness (unit)
8	000170600	Setscrew 2x5
9	867636105	Printed circuit board U (unit)
10	867102107	Cord guide 2
11	868545006	Printed circuit board U3 (unit)
12	000120203	Setscrew 3x8 (B)
13	867526008	Relay harness (24P)
14	867527009	Relay harness (20P)
15	867536001	Relay harness (4P)
16	867629002	Feed dog drop motor (unit)
17	867655007	Drop rod (unit)
18	867159006	Drop rod 1
19	867160000	Drop rod 2
20	000101105	Setscrew 3x4
21	858139002	Drop connecting plate
22	000002105	Snap ring E-3
23	811510006	Stepping motor (unit)
24	867630006	Feed dog drop switch (unit)
25	867151008	Needle plate replacing motor cover
26	867640009	LED cover 2 (unit)
27	867113008	LED cover 2
28	867511000	Printed circuit board L2 (unit)
29	867165005	Diffusion film 2
30	000188003	Nylon clip ACC-1
31	000188209	Nylon clip ACC-1.5

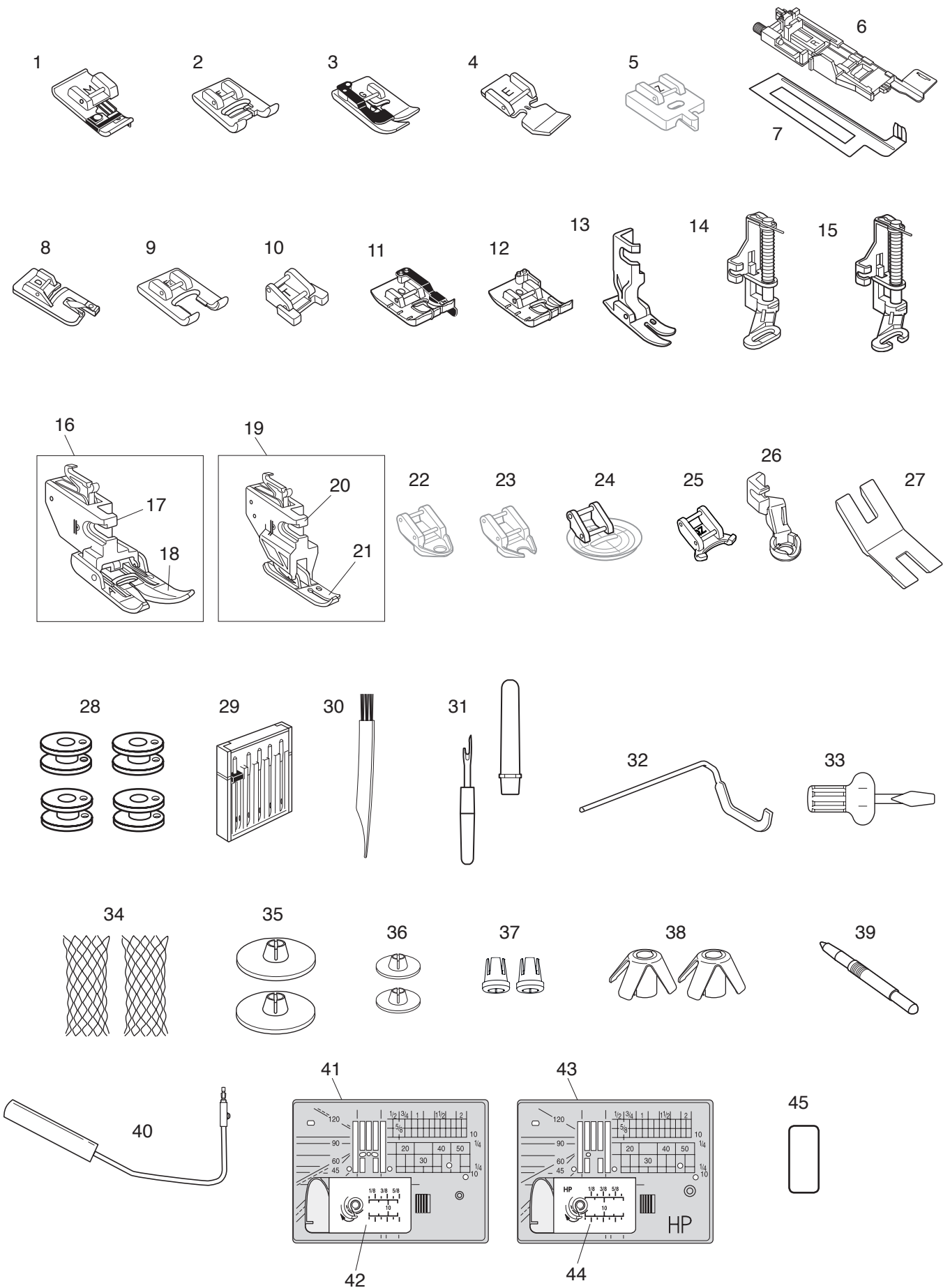
PARTS LIST



PARTS LIST

KEY NO.	PARTS NO.	DESCRIPTION
1	867638004	Printed circuit board D (unit)
2	867509005	Printed circuit board D
3	867105007	Battery set plate board
4	000103705	Setscrew 4x5
5	000081005	Setscrew 4x8
6	867639005	Switching power supply (unit) (U.S.A.) (Canada)
	867639108	Switching power supply (unit) (Australia) (UK) (Continental Europe)
7	867510009	Switching power supply
8	867111017	Switching power supply case 2
9	867112007	Switching power supply case 3
10	000161206	Setscrew 3x10 (B)
11	867109001	Heat sink
12	000103509	Setscrew 4x10
13	000115607	Setscrew TP 4x8
14	867659001	Printed circuit board S (unit)
15	867550001	Printed circuit board S
16	867183009	S board mount bar
17	867115000	A board mount bar 2
18	000120203	Setscrew 3x8 (B)
19	868530204	Relay harness (2P)
20	867546004	Relay harness (7P)
21	868533104	Relay harness (26P)
22	868535106	Relay harness (10P)
23	867184000	Harness shield plate
24	867637106	Printed circuit board B case (unit)
25	867103005	Printed circuit board B case
26	867508004	Printed circuit board B (unit)
27	000107307	Setscrew 3x8 (B)
28	867104006	B board case set plate
29	867528103	Relay harness
30	867529104	Switching power supply harness
31	000053008	Cord binder
32	867152009	Base cover
33	867537002	Coin cell battery (CR2032)
34	867169009	Insulation sheet
35	867117105	Belt cord guide
36	867101106	Cord guide 1
37	867116001	Cord guide 3
38	867539004	Ferrite core (Australia) (UK) (Continental Europe)

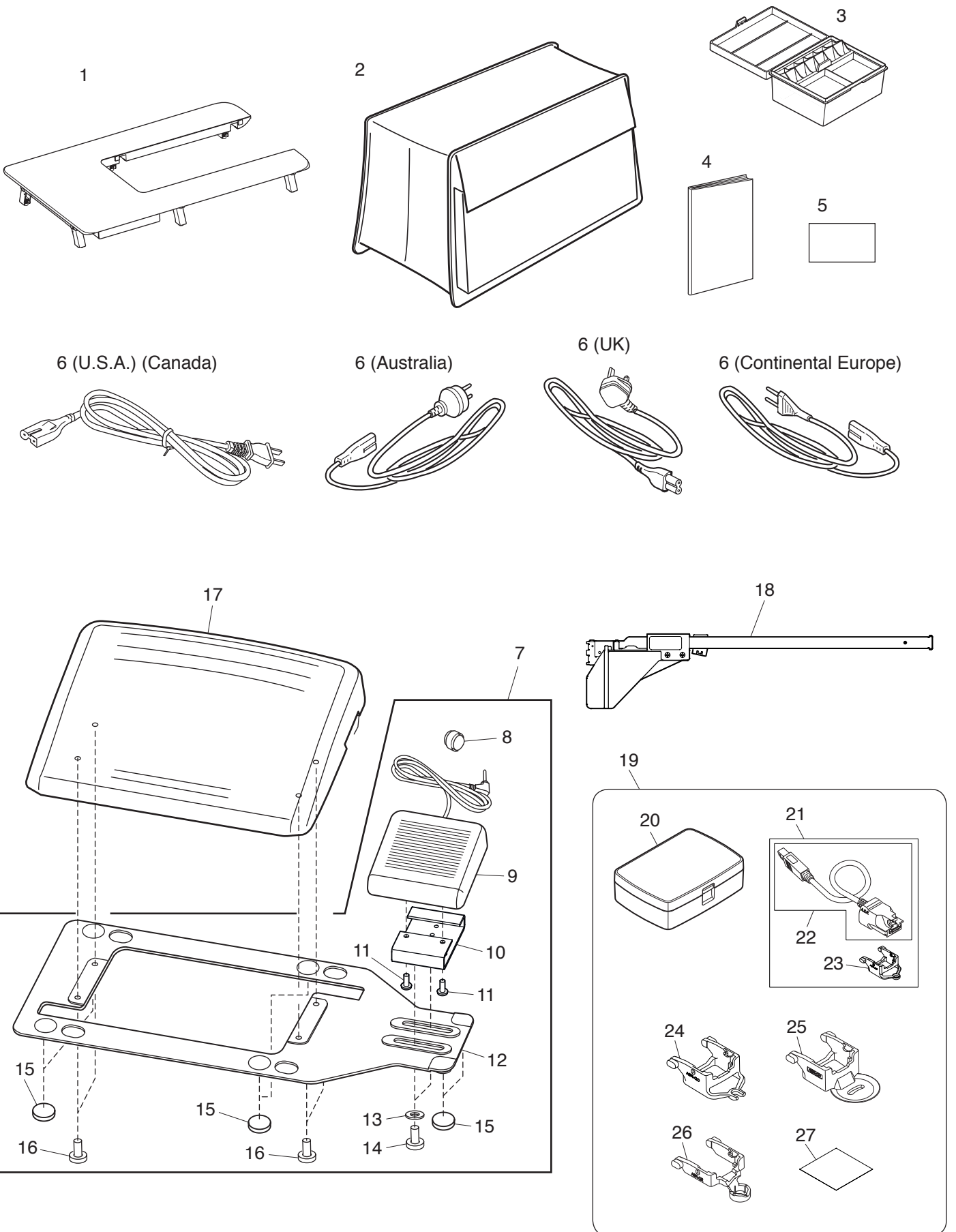
PARTS LIST



PARTS LIST

KEY NO.	PARTS NO.	DESCRIPTION
1	859810007	Overcasting foot M
2	859806011	Satin stitch foot F
3	859807001	Blind hemming foot G
4	859805009	Zipper foot E
5	859815002	Invisible zipper foot Z
6	862822013	Automatic buttonhole foot R
7	859832016	Stabilizer plate
8	859804008	Rolled hem foot D
9	859813000	Open-toe satin stitch foot F2
10	859811008	Button sewing foot T
11	859814012	1/4" seam foot O
12	202313104	1/4" seam foot O (without guide)
13	865803006	Professional grade foot HP
14	859839002	Darning foot PD-H
15	859839013	Darning foot (open-toe) PD-H
16	859819017	Dual feed foot AD (unit)
17	859817015	Dual feed foot holder
18	859819109	Dual feed foot AD (twin)
19	865522008	Dual feed plus foot HP2
20	865516009	Dual feed plus foot holder
21	865523009	Dual feed plus foot HP2
22	859836009	Free motion quilting closed-toe foot QC
23	859837000	Free motion quilting open-toe foot QO
24	859812009	Free motion quilting zigzag foot QV
25	862895006	Variable zigzag open-toe foot QZ
26	862896007	Ruler work foot QR
27	832820007	Button shank plate
28	102261103	Bobbin
29	859856005	Needle set
30	802424004	Lint brush
31	647808009	Seam ripper (Buttonhole opener)
32	755802001	Quilting guide bar
33	820832005	Screwdriver
34	624806006	Net
35	822020503	Spool holder (large)
36	822019509	Spool holder (small)
37	862408008	Spool holder (special)
38	770850001	Spool rest
39	860194002	Touch panel stylus
40	846417011	Knee lifter
41	867802001	Straight stitch needle plate
42	809136100	Hook cover (Straight stitch needle plate)
43	867803002	Professional grade needle plate HP
44	809136A01	Hook cover (Professional grade needle plate)
45	101627A08	Threading guide sticker

PARTS LIST



PARTS LIST

KEY NO.	PARTS NO.	DESCRIPTION
1	867806027	Extension table
2	867801000	Semi-hard fabric cover
3	866801007	Accessory box
4	867800205	Instruction book (English)
	867800216	Instruction book (French)
	867800238	Instruction book (German)
	867800249	Instruction book (Dutch)
5	858801002	Caution card
6	856519004	Power cable (U.S.A.) (Canada)
	830314018	Power cable (Australia)
	830377008	Power cable (UK)
	830335004	Power cable (Continental Europe)
7	867808007	Thread cutter switch (unit)
8	767849306	Cable Tie
9	213815101A	Foot switch
10	767849214	Foot switch stand
11	000198305	Setscrew 4x10 (B)
12	767849100	Base plate
13	000072508	Washer 4
14	865045002	Setscrew
15	525010005	Rubber sole
16	000081005	Setscrew 4x8
17	043770104	Foot control (unit)
18	868827005	Cloth guide
19	869411108	A.S.R. case (unit) (Canada) (Australia) (UK) (Continental Europe)
20	869408009	A.S.R. case
21	868835006	A.S.R. (Accurate Stitch Regulator) with ASR-QC
22	868835017	A.S.R.
23	868837008	A.S.R. closed-toe foot ASR-QC
24	868837101	A.S.R. open-toe foot ASR-QO
25	868837204	A.S.R. clear-view foot ASR-QV
26	868837307	A.S.R. ruler work foot ASR-QR
27	103333007	A.S.R. instruction card