

PARTS LIST

MODEL: HD9

First Edition: 16 October 2018

Modified info.

Modified: 24 December 2019

P40-1: Image modified.

P40-2: Image modified.

P41-1: 767587004 Hook race (unit) → 767587004 Hook race (unit) V1

P41-1: 767594004 Hook race (unit) V2 added.

P41-2: 767588005 Bobbin case (unit) → 767588005 Bobbin case (unit) V1

P41-2: 767595005 Bobbin case (unit) V2 added.

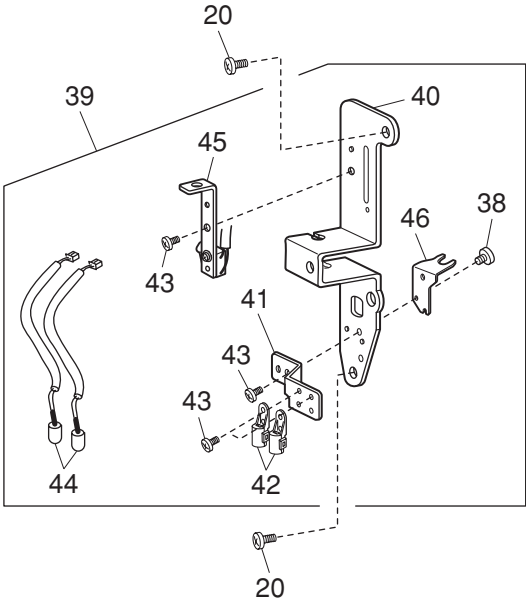
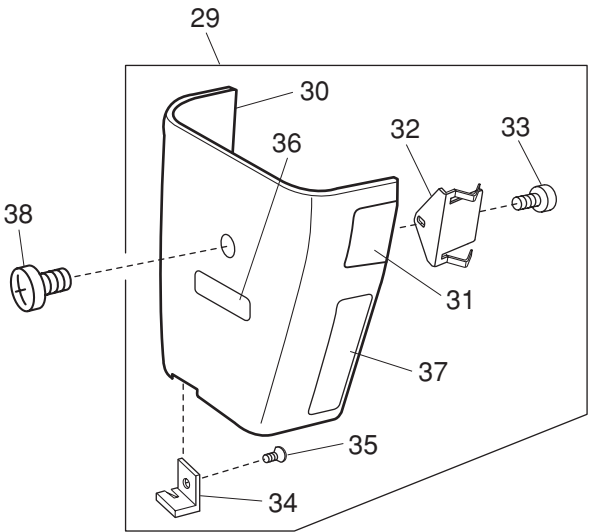
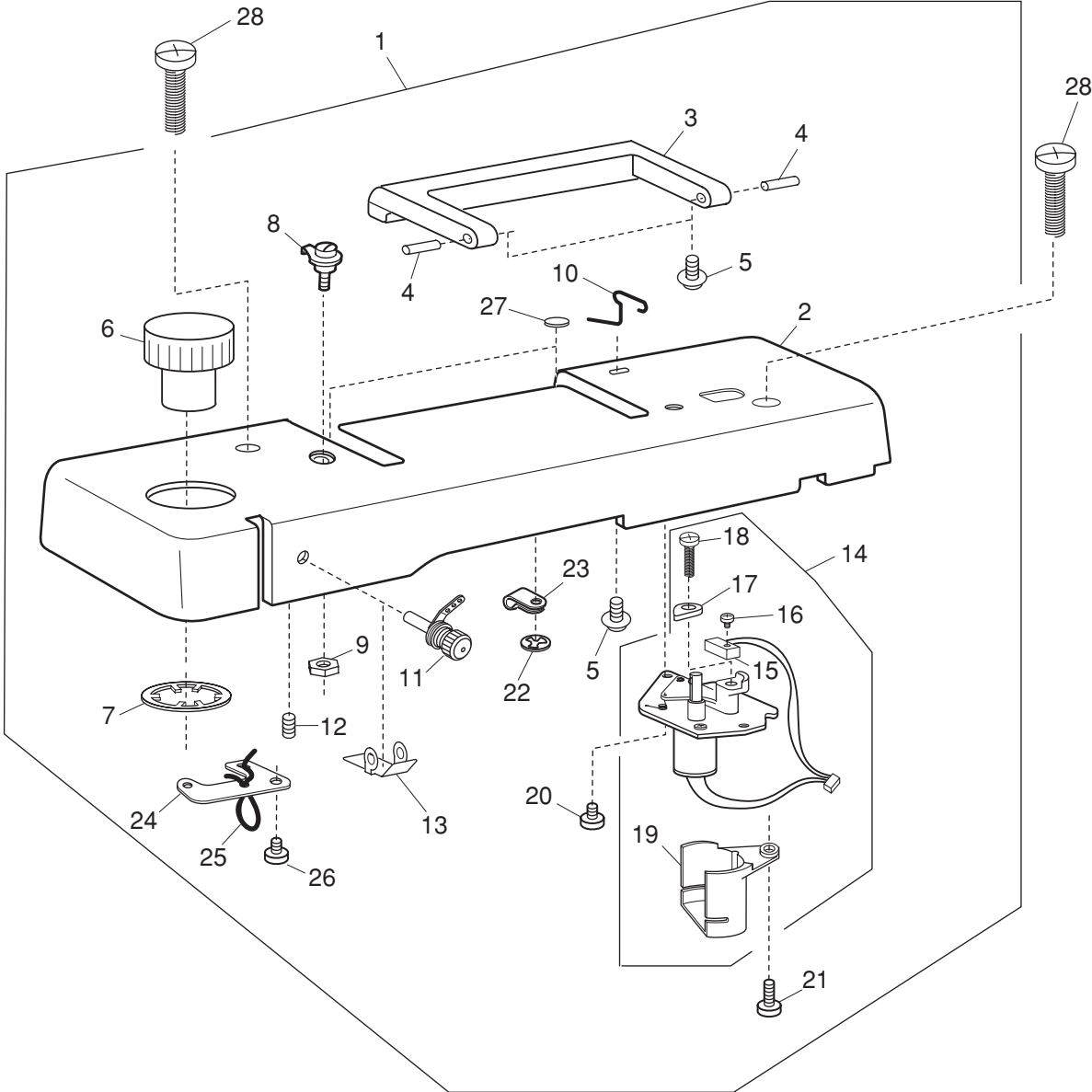
P41-3: 770591001 Bobbin → 770591001 Bobbin V1

P41-3: 767860107 Bobbin V2 added.

P49-4: 770591001 Bobbin → 770591001 Bobbin V1

P49-4: 767860107 Bobbin V2 added.

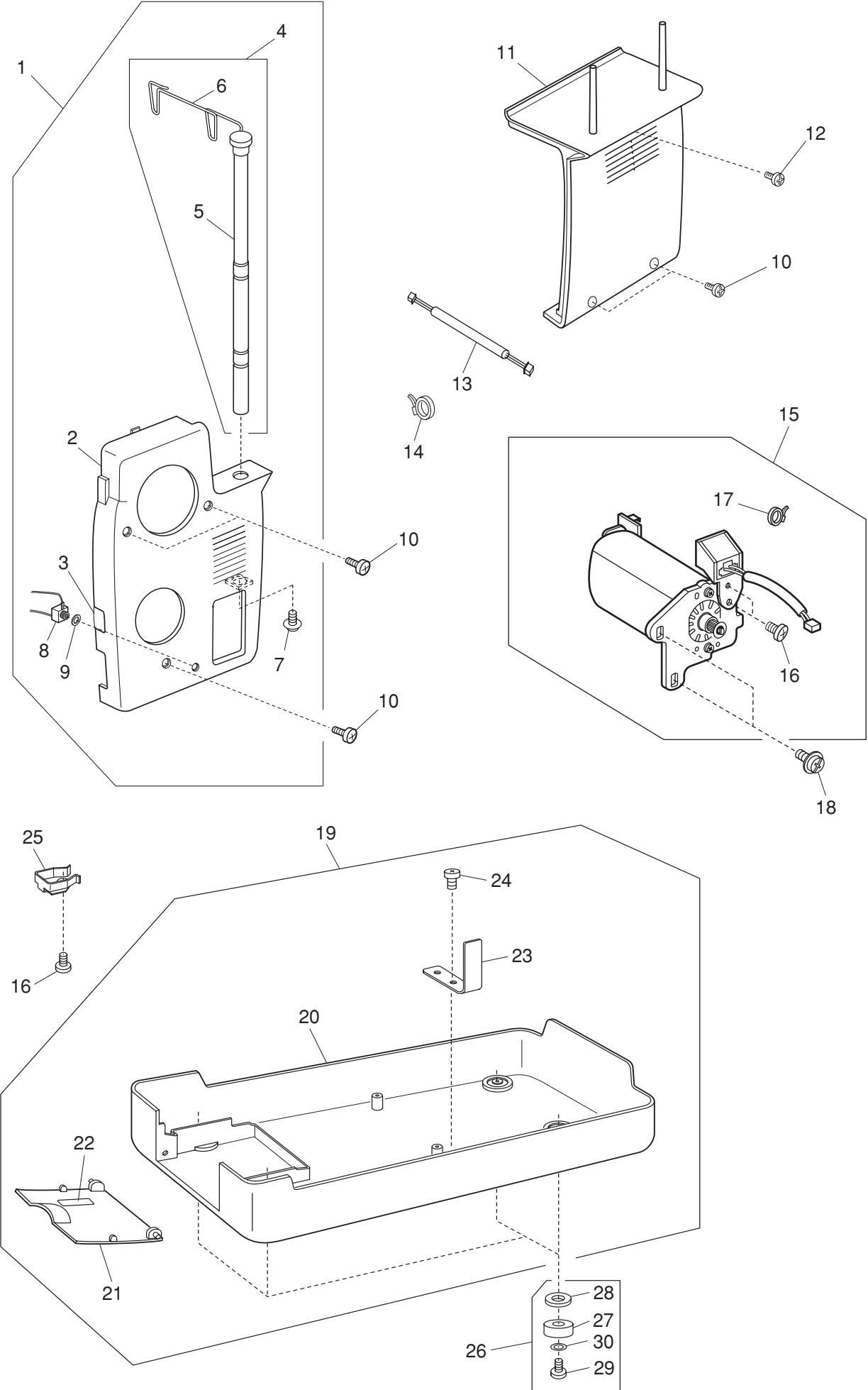
PARTS LIST



PARTS LIST

NO.	Part number	Description
1	767603111	Top cover (unit)
2	767007B01	Top cover
3	846015004	Handle
4	846016005	Pin
5	000115205	Setscrew TP 4x6
6	767008109	Foot pressure adjusting dial
7	000015101	Snap ring CS-22
8	767639002	Thread guide (unit)
9	000160102	Adjustable lock nut 4
10	846021003	Top cover thread guide
11	767514608	Pre-tension (unit)
12	000111201	Hexagonal socket screw 4x4
13	846227001	Handle spring
14	767604204	Bobbin winder (unit)
15	846514101	Micro switch
16	000078700	Setscrew TP 2x8
17	846177005	Bobbin winder stopper
18	000104119	Setscrew 4x20
19	846179007	Motor cover
20	000081005	Setscrew 4x8
21	000101703	Setscrew 4x12
22	000014007	Snap ring CS-4
23	000188405	Nylon clip
24	767152006	Oil wick fixing plate
25	763033204	Oil wick
26	000101404	Setscrew 4x6
27	767211004	Felt
28	000080901	Setscrew 4x25
29	767602051	Face plate (unit) (U.S.A.) (Canada)
	767602062	Face plate (unit) (Continental Europe) (UK) (Australia)
30	767005106	Face plate
31	767006A01	Foot pressure display window
32	767197003	Presser bar base
33	000103004	Setscrew 3.5x6
34	840602109	Thread cutter (unit)
35	000095105	Setscrew 3x5
36	100517008	Caution sticker (U.S.A.) (Canada)
37	101631A01	Thread guide sticker
38	000103510	Setscrew 4x10
39	767580100	Front bracket (unit)
40	767016203	Front bracket
41	767356002	Lamp set plate
42	661031007	LED holder
43	000103808	Setscrew 3x5
44	767546001	LED (unit)
45	797696007	Presser foot lifter switch (unit)
46	767224000	Set plate

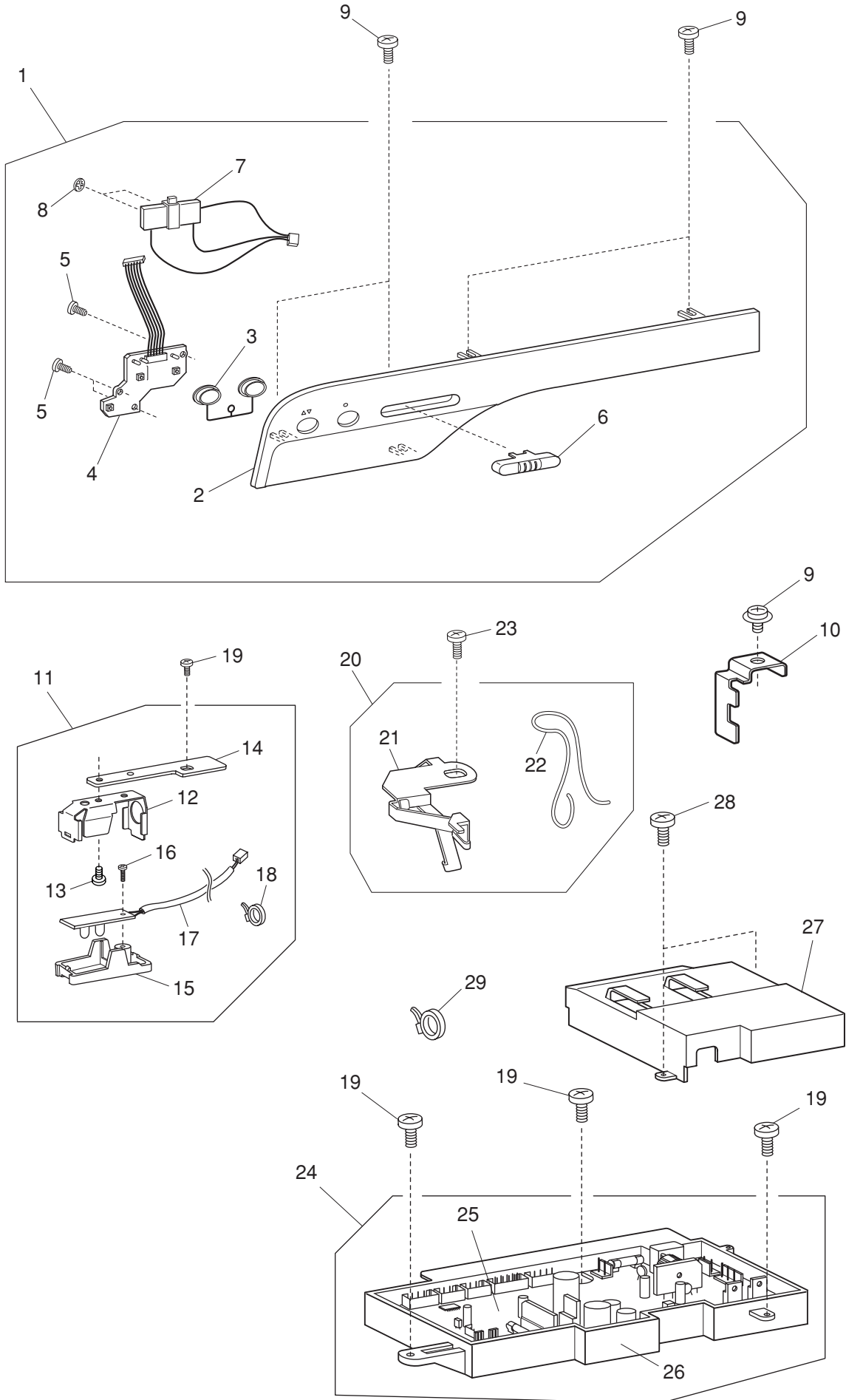
PARTS LIST



PARTS LIST

NO.	Part number	Description
1	767605124	Belt cover (unit)
2	767011A01	Belt cover
3	767014407	Stitch length window
4	767636009	Thread guide (unit)
5	784177000	Thread guide post
6	767015006	Thread guide bar
7	000115700	Setscrew TP 4x10
8	767589006	Jack cord (unit)
9	000071024	Washer 4
10	000170507	Setscrew 4x12
11	767010001	Motor cover
12	000101806	Setscrew 4x16
13	767590000	Cord
14	000053008	Cord binder
15	767653002	Motor (unit) (U.S.A.) (Canada)
	767665007	Motor (unit) (Continental Europe) (UK) (Australia)
16	000101404	Setscrew 4x6
17	000053008	Cord binder
18	000115504	Setscrew TP 5x10
19	767606930	Base (unit) (U.S.A.) (Canada)
	767606103	Base (unit) (Continental Europe) (UK) (Australia)
20	767012106	Base
21	767013004	Base cover
22	100045000	Caution sticker (U.S.A.) (Canada)
23	767188001	Table latch spring (2)
24	000171302	Setscrew 4x8 (B)
25	767187000	Table latch spring (1)
26	767643102	Bed rubber foot (unit)
27	797363016	Bed rubber foot
28	785260004	Bed rubber foot plate
29	784169010	Bed rubber foot screw
30	000070300	Washer 5

PARTS LIST



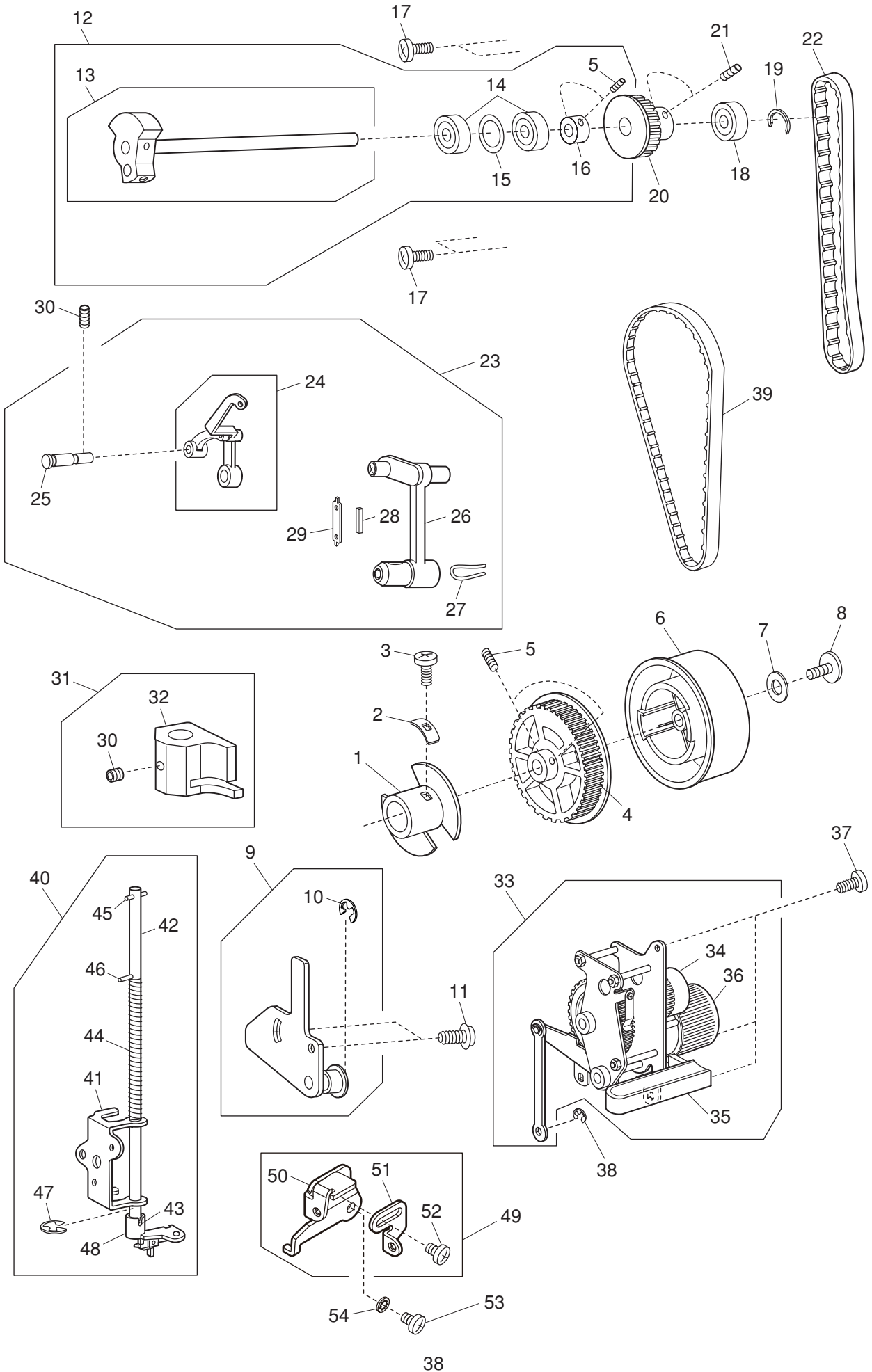
PARTS LIST

NO.	Part number	Description
1	767601289	Ornamental plate (unit)
2	767003B01	Ornamental plate
3	767004A01	Button 1
4	767501004	Printed circuit board F (unit)
5	000120203	Setscrew 3x8 (B)
6	767140506	Speed control slider
7	767516002	Slide volume (unit)
8	000014306	Snap ring CS-3
9	000115205	Setscrew TP 4x6
10	767285009	Cord guide (2)
11	767699000	Arm lamp (unit)
12	767126001	Reflector plate
13	000101127	Setscrew 3x4
14	767127002	Arm lamp set plate
15	767128106	Lamp holder
16	000161402	Setscrew 2.3x8 (B)
17	767547002	Printed circuit board LD1 (unit)
18	000053008	Cord binder
19	000081005	Setscrew 4x8
20	767612009	Oil wick fixing plate (2) (unit)
21	767153007	Oil wick fixing plate
22	763033020	Oil wick
23	000101404	Setscrew 4x6
24	767627111	Printed circuit board A (unit) (U.S.A.) (Canada)
	767627214	Printed circuit board A (unit) (Continental Europe) (UK) (Australia)
25	767582010	Printed circuit board A (U.S.A.) (Canada)
	767583011	Printed circuit board A (Continental Europe) (UK) (Australia)
26	767129004	Printed circuit board A case (lower)
27	767130008	Printed circuit board A case (upper)
28	000075109	Setscrew 3x12-2V
29	000053101	Cord binder

PARTS LIST

NO.	Part number	Description
1	767669001	Presser bar lifter (unit)
2	767026103	Presser bar lifter
3	767303004	Presser bar lifter sensor plate
4	000103808	Setscrew 3x5
5	767027001	Presser bar bracket
6	000111304	Hexagonal socket screw 5x5
7	767222008	Spring
8	000036201	Washer FT80
9	767225001	Spring 2
10	767028002	Presser bar
11	767029003	Presser spring
12	767030100	Foot pressure indicator
13	767031008	Foot pressure adjusting screw
14	767173003	Spacer
15	767172002	Presser bar sub-spring
16	762505003	Presser foot (unit) (U.S.A.) (Canada) (Australia)
	704511105	Presser foot (unit) (Continental Europe) (UK)
17	763048109	Setscrew
18	767039006	Arm thread guide (lower)
19	000101404	Setscrew 4x6
20	767168005	Needle threader guide plate
21	767041001	Needle bar bushing (upper)
22	767042002	Felt
23	000111201	Hexagonal socket screw 4x4
24	767091006	Needle bar bushing (lower)
25	767641030	Needle bar (unit)
26	767401047	Needle
27	767502603	Thread tension (unit)
28	000114710	Setscrew TP 3x6
29	000111108	Hexagonal socket screw 4x6
30	767054007	Arm thread guide
31	000081119	Setscrew 4x6
32	767056009	Thread guide
33	767281108	Needle plate
34	102053007	Needle plate set screw
35	767609106	Hook cover plate (unit)
36	767018009	Hook cover plate
37	767019000	Hook cover plate spring
38	820374004	Setscrew 2x2.3
39	767020004	Hook cover plate supporter spring
40	767220006	Sticker
41	767017008	Hook cover plate retainer
42	767021005	Attachment mount
43	681009101	Setscrew
44	767171001	Presser foot lifter
45	846033008	Hinge screw
46	767650010	Thread tension release lever (unit)
47	846220004	Hinge screw
48	761045007	Thread tension release lever spring
49	767233002	Plate
50	000081005	Setscrew 4x8
51	767651103	Thread tension release base plate (unit)
52	767232001	Thread tension release base plate
53	000036500	Thrust washer FT-60
54	767231000	Thread tension release crank
55	846210001	Roller
56	000002105	Snap ring E-3
57	000001609	Snap ring E-5
58	767530002	Wire (unit)
59	767290007	Spring
60	846037002	Presser bar spring

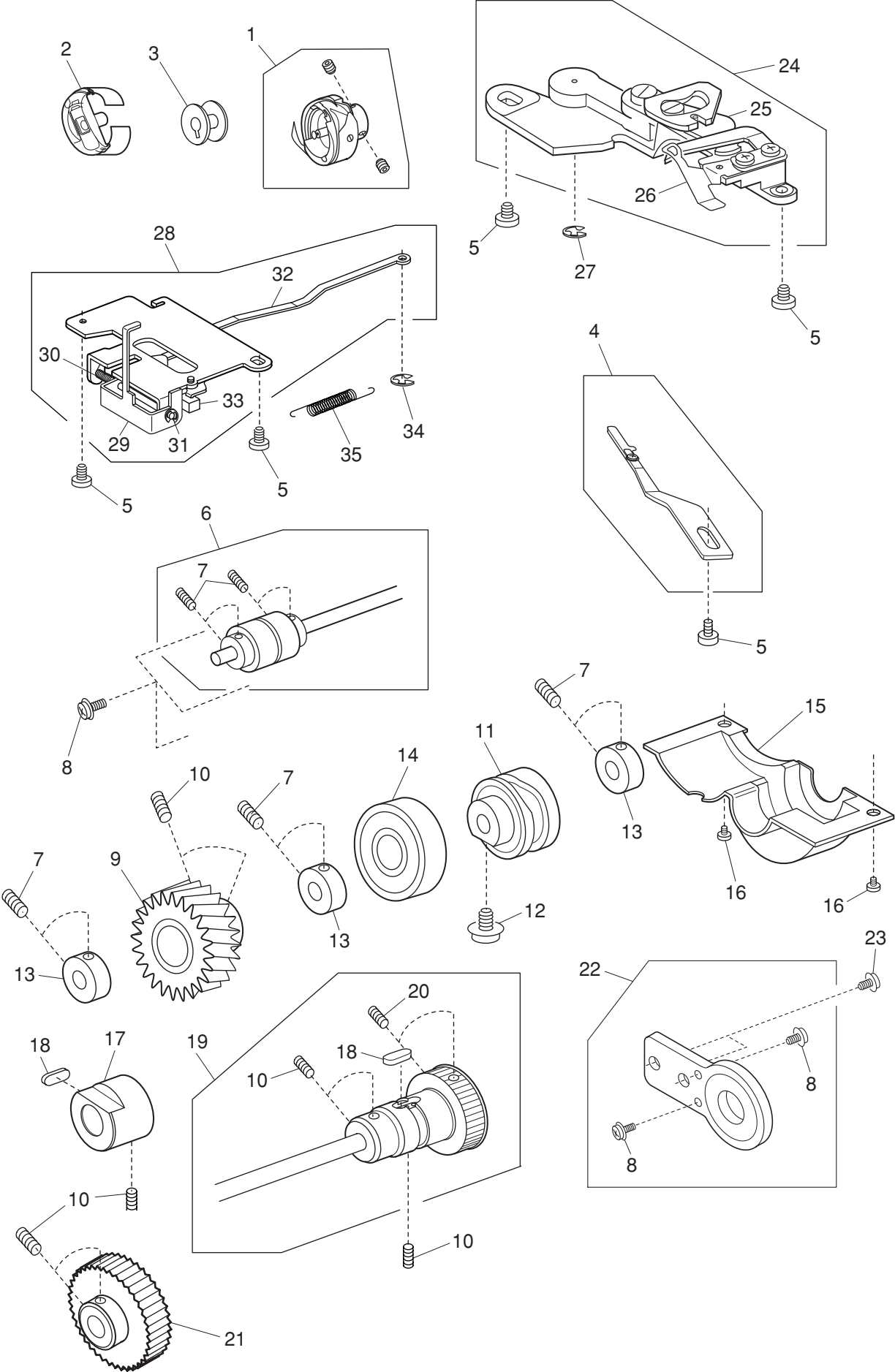
PARTS LIST



PARTS LIST

NO.	Part number	Description
1	767271002	Upper shaft shield plate
2	820102009	Washer
3	000103509	Setscrew 4x10
4	767195012	Belt wheel
5	000111304	Hexagonal socket screw 5x5
6	767139100	Handwheel
7	556047007	Washer
8	618070004	Setscrew
9	767618005	Idler (unit)
10	000002806	Snap ring E-6
11	000115504	Setscrew TP 5x10
12	767697008	Upper shaft (whole unit)
13	767617004	Upper shaft (unit)
14	767304005	Ball bearing
15	767227003	Spacer
16	767077006	Ring
17	000115205	Setscrew TP 4x6
18	767178008	Ball bearing
19	000032702	Snap ring crescent
20	767070009	Upper shaft timing gear
21	000110107	Hexagonal socket screw 5x5 (WP)
22	767071000	Timing belt
23	767682000	Take up lever (whole unit)
24	767503006	Take up lever (unit)
25	761091008	Take up lever pin
26	767529008	Needle bar crank (unit)
27	763033400	Oil wick
28	650040005	Felt
29	650041006	Felt holder
30	000111201	Hexagonal socket screw 4x4
31	767634007	Needle threader positioning base (unit)
32	767043003	Needle threader positioning base
33	767624901	Feed adjusting base (unit)
34	767118A01	Indicator drum
35	767124A01	Reverse stitch lever
36	767115100	Stitch length dial
37	000081005	Setscrew 4x8
38	000001609	Snap ring E-5
39	767136004	Timing belt
40	767632005	Needle threader (unit)
41	767034001	Needle threader plate
42	767032009	Needle threader shaft
43	000004808	Spring pin 2x6
44	767033000	Needle threader spring
45	000125208	Guide pin E-2x10-CH
46	000125404	Guide pin G-2x14-CH
47	000002105	Snap ring E-3
48	767633006	Needle threader guard plate (unit)
49	767553001	Thread guide (unit)
50	767362001	Thread guide plate
51	767363002	Tension arm
52	000101415	Setscrew 4x6
53	000081016	Setscrew 4x8
54	000006604	Washer A-4

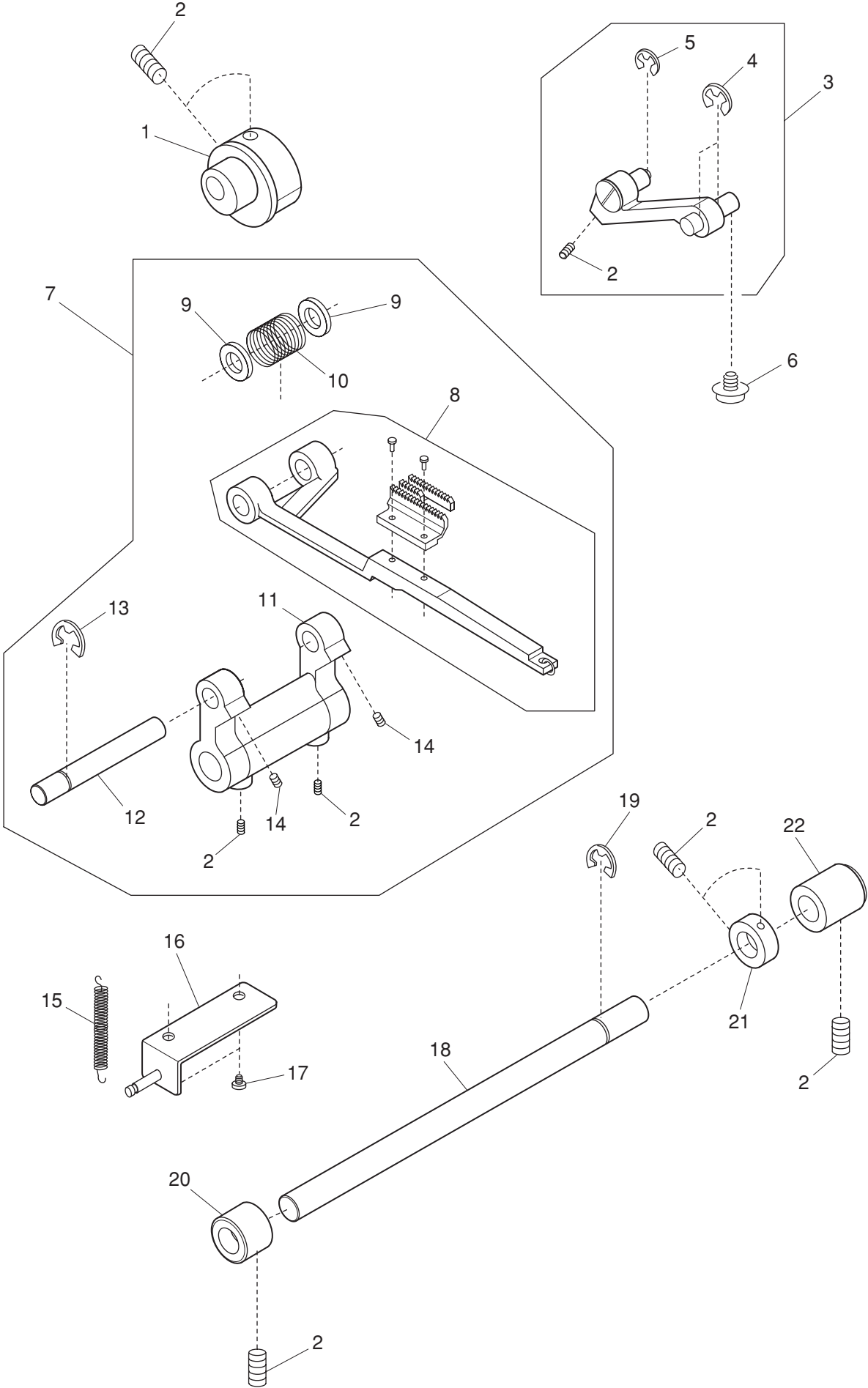
PARTS LIST



PARTS LIST

NO.	Part number	Description
1	767587004	Hook race (unit) V1
	767594004	Hook race (unit) V2
2	767588005	Bobbin case (unit) V1
	767595005	Bobbin case (unit) V2
3	770591001	Bobbin V1
	767860107	Bobbin V2
4	767518004	Hook race stopper (unit)
5	000081005	Setscrew 4x8
6	767698102	Hook race shaft (unit)
7	000111201	Hexagonal socket screw 4x4
8	000115205	Setscrew TP 4x6
9	767081003	Hook race gear
10	000111304	Hexagonal socket screw 5x5
11	767241003	Thread cutter cam
12	000114606	Setscrew TP 3x14
13	820166001	Lower shaft ring
14	767182005	Ball bearing
15	767084006	Gear cover
16	000101404	Setscrew 4x6
17	767085007	Lower shaft bushing
18	767067003	Felt
19	767644000	Lower shaft (unit)
20	000110107	Hexagonal socket screw 5x5 (WP)
21	767221007	Lower shaft gear
22	767613000	Lower shaft supporter (unit)
23	000114802	Setscrew TP 4x12
24	767657006	Auto-thread cutter (unit)
25	767264002	Thread cutter blade
26	767266004	Thread guide plate
27	000001609	Snap ring E-5
28	767658007	Thread drawing lever (unit)
29	767268006	Thread drawing lever
30	767280004	Spring
31	000002105	Snap ring E-3
32	767251006	Link
33	767259004	Cushion 3
34	000002507	Snap ring E-4
35	767276007	Spring

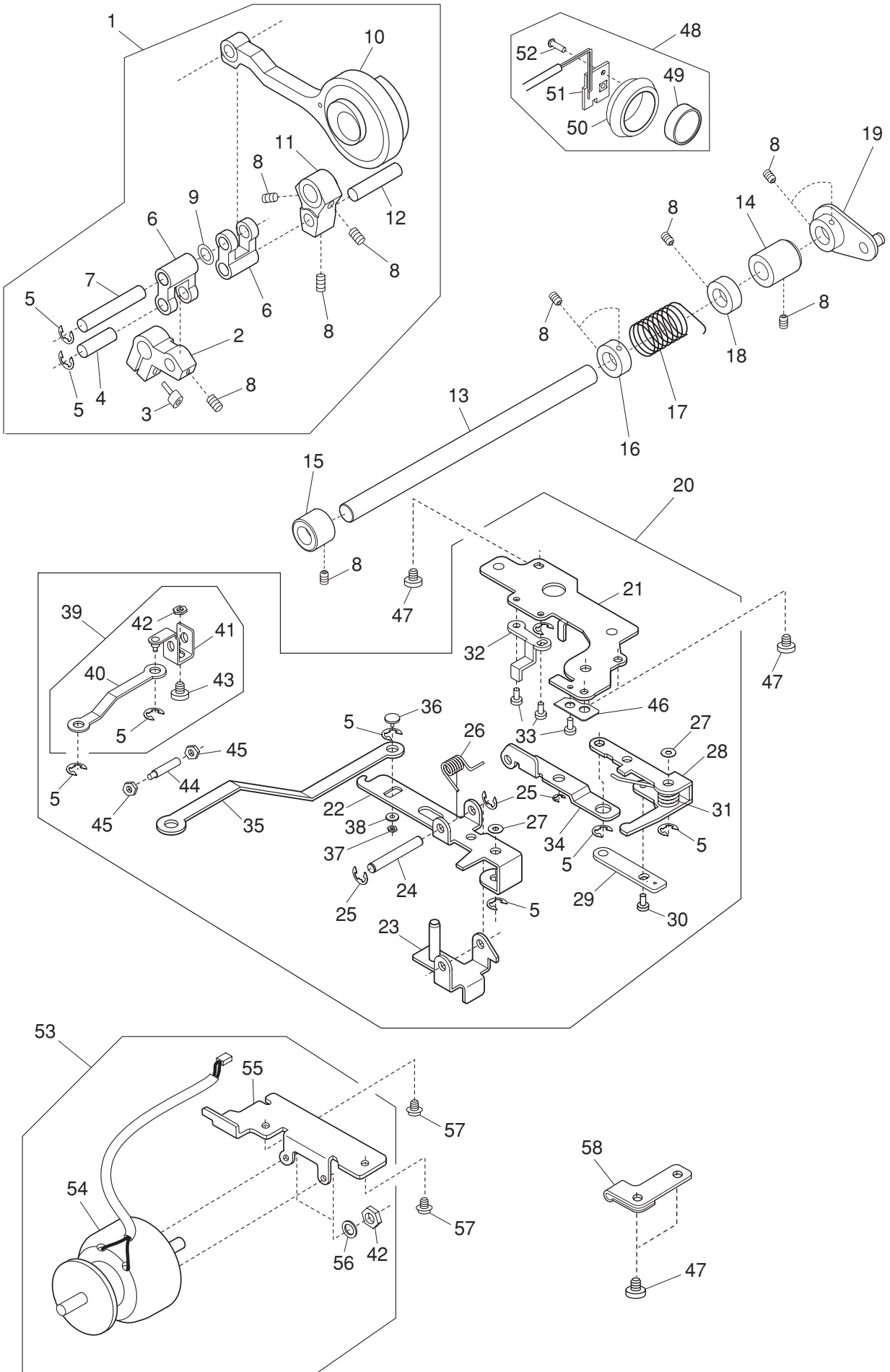
PARTS LIST



PARTS LIST

NO.	Part number	Description
1	767089001	Feed lifting cam
2	000111304	Hexagonal socket screw 5x5
3	767620000	Feed link (unit)
4	000002909	Snap ring E-7
5	000002507	Snap ring E-4
6	000115607	Setscrew TP 4x8
7	767619109	Feed base (unit) (1)
8	767621104	Feed base (unit) (2)
9	822063003	Felt (2)
10	767212005	Felt holder spring
11	767094009	Feed rock arm
12	767095000	Feed rock arm pin
13	000001609	Snap ring E-5
14	000111201	Hexagonal socket screw 4x4
15	767120005	Feed base spring
16	767121006	Spring attach plate
17	000101404	Setscrew 4x6
18	767096001	Feed rock shaft
19	000030205	Snap ring E-8
20	767097002	Bushing
21	639095000	Ring
22	767099004	Bushing

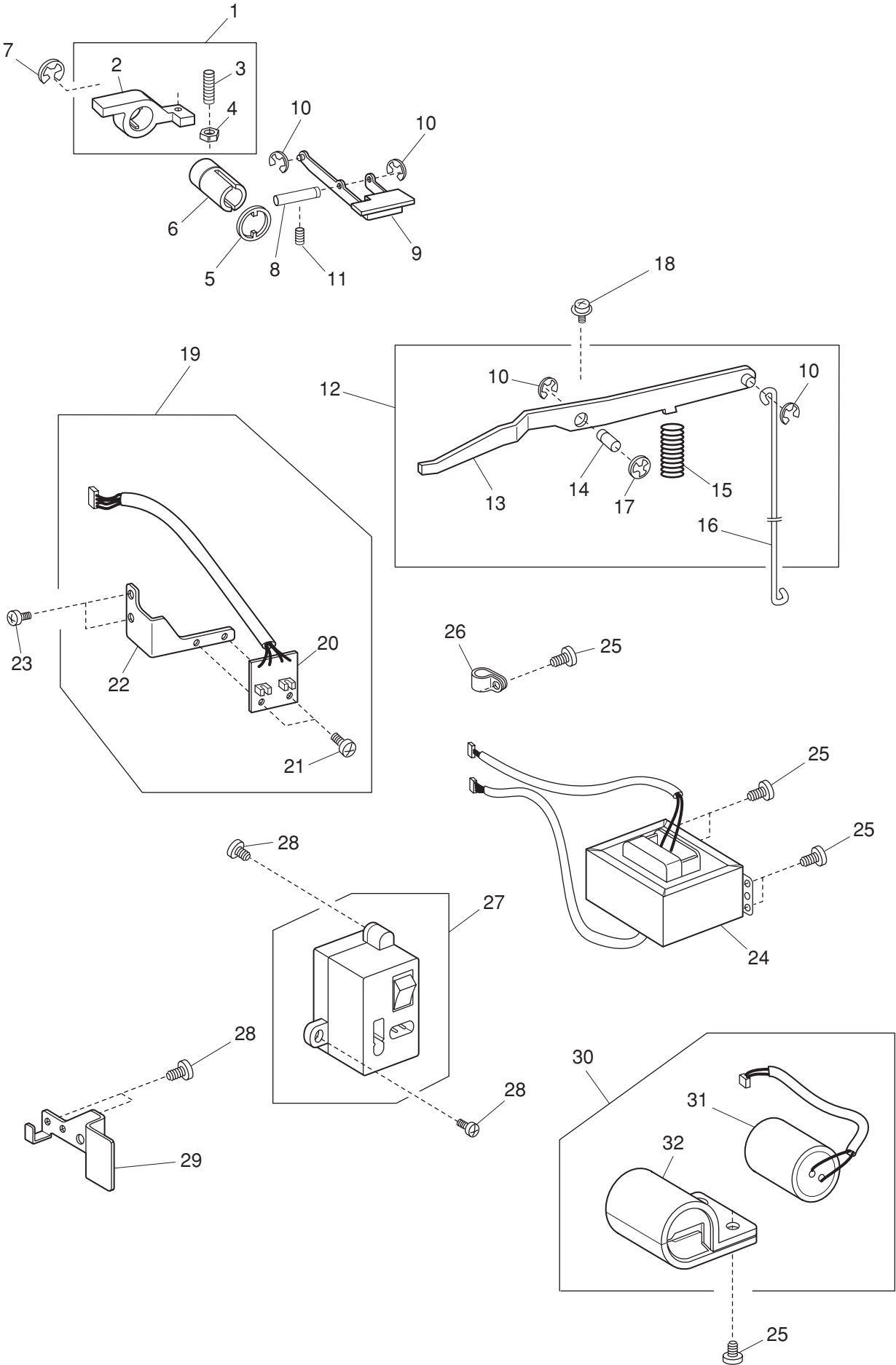
PARTS LIST



PARTS LIST

NO.	Part number	Description
1	767663005	Feed regulator (unit)
2	767100009	Feed adjusting arm
3	000218106	Bolt 5x16
4	767101000	Pin
5	000001609	Snap ring E-5
6	767102001	Feed link
7	767106005	Pin
8	000111304	Hexagonal socket screw 5x5
9	767157001	Washer
10	767664006	Feed cam (unit)
11	767107006	Feed adjusting arm
12	767159003	Pin
13	767108007	Feed adjusting shaft
14	767099004	Bushing (rear)
15	767097002	Bushing (front)
16	639095000	Lower shaft ring
17	767111003	Feed regulator spring
18	639095103	Lower shaft ring
19	767112004	Feed adjusting arm
20	767654003	Thread cutter driving base (unit)
21	767242004	Driving arm base plate
22	767244006	Driving arm
23	767243005	Link
24	767253008	Driving arm pin
25	000002507	Snap ring E-4
26	767274005	Cam spring
27	000036108	Thrust washer FT-70
28	767245007	Driving lever
29	767252007	Thread drawing arm
30	000101404	Setscrew 4x6
31	767275006	Spring
32	767282006	Guard plate
33	000103004	Setscrew 3.5x6
34	767246008	Thread tension release arm
35	767247009	Thread cutter link
36	767248000	Hinge screw (3)
37	000061102	Nut 4-1-7
38	000070506	Washer 4
39	767656005	Link (unit)
40	767249001	Link
41	767250005	Coupling
42	000061319	Nut 5-1-8
43	000102003	Setscrew 5x10
44	767238007	Wire joint
45	000061412	Nut 5-3-8
46	767289003	Limiter plate
47	000081005	Setscrew 4x8
48	767661612	Thread cutter button (unit)
49	767283A01	Button (2)
50	767284008	Button holder
51	767511107	Printed circuit board UD (unit)
52	000161701	Setscrew 2.3x5 (B)
53	767655200	Solenoid (unit)
54	767534109	Push-pull solenoid (unit)
55	767254009	Set plate
56	000070300	Washer 5
57	000115504	Setscrew TP 5x10
58	767235004	Plate (2)

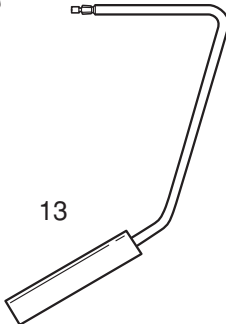
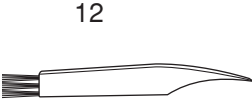
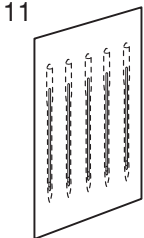
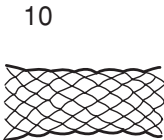
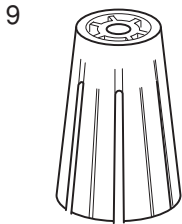
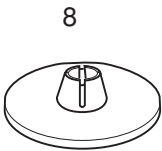
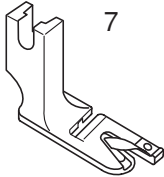
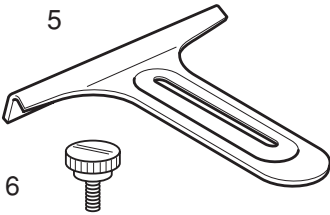
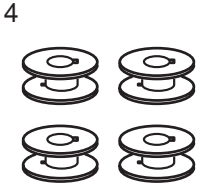
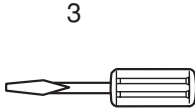
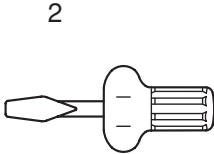
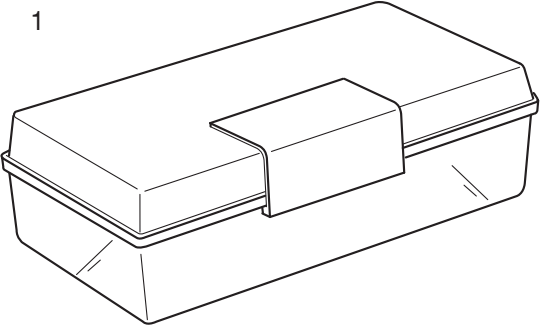
PARTS LIST



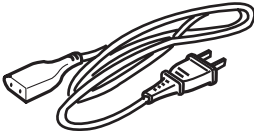
PARTS LIST

NO.	Part number	Description
1	767642008	Knee lifter lever (1) (unit)
2	767057000	Knee lifter lever (1)
3	000196107	Hexagonal socket screw 5x20 (ball point)
4	000061412	Nut 5-3-8
5	767352008	Stopper
6	767058001	Knee lifter shaft
7	000030009	Snap ring E-10
8	767059002	Shaft
9	767060006	Knee lifter lever (2)
10	000001609	Snap ring E-5
11	000111201	Hexagonal socket screw 4x4
12	767616003	Knee lifter lever (3) (unit)
13	846171009	Knee lifter lever (3)
14	767062008	Knee lifter lever shaft
15	846173001	Knee lifter lever spring
16	767063009	Presser foot lifter rod
17	000013800	Snap ring CS-6
18	000115700	Setscrew TP 4x10
19	767631004	Upper shaft sensor (unit)
20	843505409	Printed circuit board P (unit)
21	000101105	Setscrew 3x4
22	767131009	Sensor fixing plate
23	000066705	Setscrew 3x8
24	767533005	Transformer (unit) (U.S.A.) (Canada)
	767537009	Transformer (unit) (Continental Europe) (UK) (Australia)
25	000081005	Setscrew 4x8
26	000188601	Nylon clip
27	767660105	Machine socket (unit) (U.S.A.) (Canada)
	767629102	Machine socket (unit) (Continental Europe) (UK) (Australia)
28	000103509	Setscrew 4x10
29	767237006	Cord binder (1)
30	767659008	Capacitor (unit)
31	767535007	Capacitor
32	767279000	Capacitor case

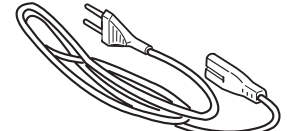
PARTS LIST



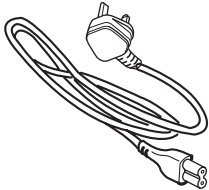
15 (U.S.A.) (Canada)



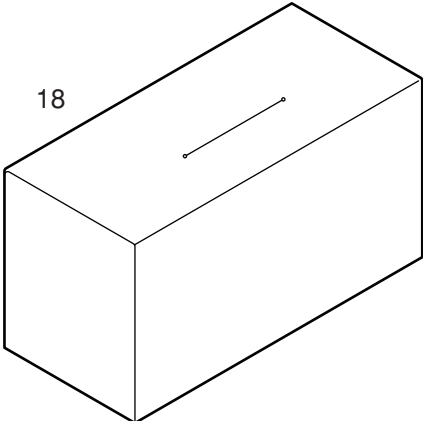
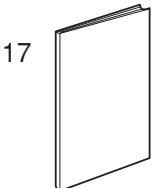
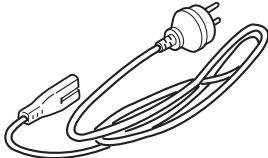
15 (Continental Europe)



15 (UK)



15 (Australia)



PARTS LIST

NO.	Part number	Description
1	366401400	Accessory box
2	820832005	Large screwdriver
3	647803004	Small screwdriver
4	770591001	Bobbin V1
	767860107	Bobbin V2
5	200100801	Cloth guide
6	825252000	Thumbscrew
7	761172004	Hemmer foot
8	822020503	Spool cap
9	784223105	Spool holder
10	624806006	Net
11	767859000	Needle set
12	802424004	Lint brush
13	846417011	Knee lifter (unit)
14	770816108	Oil
15	653524007	Power supply cord (U.S.A.) (Canada)
	830335004	Power supply cord (Continental Europe)
	830377008	Power supply cord (UK)
	830314018	Power supply cord (Australia)
16	043170201	Foot control
17	767800730	Instruction book
18	767805104	Cover
	767881067	Carton (UK)
	767889504	Styrofoam set (UK)