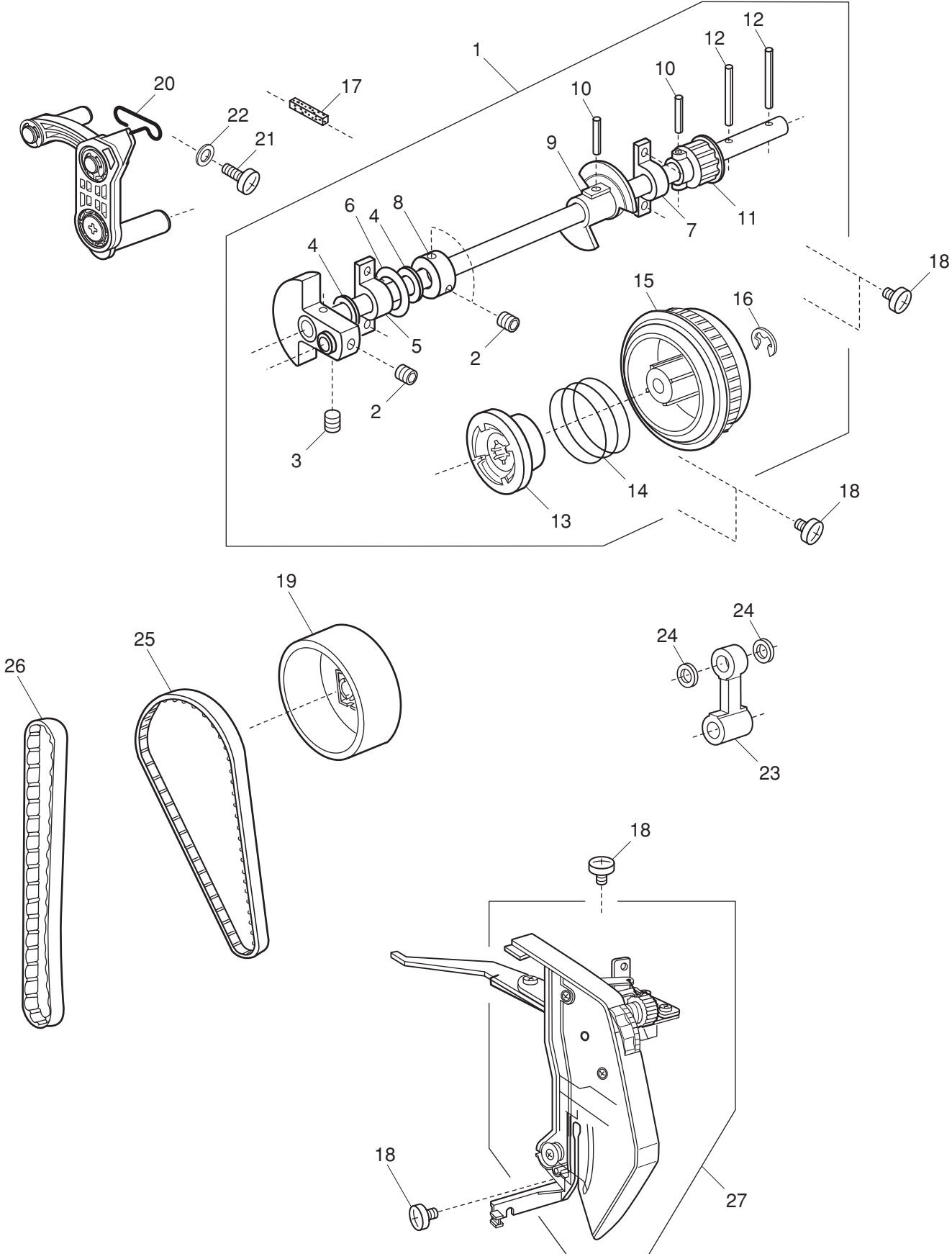


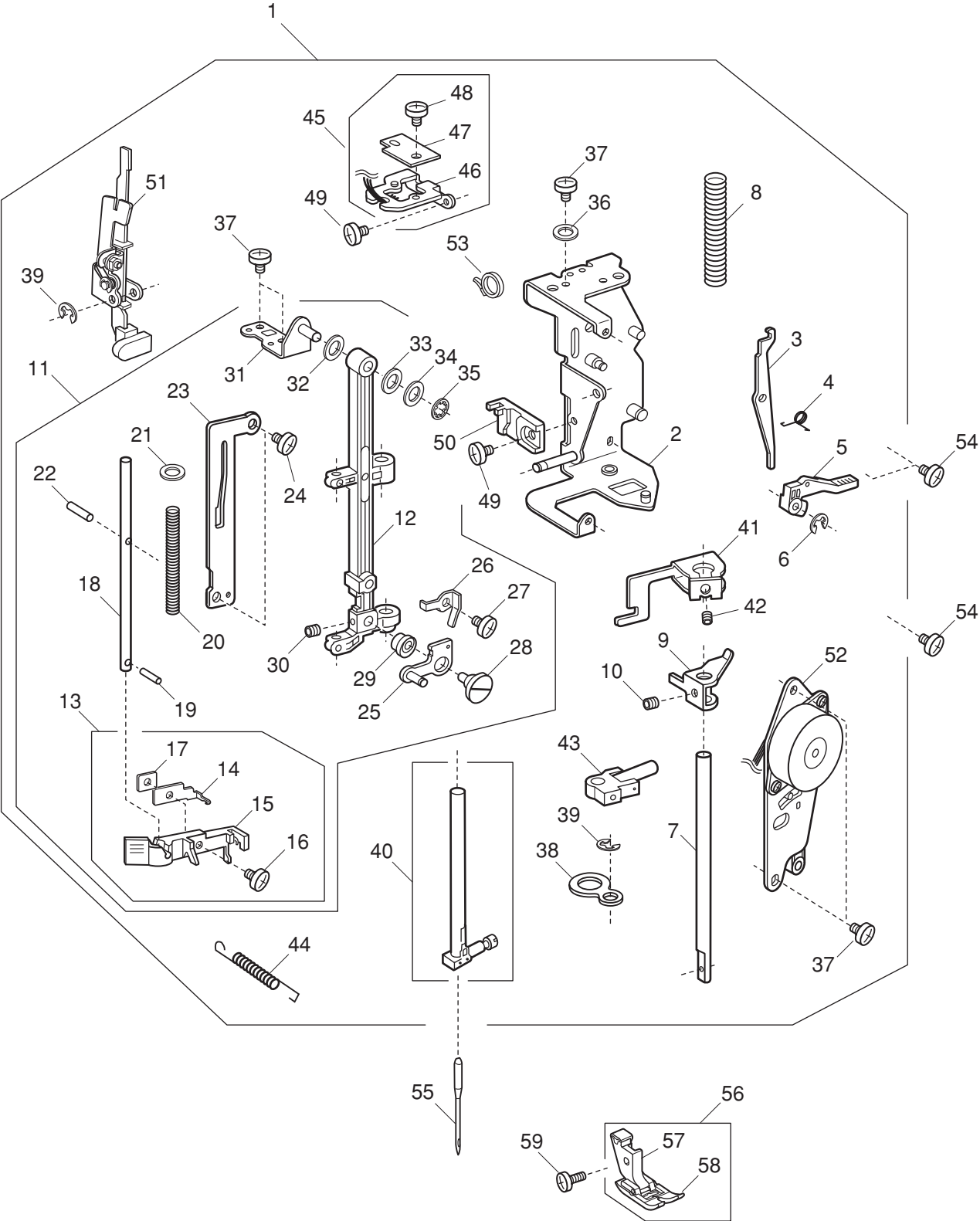
# PARTS LIST



# PARTS LIST

Key No.	Parts No.	Description
1	808601005	Upper shaft (unit)
2	000111201	Hexagonal socket screw 4x4
3	000112800	Hexagonal socket screw 4x6
4	000036201	Washer FT80
5	508120006	Shaft fixing metal
6	823110009	Felt
7	508054101	Shaft fixing metal
8	820166001	Lower shaft ring
9	808003001	Upper shaft shielding plate
10	000004200	Spring pin 3x18
11	508021006	Upper shaft gear
12	000024206	Spring pin 3x30
13	502064003	Clutch ring
14	661024007	Clutch spring
15	508055009	Belt wheel
16	000002806	Snap ring E-6
17	650040005	Felt
18	000081005	Setscrew 4x8
19	508056000	Handwheel
20	508601109	Thread take-up lever (unit)
21	000103509	Setscrew 4x10
22	000072302	Washer 4
23	808005003	Needle bar crank rod
24	000036005	Washer FT60
25	808021005	Timing belt
26	808037004	Syncro belt
27	808523105	Thread tension (unit)

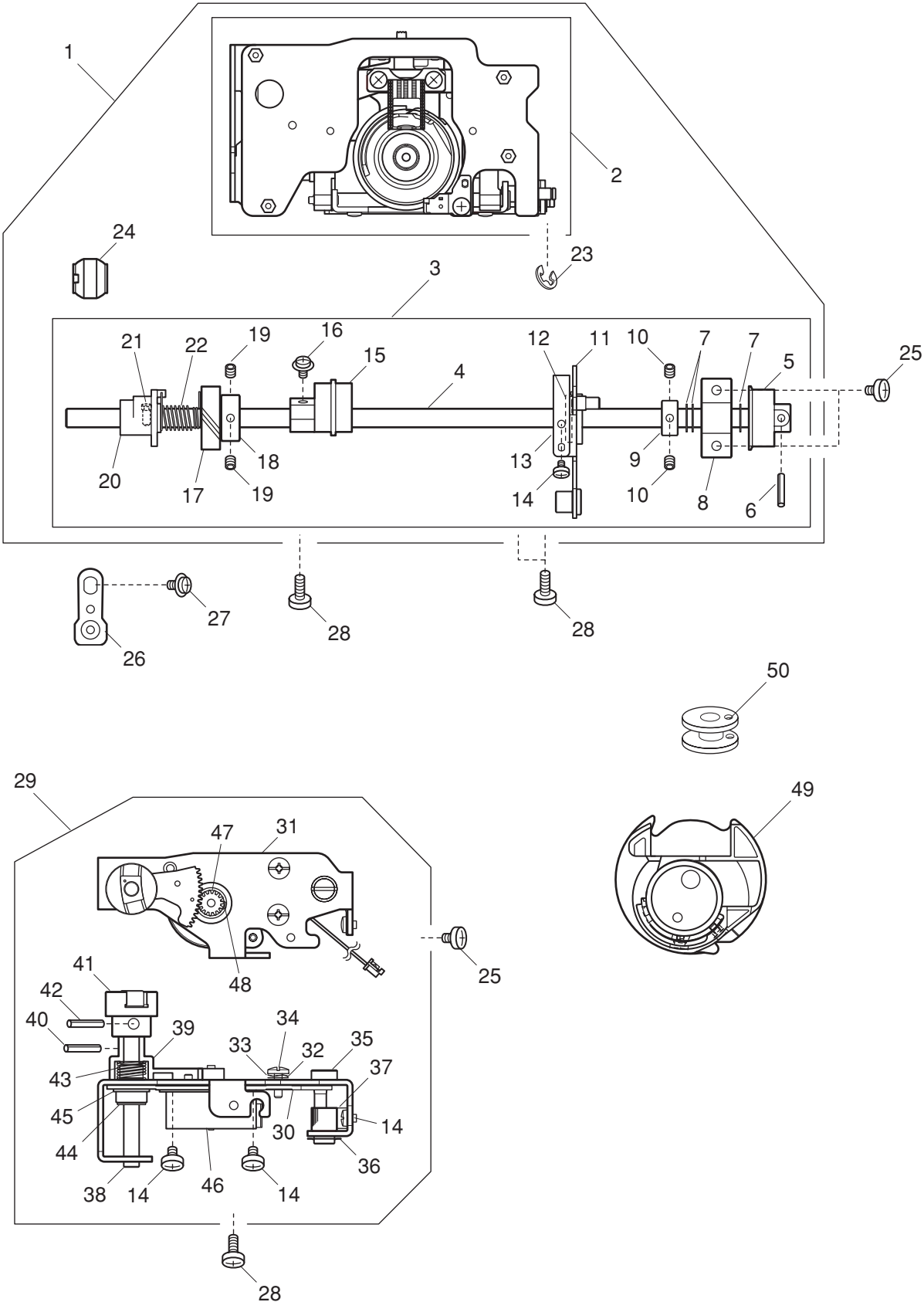
# PARTS LIST



# PARTS LIST

Key No.	Parts No.	Description
1	808628008	Presser bar base plate (unit)
2	808006004	Presser bar base plate
3	808007005	Thread tension release lever
4	503041007	Thread tension release spring
5	502024001	Presser foot lifter
6	000001609	Snap ring E-5
7	508002104	Presser bar
8	508038006	Presser bar spring
9	508039007	Presser bar supporter
10	000111500	Hexagonal socket screw 4x8
11	808624004	Needle bar supporter (unit)
12	808008109	Needle bar supporter
13	639643102	Threader plate (unit)
14	755065004	Threader plate
15	639229108	Threader guard plate
16	755096004	Setscrew
17	755095003	Nut
18	840036003	Threader shaft
19	000003508	Spring pin 2x8
20	827091005	Threader shaft spring
21	734107004	Washer
22	000122906	Guide pin E-2x14-CH
23	653036029	Threader guide plate
24	000078319	Setscrew 3x6
25	808015006	Zigzag width rod
26	827088009	Zigzag width rod spring
27	820373003	Setscrew 2x3
28	678084007	Eccentric pin
29	808074003	Washer
30	000111902	Hexagonal socket screw 3x4
31	808009007	Supporter adjusting plate
32	000036500	Washer FT60
33	673022002	Spring washer
34	000070609	Washer 6
35	000013903	Snap ring CS-5
36	000072003	Washer 5
37	000101404	Setscrew 4x6
38	808010001	Supporter guide plate
39	000002105	Snap ring E-3
40	508607105	Needle bar (unit)
41	808011002	Threader position set plate
42	000177205	Hexagonal socket screw 4x4
43	508509003	Needle bar connecting stud (unit)
44	756063005	Needle bar supporter spring
45	808606000	Buttonhole sensor (unit)
46	845002005	Sensor set plate
47	843502602	Printed circuit board E1 (unit)
48	000101105	Setscrew 3x4
49	000103808	Setscrew 3x5
50	830057021	Buttonhole lever guide
51	843625004	Buttonhole lever (unit)
52	808605009	Zigzag width motor (unit)
53	000053008	Cord binder
54	000081005	Setscrew 4x8
55	102408089	Needle HA1-14
56	508505009	Presser foot (unit)
57	508801008	Presser foot holder
58	508502006	Zigzag foot
59	660106001	Setscrew

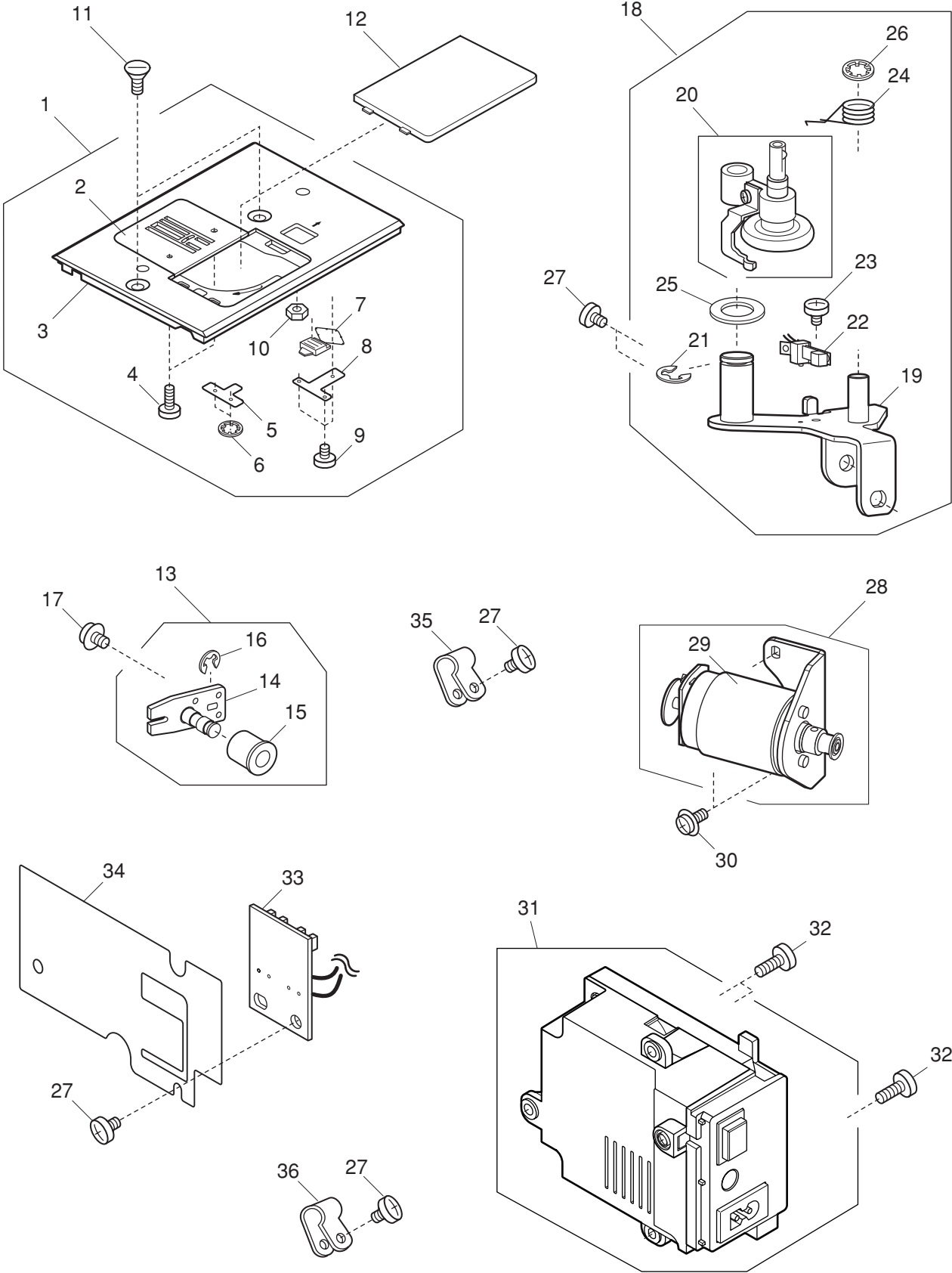
# PARTS LIST



# PARTS LIST

Key No.	Parts No.	Description
1	808635019	Hook race (whole unit)
2	808625005	Hook race (unit)
3	808634018	Lower shaft (unit)
4	808027001	Lower shaft
5	508021006	Upper shaft gear
6	000004200	Spring pin 3x18
7	000038502	Washer
8	508054008	Shaft fixing metal
9	820166001	Lower shaft ring
10	000111201	Hexagonal socket screw 4x4
11	808028002	Feed fork
12	751150005	Actuator plate
13	808026000	Feed fork spring
14	000101105	Setscrew 3x4
15	808029003	Feed cam
16	000115009	Setscrew TP 3x8
17	808110002	Lower gear
18	508020005	Ring
19	000111108	Hexagonal socket screw 4x6
20	753183025	Feed lifting cam
21	820161006	Feed lifting pin
22	686035008	Feed lifting cam spring
23	000002507	Snap ring E-4
24	732034003	Lower shaft bushing
25	000081005	Setscrew 4x8
26	809042005	Lower shaft bushing set plate
27	000115607	Setscrew TP 4x8
28	000101703	Setscrew 4x12
29	808613000	Feed motor (unit)
30	808030007	Feed motor set plate
31	808031008	Feed regulator shaft supporter
32	000071013	Washer 4
33	000116103	Spring washer 4
34	823038002	Setscrew
35	808033000	Feed regulator shaft
36	000014409	Snap ring CS-8
37	808096001	Feed regulator shaft spring
38	808034001	Feed regulator shaft
39	808035002	Feed regulator
40	000004004	Spring pin 2.5x10
41	625508204	Feed regulator (unit)
42	000004107	Spring pin 3x14
43	808094009	Feed regulator spring
44	000001609	Snap ring E-5
45	000013501	Snap ring CS-12
46	808509105	Stepping motor (unit)
47	808013004	Gear
48	000110406	Hexagonal socket screw 3x4 (WP)
49	508638002	Bobbin holder (unit)
50	102261000	Bobbin

# PARTS LIST

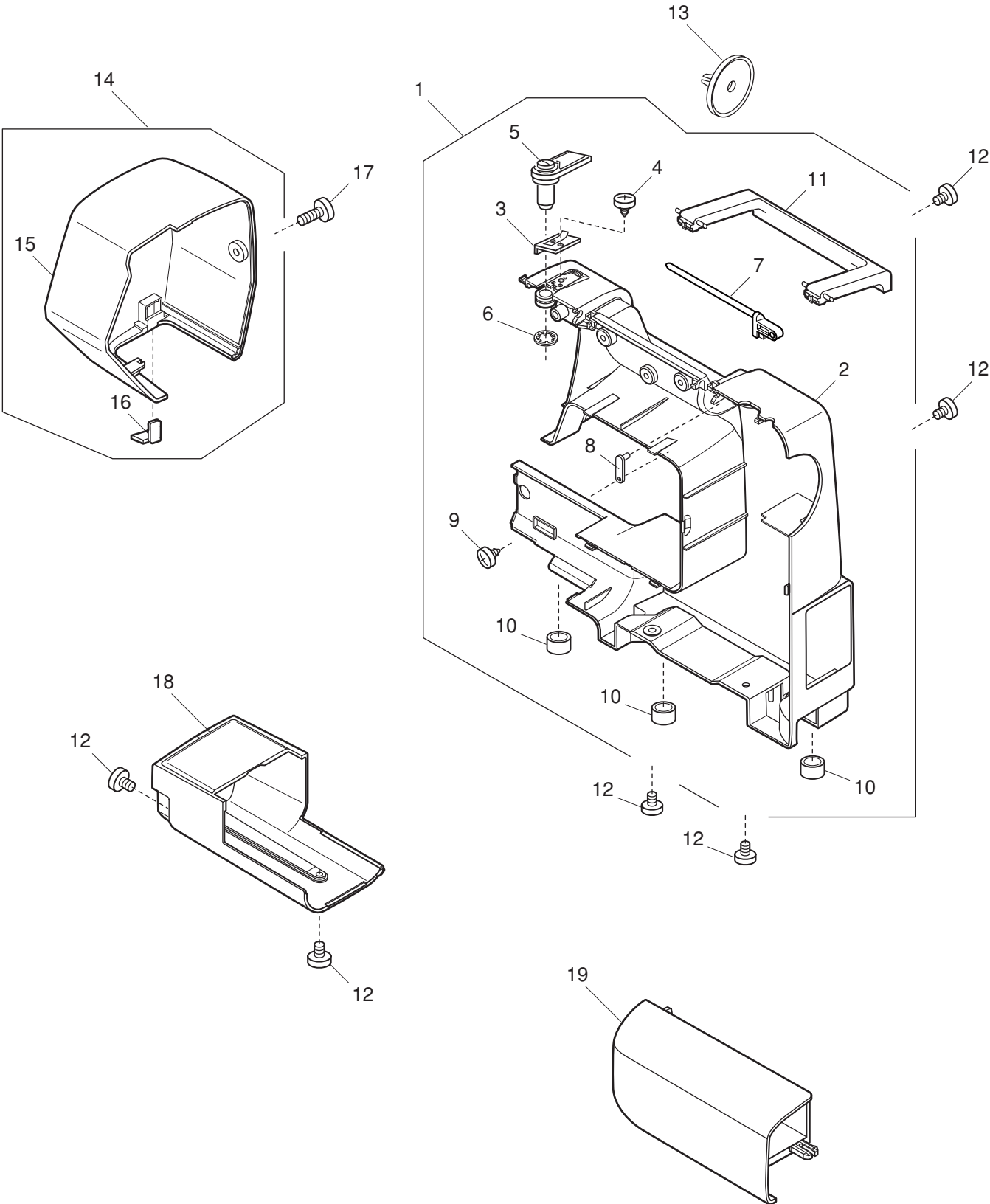


# PARTS LIST

Key No.	Parts No.	Description
1	808626006	Needle plate (unit)
2	808067003	Needle plate
3	808068004	Support needle plate
4	000163703	Setscrew 2x3.5
5	502015009	Spring
6	000015503	Snap ring SC-2.4
7	502016000	Hook cover plate release button
8	502202005	Supporter plate
9	000130206	Setscrew 1.7x2.5 (B)
10	508116009	Nut
11	820390109	Setscrew
12	846271103	Hook cover plate
13	808614001	Idler (unit)
14	808038005	Idler set plate
15	625217100	Idler
16	000002806	Snap ring E-6
17	000115607	Setscrew TP 4x8
18	808627100	Bobbin winder (unit)
19	808039109	Bobbin winder set plate
20	508629000	Bobbin winder arm (unit)
21	000001609	Snap ring E-5
22	856512100	Switch (unit)
23	000081706	Setscrew 2.5x5
24	808040000	Spring
25	000127808	Washer
26	000013903	Snap ring CS-5
27	000081005	Setscrew 4x8
28	808617004	DC motor (unit)
29	808502005	DC motor (unit)
30	000115700	Setscrew TP 4x10
31	808639507	Switching regulator (unit)
32	000103509	Setscrew 4x10
33	808504007	Printed circuit board P (unit)
34	808093101	Cord guide
35	000188209	Nylon clip ACC-1.5
36	000188405	Nylon clip ACC-2



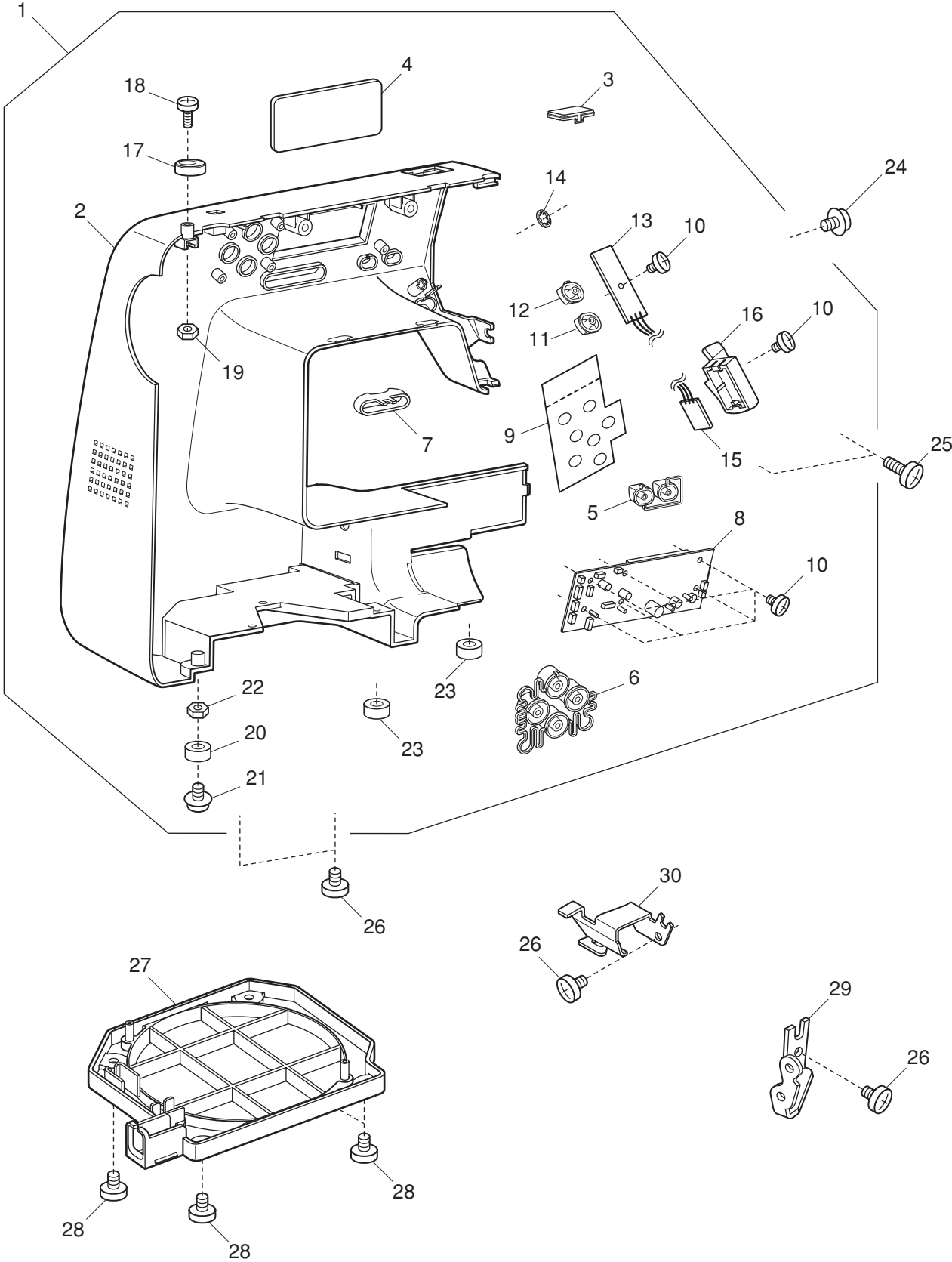
# PARTS LIST



# PARTS LIST

Key No.	Parts No.	Description
1	808636043	Rear cover (unit)
2	808084A02	Rear cover
3	827503108	Top cover thread guide (unit)
4	000162001	Setscrew 2.6x5
5	650503403	Thread guide (unit)
6	000014409	Snap ring CS-8
7	502007008	Spool pin
8	502008009	Spool pin support plate
9	000120203	Setscrew 3x8 (B)
10	739064003	Bed rubber cushion
11	502009000	Carrying handle
12	000081005	Setscrew 4x8
13	822020503	Spool holder
14	808638148	Face plate (unit)
15	808091A01	Face plate
16	840602006	Thread cutter (unit)
17	000104108	Setscrew 4x20
18	808061007	Free arm cover
19	808092007	Extension table

# PARTS LIST

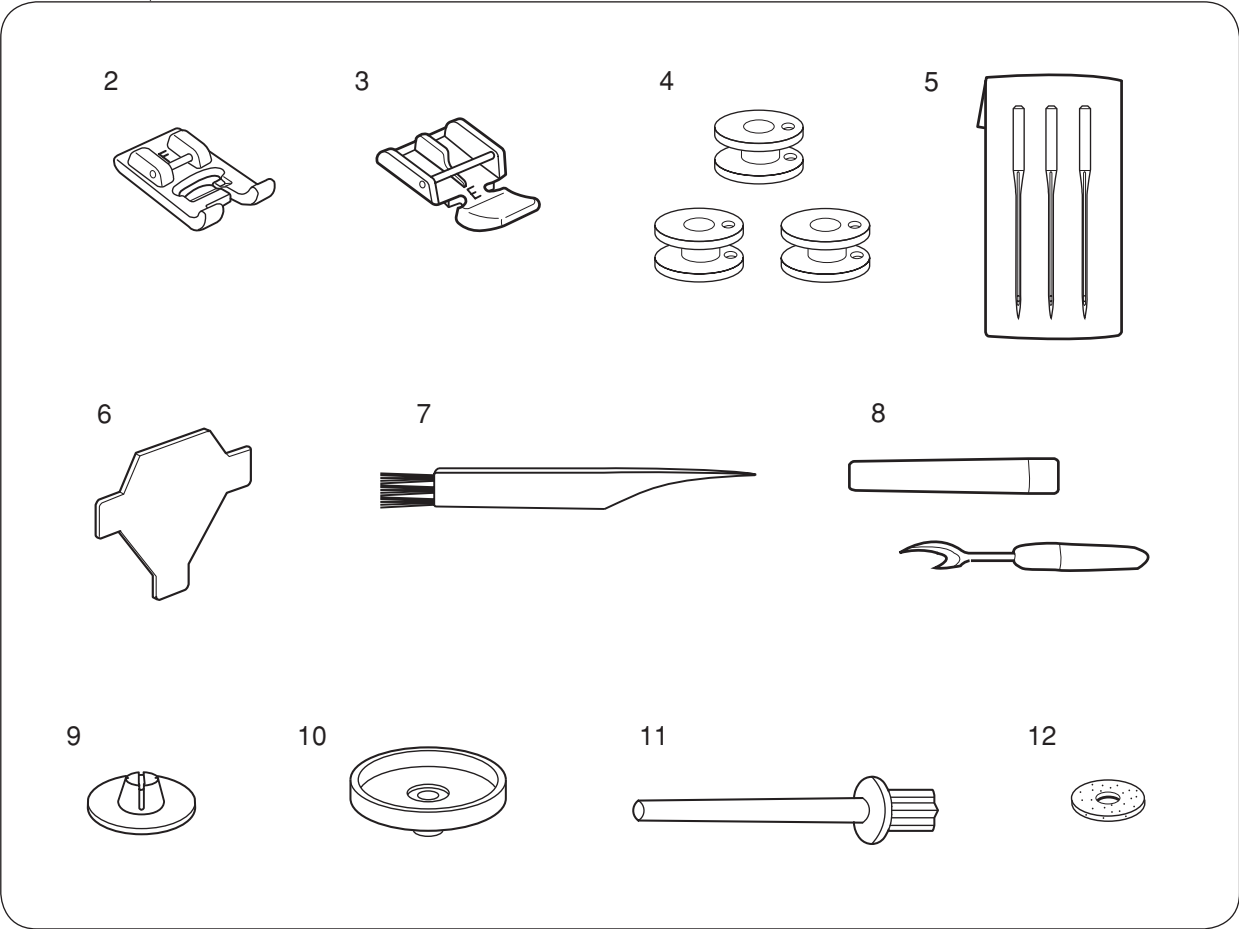


# PARTS LIST

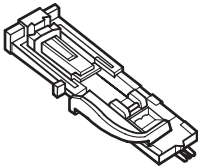
Key No.	Parts No.	Description
1	808637321	Front cover (unit)
2	808085A05	Front cover
3	808103002	Front cover lid
4	808086802	Panel
5	808087205	Button 1
6	808088206	Button 2
7	808089001	Slide volume
8	808505237	Printed circuit board A (unit)
9	808121006	Flame retardant insulating paper
10	000120203	Setscrew 3x8 (B)
11	808090304	Start/stop button
12	808102207	Button 4
13	808507000	Printed circuit board F (unit)
14	000014306	Snap ring CS-3
15	808506009	Printed circuit board L (unit)
16	808057000	Lamp holder
17	735016307	Bobbin winder stopper
18	000101828	Setscrew 4x16
19	000061102	Nut 4-1-7
20	639005003	Rubber foot
21	000201405	Setscrew TP 4x16
22	000160102	Adjustable lock nut 4
23	739064003	Bed rubber cushion
24	000115205	Setscrew TP 4x6
25	000160401	Setscrew 4x16 (B)
26	000081005	Setscrew 4x8
27	808059301	Bed cover
28	000149312	Setscrew 3x8
29	639080002	Front cover set plate
30	808016007	Arm thread guide

# PARTS LIST

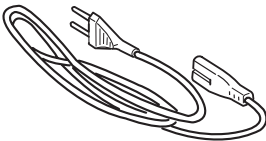
1



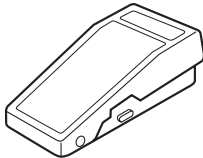
13



14



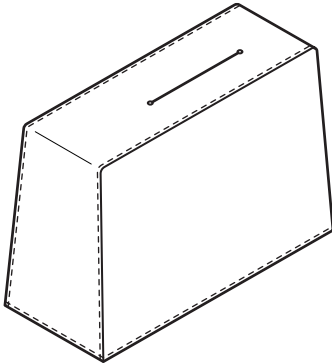
15



16



17



# PARTS LIST

---

Key No.	Parts No.	Description
1	808870306	Attachment (unit)
2	822804118	Satin foot
3	829801002	Zipper foot
4	102261000	Bobbin
5	639804000	Needle set
6	653802002	Screw key
7	802424004	Lint brush
8	647808009	Seam ripper (Buttonhole opener)
9	822019509	Spool holder
10	829803004	Spool stand
11	625031500	Spool pin
12	102403109	Felt
13	753801004	BH foot
14	830335004	Power supply cord
15	C-1036	Foot control
16	808850296	Instruction book
17	741811000	Cover