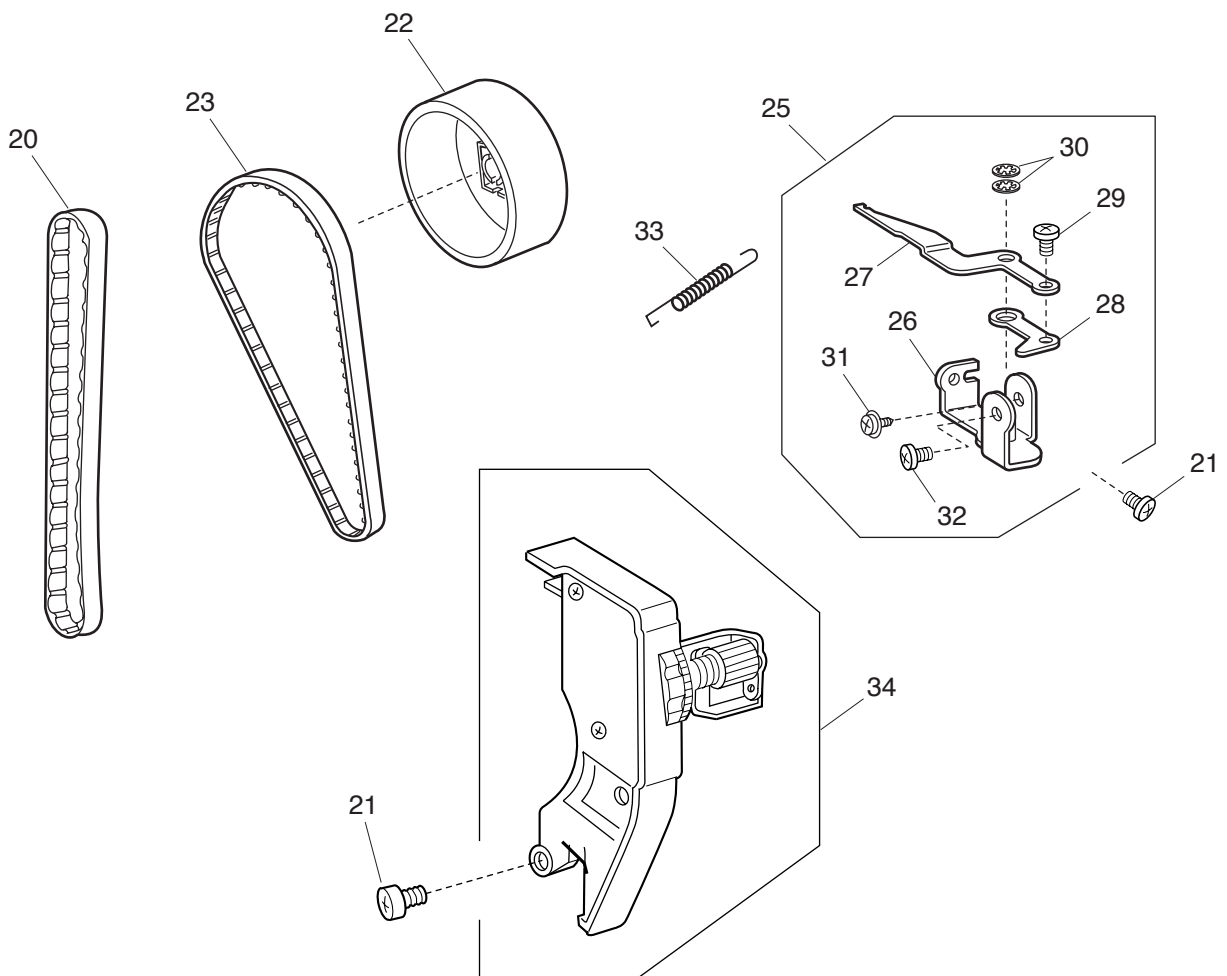
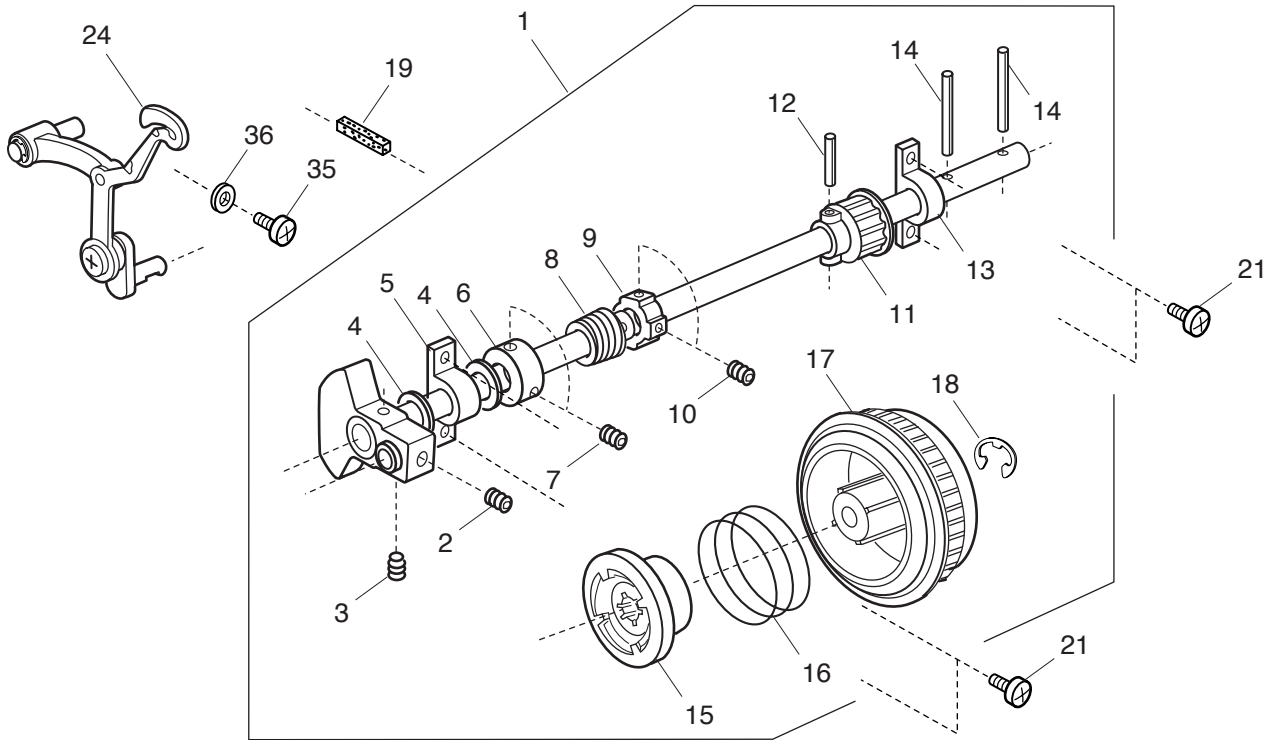


PARTS LIST

MODEL : My Style100

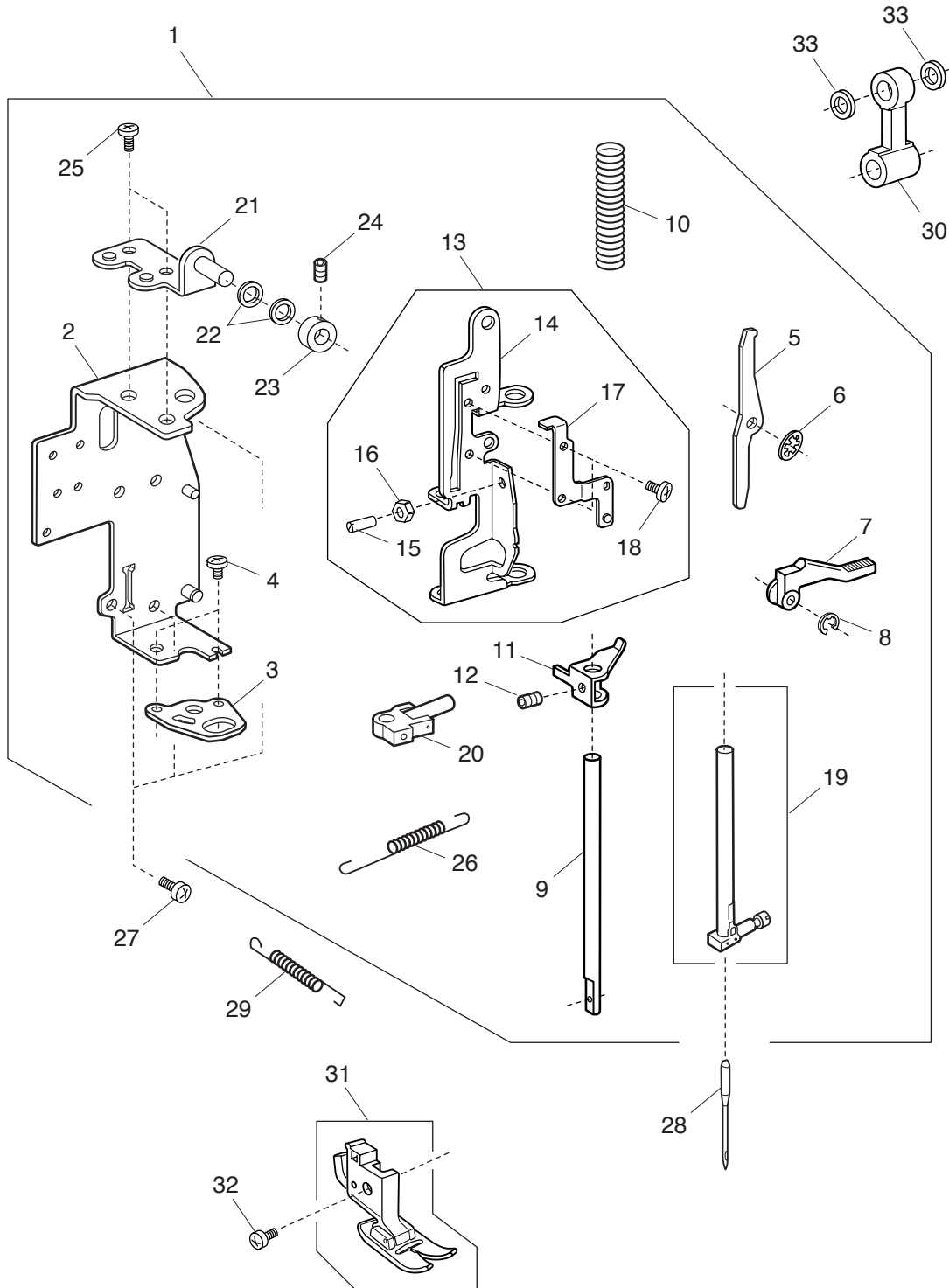
PARTS LIST



PARTS LIST

KEY NO.	PARTS NO.	DESCRIPTION
1	508603008	Upper shaft (unit)
2	000111201	Hexagonal socket screw 4x4
3	000112800	Hexagonal socket screw 4x6
4	000036201	Washer FT80
5	508054008	Shaft fixing metal
6	820166001	Lower shaft ring
7	000111201	Hexagonal socket screw 4x4
8	508019001	Worm
9	508020005	Ring
10	000111108	Hexagonal socket screw 4x6
11	508021006	Upper shaft gear
12	000004200	Spring pin 3x18
13	508054101	Shaft fixing metal
14	000024206	Spring pin 3x30
15	502064003	Clutch ring
16	661024007	Clutch spring
17	508055009	Belt wheel
18	000002806	Snap ring E-6
19	731312005	Felt
20	508022007	Syncro belt
21	000081005	Setscrew 4x8
22	508056000	Handwheel
23	753234011	Timing belt
24	508634008	Thread take-up lever (unit)
25	508617005	Thread tension set plate (unit)
26	508051005	Thread tension set plate
27	508052006	Thread tension release arm
28	639025009	Thread tension release adjusting arm
29	000103808	Setscrew 3x5
30	000013903	Snap ling SC-5
31	000115205	Setscrew TP 4x6
32	810220003	Setscrew
33	639026000	Thread tension release lever spring
34	508506000	Thread tension (unit)
35	000103509	Setscrew 4x10
36	000072302	Washer 4

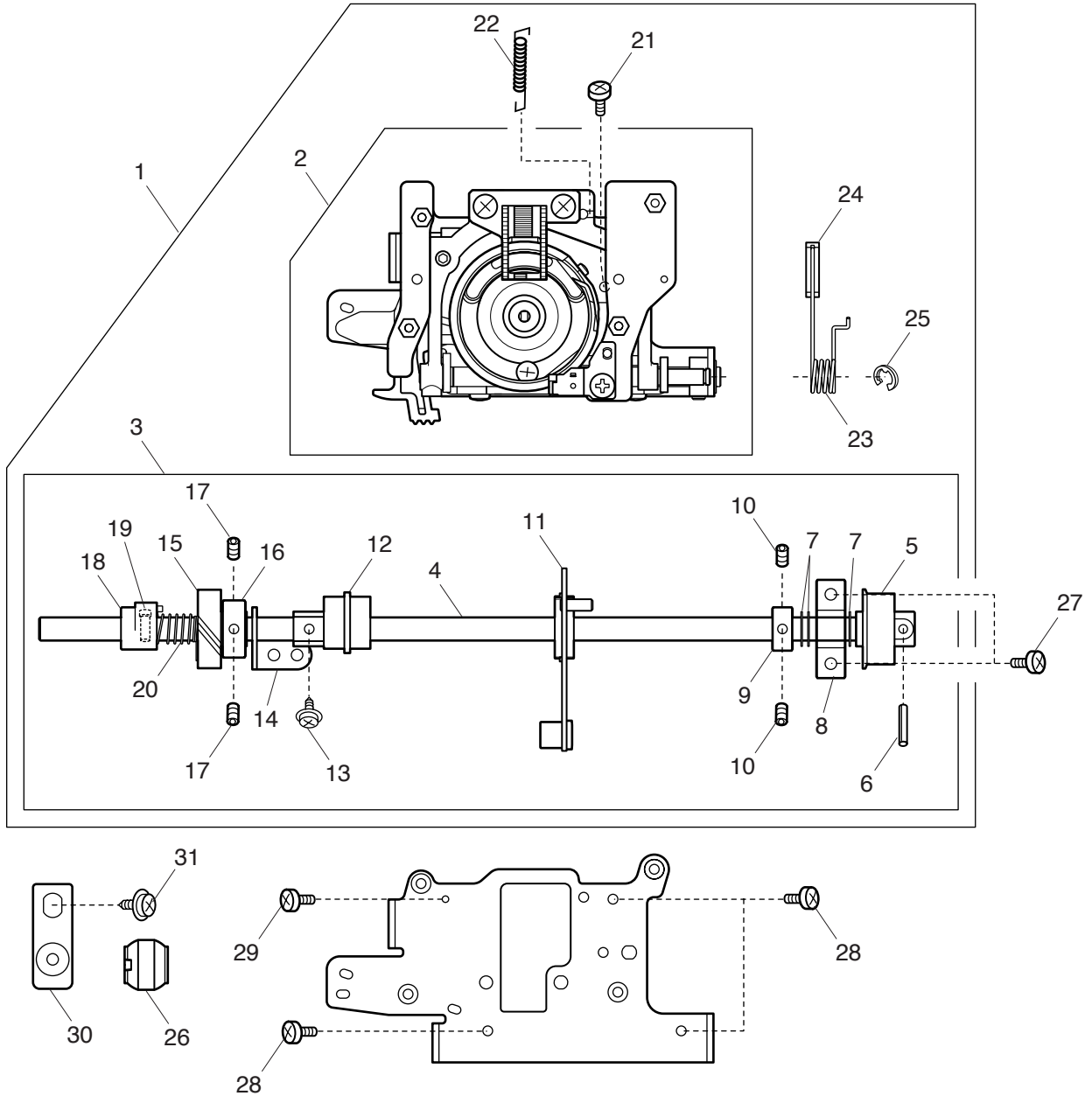
PARTS LIST



PARTS LIST

KEY NO.	PARTS NO.	DESCRIPTION
1	508605000	Presser bar base plate (unit)
2	508036004	Presser bar base plate
3	508037005	Needle drop adjusting plate
4	000101507	Setscrew 3.5x5
5	508040001	Thread tension release lever
6	000013903	Snap ring CS-5
7	735029004	Presser foot lifter
8	000001609	Snap ring E-5
9	508002001	Presser bar
10	508038006	Presser bar spring
11	508039007	Presser bar supporter
12	000111500	Hexagonal socket screw 4x8
13	508606001	Needle bar supporter (unit)
14	508041002	Needle bar supporter
15	648010009	Setscrew
16	000160102	Adjustable lock nut 4
17	660065007	Zigzag width rod guide
18	000101105	Setscrew 3x4
19	508607002	Needle bar (unit)
20	508509003	Needle bar connecting stud (unit)
21	660068000	Supporter adjusting plate
22	000036500	Washer FT60 t=0.5
23	650136009	Ring
24	000111201	Hexagonal socket screw 4x4
25	000101404	Setscrew 4x6
26	639110002	Needle bar supporter spring 2
27	000081005	Setscrew 4x8
28	102408089	Needle HA1-14
29	639017008	Needle bar supporter spring
30	508017009	Needle bar crank rod
31	660508007	Presser foot (unit)
32	660106001	Setscrew
33	000036005	Washer FT60 t=0.25

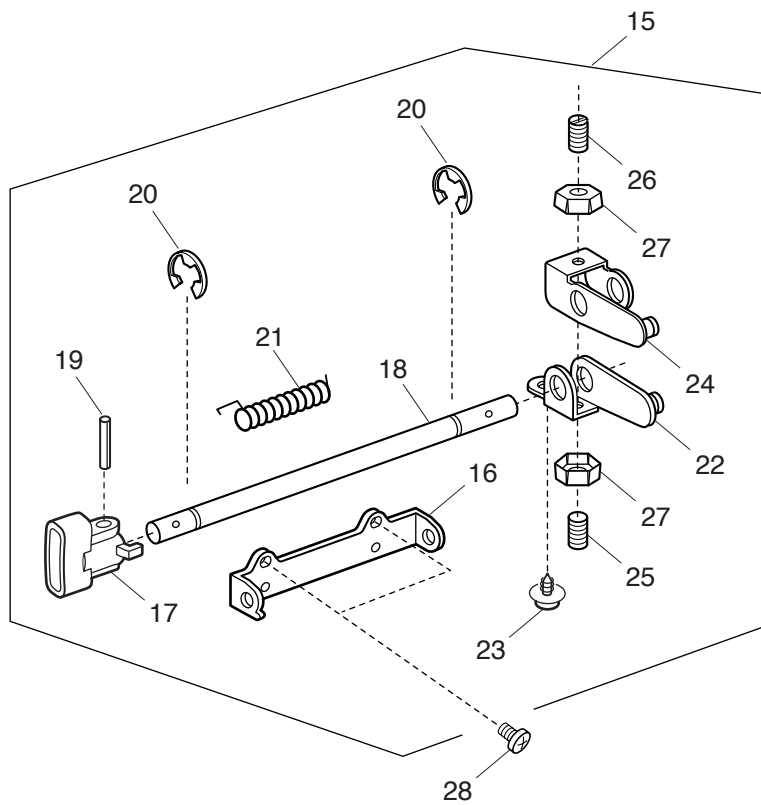
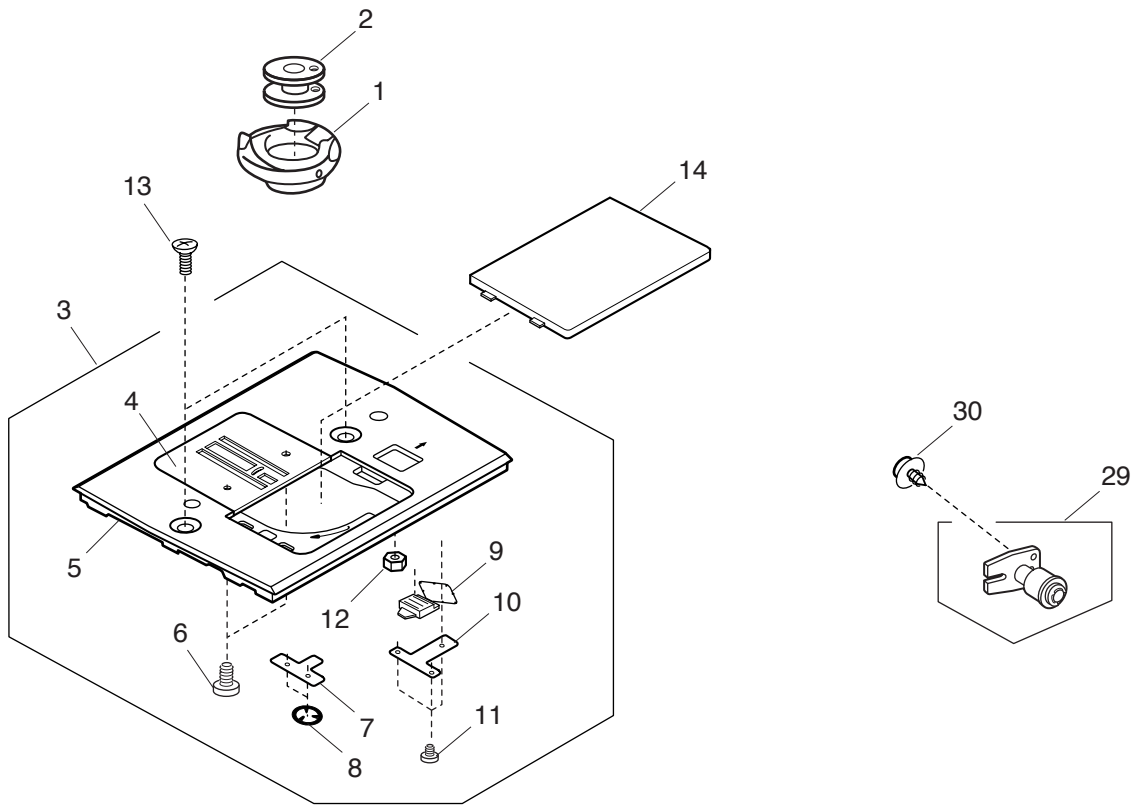
PARTS LIST



PARTS LIST

KEY NO.	PARTS NO.	DESCRIPTION
1	508636000	Hook race (whole unit)
2	508608003	Hook race (unit)
3	508611009	Lower shaft (unit)
4	508058002	Lower shaft
5	508021006	Upper shaft gear
6	000004200	Knock pin 3x18
7	000038502	Washer
8	508054101	Shaft fixing metal
9	820166001	Lower shaft ring
10	000111201	Hexagonal socket screw 4x4
11	508610008	Feed fork (unit)
12	751148000	Feed cam
13	000115009	Setscrew TP 3x8
14	508098004	Lower shaft supporter plate
15	508023008	Lower gear
16	508020005	Ring
17	000111108	Hexagonal socket screw 4x6
18	503165008	Feed lifting cam
19	820161006	Feed lifting pin
20	508113006	Feed lifting cam spring
21	000103705	Setscrew 4x5
22	508063000	Feed base spring
23	508065002	Feed fork spring
24	751152018	Feed fork spring plate
25	000002507	Snap ring E-4
26	732034003	Lower shaft bushing
27	000081005	Setscrew 4x8
28	000101703	Setscrew 4x12
29	000081500	Setscrew 3x12
30	502204007	Lower shaft bushing set plate
31	000115504	Setscrew TP 5x10

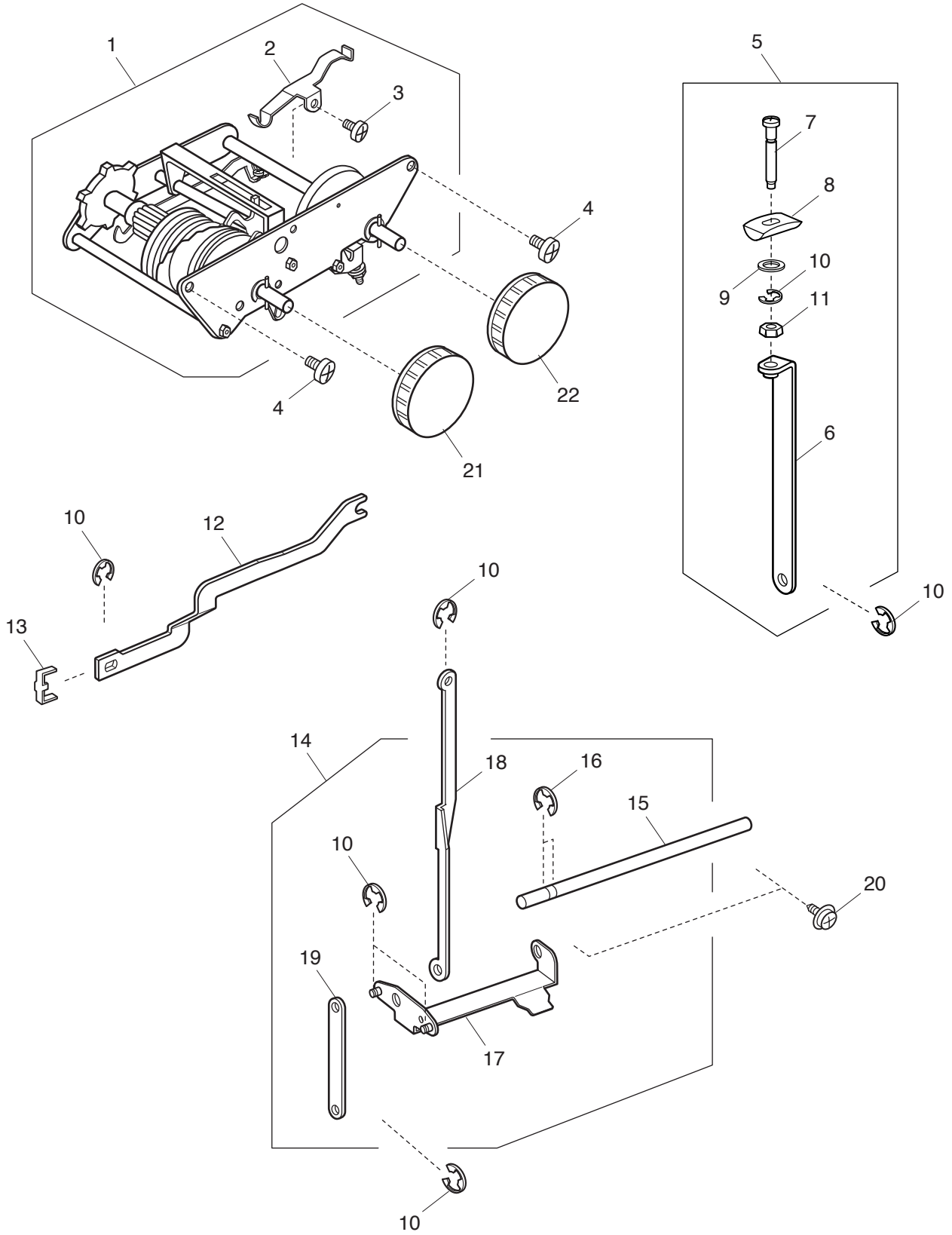
PARTS LIST



PARTS LIST

KEY NO.	PARTS NO.	DESCRIPTION
1	627569106	Bobbin holder (unit)
2	102261000	Bobbin
3	508612000	Needle plate (unit)
4	508033104	Needle plate
5	508034002	Support needle plate
6	000163703	Setscrew 2x3.5
7	502015009	Spring
8	000015503	Snap ring CS-2.4
9	502016000	Hook cover plate release button
10	502202005	Supporter plate
11	000130206	Setscrew 1.7x2.5 (B)
12	508116009	Nut
13	820390109	Setscrew
14	843271103	Hook cover plate
15	508613001	Feed regulator (unit)
16	508095001	Feed regulator shaft supporter
17	508067004	Feed regulator
18	508068005	Feed regulator shaft
19	000005108	Spring pin 2x18
20	000001609	Snap ring E-5
21	508069006	Feed regulator spring
22	508070000	Feed shaft set plate
23	000115906	Setscrew TP 3x12
24	508071001	Feed regulating plate
25	648010009	Setscrew
26	000159201	Setscrew 4x12
27	000160102	Adjustable lock nut 4
28	000081005	Setscrew 4x8
29	509614002	Idler (unit)
30	000115607	Setscrew TP 4x8

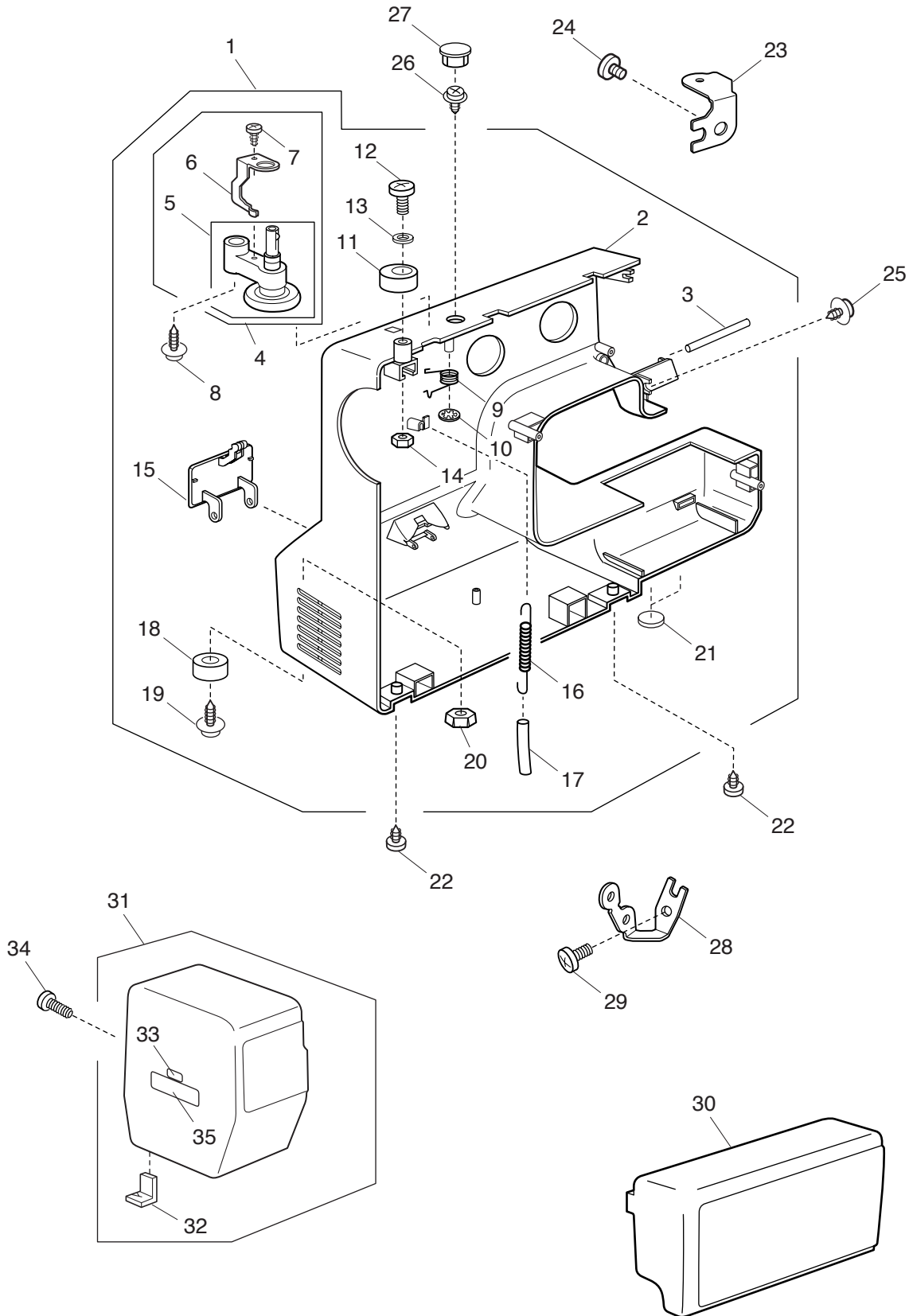
PARTS LIST



PARTS LIST

KEY NO.	PARTS NO.	DESCRIPTION
1	508615003	Cam block (unit)
2	737011009	Index spring
3	000103808	Setscrew 3x5
4	000081005	Setscrew 4x8
5	508637001	SS rod (unit)
6	508086009	SS rod
7	735074004	Adjusting screw
8	735076006	SS rod block
9	000071013	Washer 4
10	000002105	Snap ring E-3
11	000160102	Adjustable lock nut 4
12	508089002	Zigzag width rod
13	639098003	Zigzag width rod back plate
14	508616004	Reverse stitch shaft (unit)
15	508099005	Reverse stitch shaft
16	000001609	Snap ring E-5
17	508101001	Feed link
18	508087000	Feed rod (1)
19	508106006	Feed rod (2)
20	000115700	Setscrew TP 4x10
21	508088104	Dial (U.S.A) (Canada) (Australia) (UK) (Continental Europe)
	508088300	Dial (Russia)
22	508088207	Dial (U.S.A) (Canada) (Australia) (UK) (Continental Europe)
	508088403	Dial (Russia)

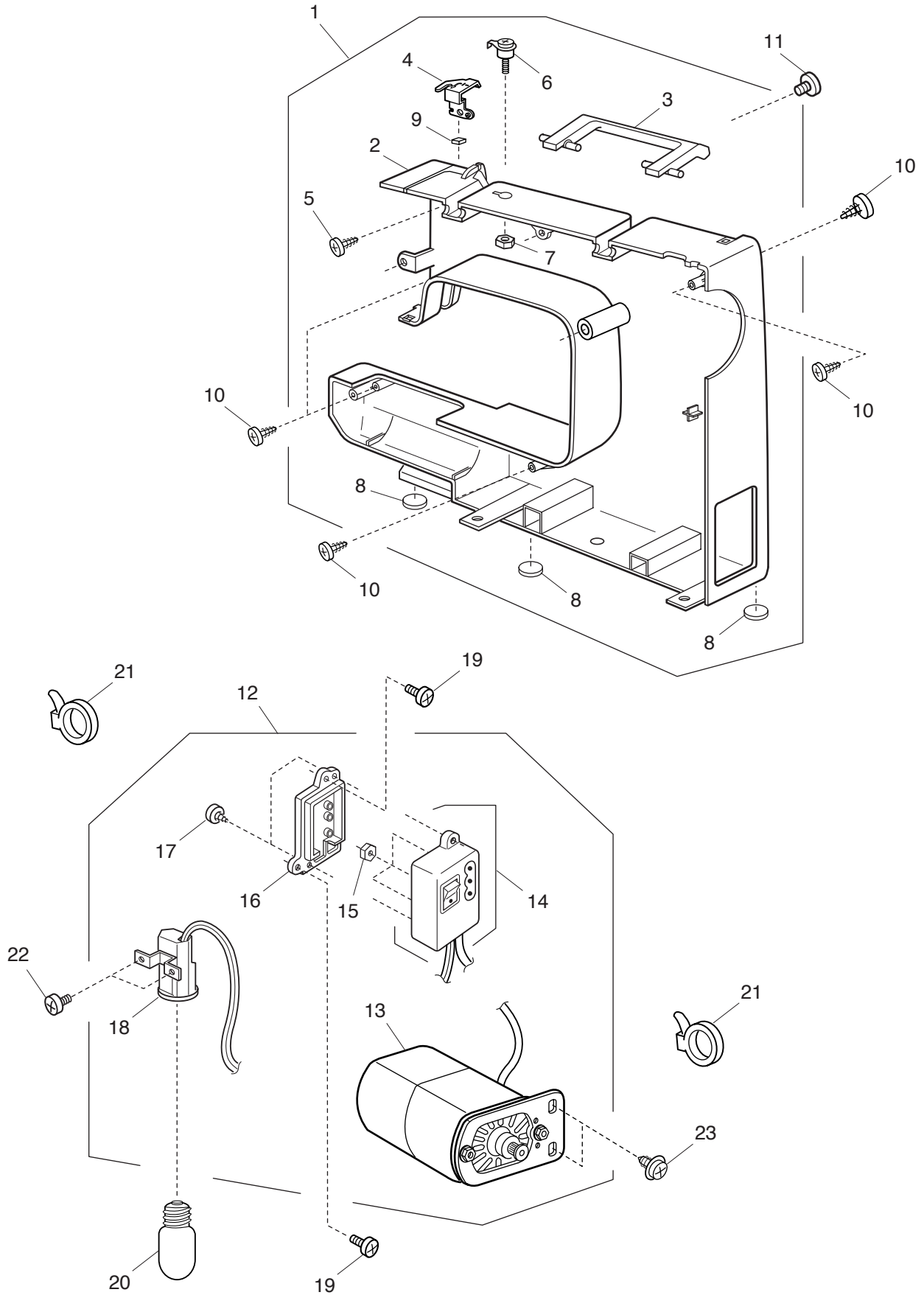
PARTS LIST



PARTS LIST

KEY NO.	PARTS NO.	DESCRIPTION
1	508619007	Front cover (unit) (U.S.A) (Canada) (Australia) (UK) (Continental Europe)
	508619018	Front cover (unit) (Russia)
2	508090109	Front cover
3	639075004	Thread guide
4	508620001	Bobbin winder (unit)
5	508507001	Bobbin winder arm (unit)
6	508111004	Clutch lever
7	000120203	Setscrew 3x8 (B)
8	000109103	Setscrew 4x12
9	508030008	Spring
10	000013903	Snap ring CS-5
11	735016307	Bobbin winder stopper
12	000101828	Setscrew 4x16
13	000071013	Washer
14	000061205	Nut 4-3-7
15	508100000	Reverse button
16	508031009	Reverse button spring
17	652102013	Spring cover
18	639005003	Rubber foot
19	000201405	Setscrew TP 4x16
20	000160102	Adjustable lock nut 4
21	525010005	Rubber foot
22	000161310	Setscrew 3x12 (B)
23	508093009	Front cover set plate
24	000101404	Setscrew 4x6
25	000115205	Setscrew TP 4x6
26	000115009	Setscrew TP 3x8
27	653006101	Cap
28	639080002	Front cover set plate
29	000081005	Setscrew 4x8
30	508032000	Extension table
31	508621002	Face plate (unit) (U.S.A.) (Australia)
	508621013	Face plate (unit) (Canada)
	508321024	Face plate (unit) (UK) (Continental Europe) (Russia)
32	840602006	Thread cutter (unit)
33	100411104	Lamp sticker
34	000105419	Setscrew 4x20
35	100517008	Caution sticker (Canada)

PARTS LIST

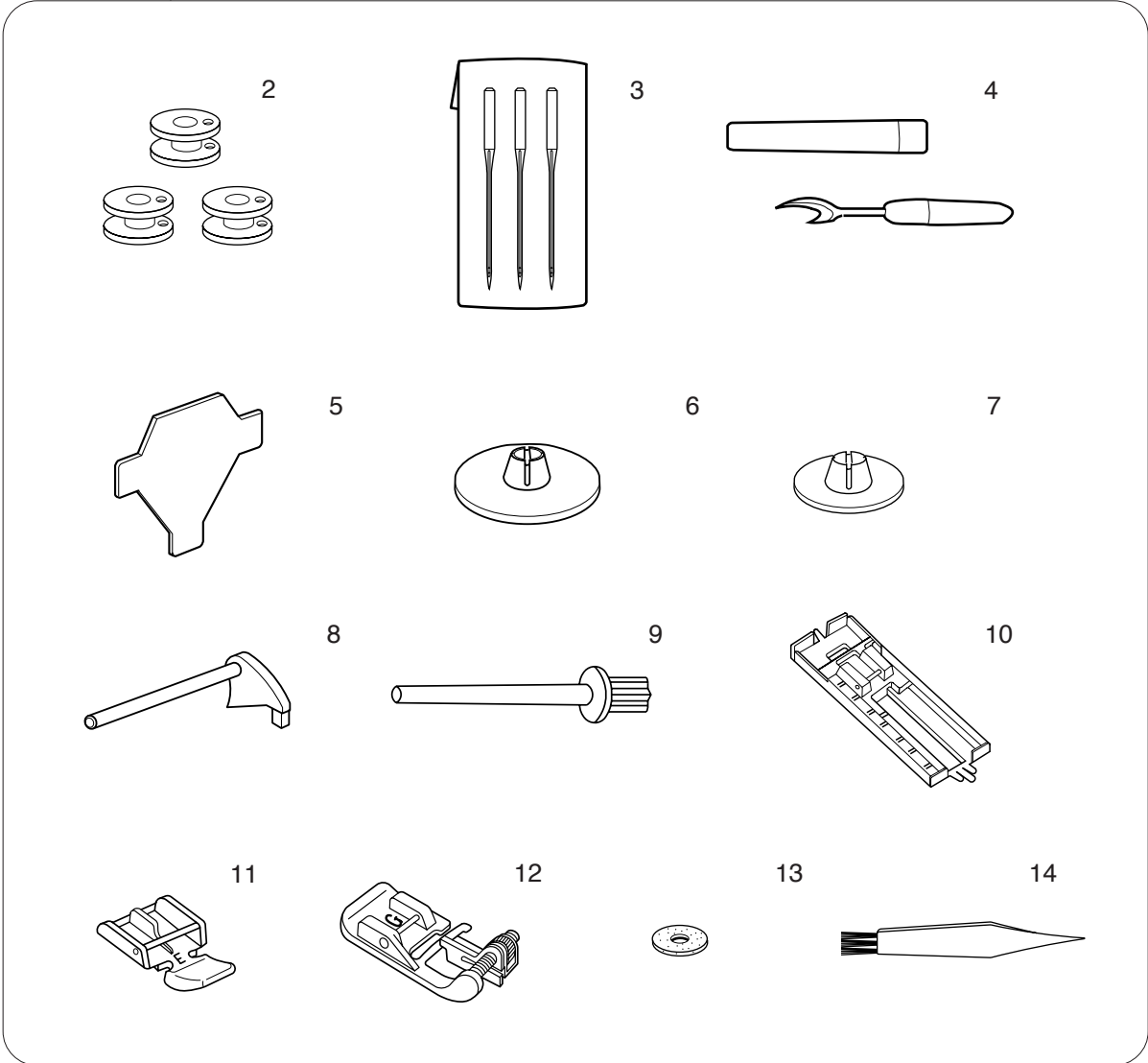


PARTS LIST

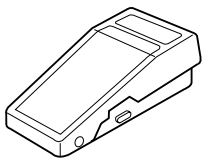
KEY NO.	PARTS NO.	DESCRIPTION
1	508618006	Rear cover (unit)
2	508027105	Rear cover
3	508028003	Carrying handle
4	660618001	Threader guide plate (unit)
5	000107905	Setscrew 3x6 (B)
6	730501011	Threader guide plate (unit)
7	000160102	Adjustable lock nut 4
8	525010005	Rubber foot
9	660077002	Felt
10	000161310	Setscrew 3x12 (B)
11	000081005	Setscrew 4x8
12	508622003	Machine socket (unit) (U.S.A)
	508622106	Machine socket (unit) (Canada)
	508631005	Machine socket (unit) (Australia) (UK) (Continental Europe) (Russia)
13	508623004	Motor (unit)
14	739505702	Machine socket (unit)
15	000060802	Nut 3-1-5.5
16	739037007	Machine socket cover
17	000107802	Setscrew 3x10 (B)
18	639512709	Lamp socket (unit)
19	000103509	Setscrew 4x10
20	000008606	Lamp 120V 15W E12 (U.S.A) (Canada)
	000009009	Lamp 240V 15W BA15D (Australia) (UK) (Continental Europe) (Russia)
21	000053008	Cord binder
22	000103808	Setscrew 3x5
23	000115504	Setscrew TP 5x10

PARTS LIST

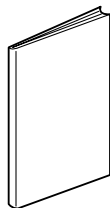
1



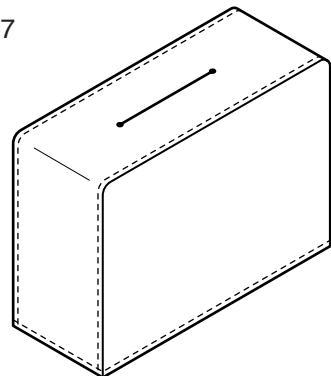
15



16



17



PARTS LIST

KEY NO.	PARTS NO.	DESCRIPTION
1	508870008	Accessory set
2	102261000	Bobbin
3	639804000	Needle set (unit)
4	647808009	Seam ripper
5	653802002	Screw driver
6	822020503	Large spool holder
7	822019509	Small spool holder
8	660005010	Additional spool pin
9	625031500	Additional spool pin (2)
10	825813016	Buttonhole foot
11	829801002	Zipper foot
12	820817015	Blind hem foot
13	102403109	Felt
14	802424004	Lint brush
15	C-1028	Foot control (U.S.A) (Canada)
	042970103	Foot control (Australia)
	042970206	Foot control (UK)
	042970402	Foot control (Continental Europe) (Russia)
16	508800007	Instruction book (EN/SP/FR)
	508800018	Instruction book (Russia)
	508800029	Instruction book (FINLAND)
	508800030	Instruction book (ITALY)
17	661802007	Cover (Continental Europe)