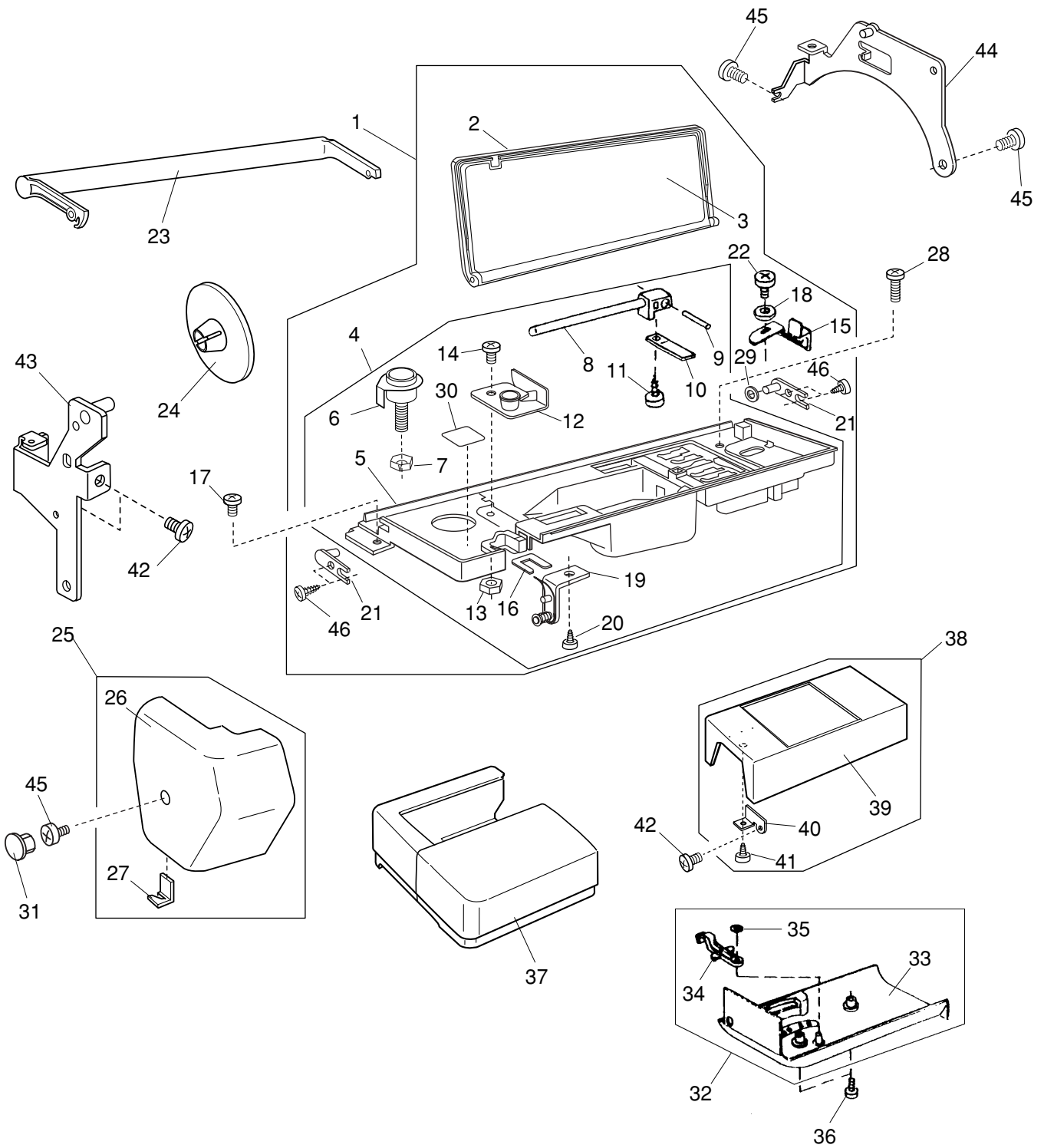


# ***PARTS LIST***

***MC4900QC***

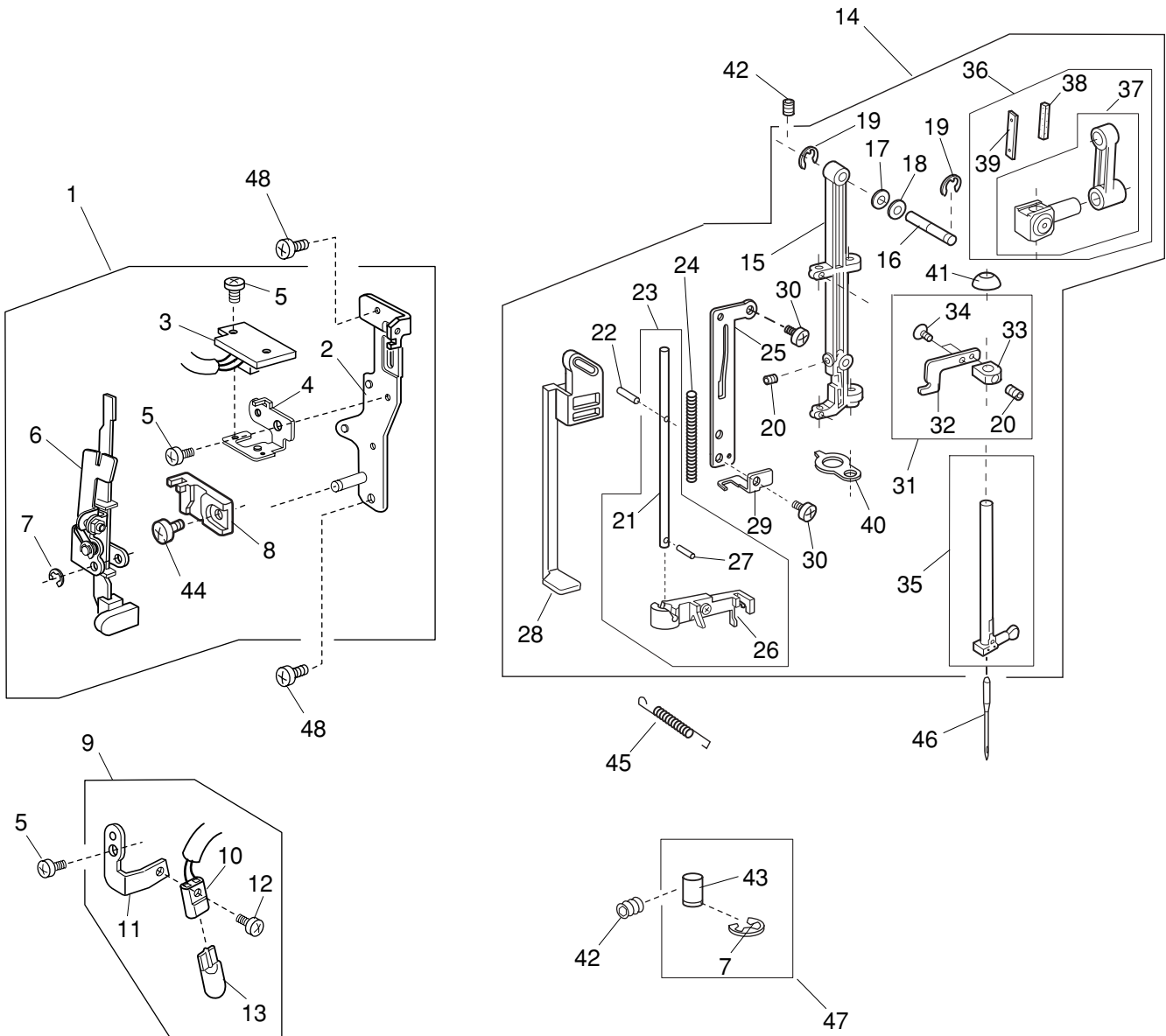
# PART LIST



# PART LIST

| NO. | PART NUMBER | DESCRIPTION                        |
|-----|-------------|------------------------------------|
| 1   | 847601006   | TOP COVER (UNIT)                   |
| 2   | 847602007   | TOP COVER (UNIT)                   |
| 3   | 847005004   | STITCH CHART                       |
| 4   | 847603008   | FOOT COMPARTMENT (UNIT)            |
| 5   | 847006005   | FOOT COMPARTMENT                   |
| 6   | 730501022   | THREAD GUIDE (UNIT)                |
| 7   | 000160102   | ADJUSTABLE LOCK NUT 4              |
| 8   | 822016609   | SPOOL PIN                          |
| 9   | 822017002   | SPOOL PIN SHAFT                    |
| 10  | 822018003   | SPOOL PIN SPRING                   |
| 11  | 000107318   | SETSCREW 3 X 8B                    |
| 12  | 847507001   | TOP COVER THREAD GUIDE (UNIT)      |
| 13  | 000062701   | NUT                                |
| 14  | 693093006   | SETSCREW                           |
| 15  | 503144001   | BOBBIN WINDLE STOPPER              |
| 16  | 847036004   | FELT                               |
| 17  | 000078342   | SETSCREW 3 X 6                     |
| 18  | 000070126   | WASHER 3                           |
| 19  | 849611005   | THREAD GUIDE PLATE (UNIT)          |
| 20  | 000161701   | SETSCREW 2.3 X 5B                  |
| 21  | 830013003   | TOP COVER HINGE                    |
| 22  | 000078320   | SETSCREW 3 X 6                     |
| 23  | 847007006   | CARRYING HANDLE                    |
| 24  | 822020503   | SPOOL HOLDER (LARGE)               |
| 25  | 847604009   | FACE PLATE (UNIT)                  |
| 26  | 847010105   | FACE PLATE                         |
| 27  | 840602006   | THREAD CUTTER (UNIT)               |
| 28  | 000080901   | SETSCREW 4 X 25                    |
| 29  | 830190005   | WASHER                             |
| 30  | 847033001   | STICKER                            |
| 31  | 653006101   | CAP                                |
| 32  | 827602108   | BED COVER (UNIT)                   |
| 33  | 827004104   | BED COVER                          |
| 34  | 753005000   | FEED DOG DROP LEVER                |
| 35  | 000013903   | SNAP RING CS-5                     |
| 36  | 000101703   | SETSCREW 4 X 12                    |
| 37  | 847504008   | EXTENSION TABLE (UNIT)             |
| 38  | 659601007   | FREE ARM COVER (UNIT)              |
| 39  | 659001001   | FREE ARM COVER                     |
| 40  | 756004008   | FREE ARM COVER FIXING PLATE        |
| 41  | 000120203   | SETSCREW 3 X 8B                    |
| 42  | 000101404   | SETSCREW 4 X 6                     |
| 43  | 847008007   | CARRYING HANDLE BASE PLATE (FRONT) |
| 44  | 847009008   | CARRYING HANDLE BASE PLATE (REAR)  |
| 45  | 000081005   | SETSCREW 4 X 8                     |
| 46  | 000120214   | SETSCREW 3 X 8B                    |

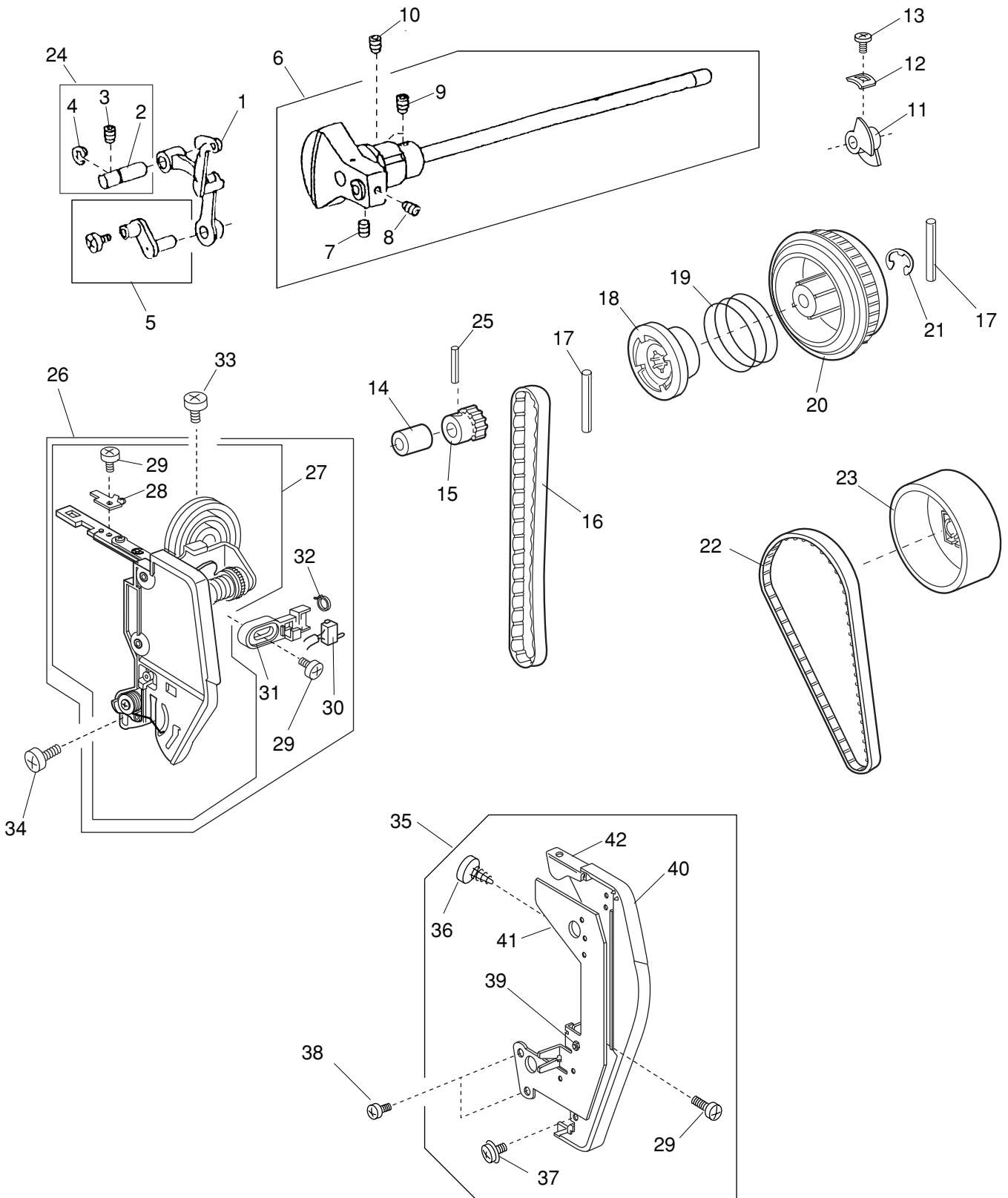
# PART LIST



# PART LIST

| NO. | PART NUMBER | DESCRIPTION                              |
|-----|-------------|--|
| 1   | 847609004   | FRONT BRACKET (UNIT)                     |
| 2   | 847030008   | FRONT BRACKET                            |
| 3   | 843502107   | PRINTED CIRCUIT BOARD E1 (UNIT)          |
| 4   | 847040001   | BUTTONHOLE SENSOR FIXING PLATE           |
| 5   | 000101105   | SETSCREW 3 X 4                           |
| 6   | 843625107   | BUTTONHOLE LEVER (UNIT)                  |
| 7   | 000002105   | SNAP RING E-3                            |
| 8   | 830057010   | BUTTONHOLE LEVER GUIDE                   |
| 9   | 847610008   | LAMP SOCKET (UNIT)                       |
| 10  | 843508206   | LAMP SOCKET (UNIT)                       |
| 11  | 843007004   | LAMP FIXING PLATE                        |
| 12  | 000102900   | SETSCREW 2 X 8                           |
| 13  | 000026002   | WEDGE BASE LAMP 12 V 5 W                 |
| 14  | 840647106   | NEEDLE BAR SUPPORTER (UNIT)              |
| 15  | 827026010   | NEEDLE BAR SUPPORTER                     |
| 16  | 840137005   | NEEDLE BAR SUPPORTER PIN                 |
| 17  | 673022002   | WASHER                                   |
| 18  | 000070609   | WASHER 6                                 |
| 19  | 000002507   | SNAP RING E-4                            |
| 20  | 000111902   | HEXAGONAL SOCKET SCREW 3 X 4             |
| 21  | 840036003   | NEEDLE THREADER BAR                      |
| 22  | 000125105   | PIN                                      |
| 23  | 840646002   | NEEDLE THREADER BAR (UNIT)               |
| 24  | 840035002   | NEEDLE THREADER SPRING                   |
| 25  | 840033000   | NEEDLE THREADER GUIDE PLATE              |
| 26  | 755643002   | NEEDLE THREADER PLATE (UNIT)             |
| 27  | 000003508   | PIN 2 X 8                                |
| 28  | 840034001   | NEEDLE THREADER LEVER                    |
| 29  | 840037004   | NEEDLE THREADER LEVER SETTING PLATE      |
| 30  | 000078319   | SETSCREW 3 X 6                           |
| 31  | 734625003   | NEEDLE THREADER POSITIONING PLATE (UNIT) |
| 32  | 734101008   | NEEDLE THREADER POSITIONING PLATE        |
| 33  | 734102009   | NEEDLE THREADER POSITIONING BASE         |
| 34  | 000097602   | SETSCREW 2 X 4                           |
| 35  | 653503103   | NEEDLE BAR (UNIT)                        |
| 36  | 653612003   | NEEDLE BAR CONNECTING STUD (UNIT)        |
| 37  | 653504001   | NEEDLE BAR CONNECTING STUD (UNIT)        |
| 38  | 650040005   | FELT                                     |
| 39  | 650041006   | FELT SETTING LEAF                        |
| 40  | 829027006   | NEEDLE BAR SUPPORTER GUIDE PLATE         |
| 41  | 827098002   | WASHER                                   |
| 42  | 000111201   | HEXAGONAL SOCKET SCREW 4 X 4             |
| 43  | 827083004   | NEEDLE BAR SUPPORTER GUIDE PLATE PIN     |
| 44  | 000103808   | SETSCREW 3 X 5                           |
| 45  | 827092006   | NEEDLE BAR SUPPORTER SPRING              |
| 46  | 102408089   | NEEDLE HA1-14                            |
| 47  | 842625001   | NEEDLE BAR SUPPORTER GUIDE PIN (UNIT)    |
| 48  | 000101404   | SETSCREW 4 X 6                           |

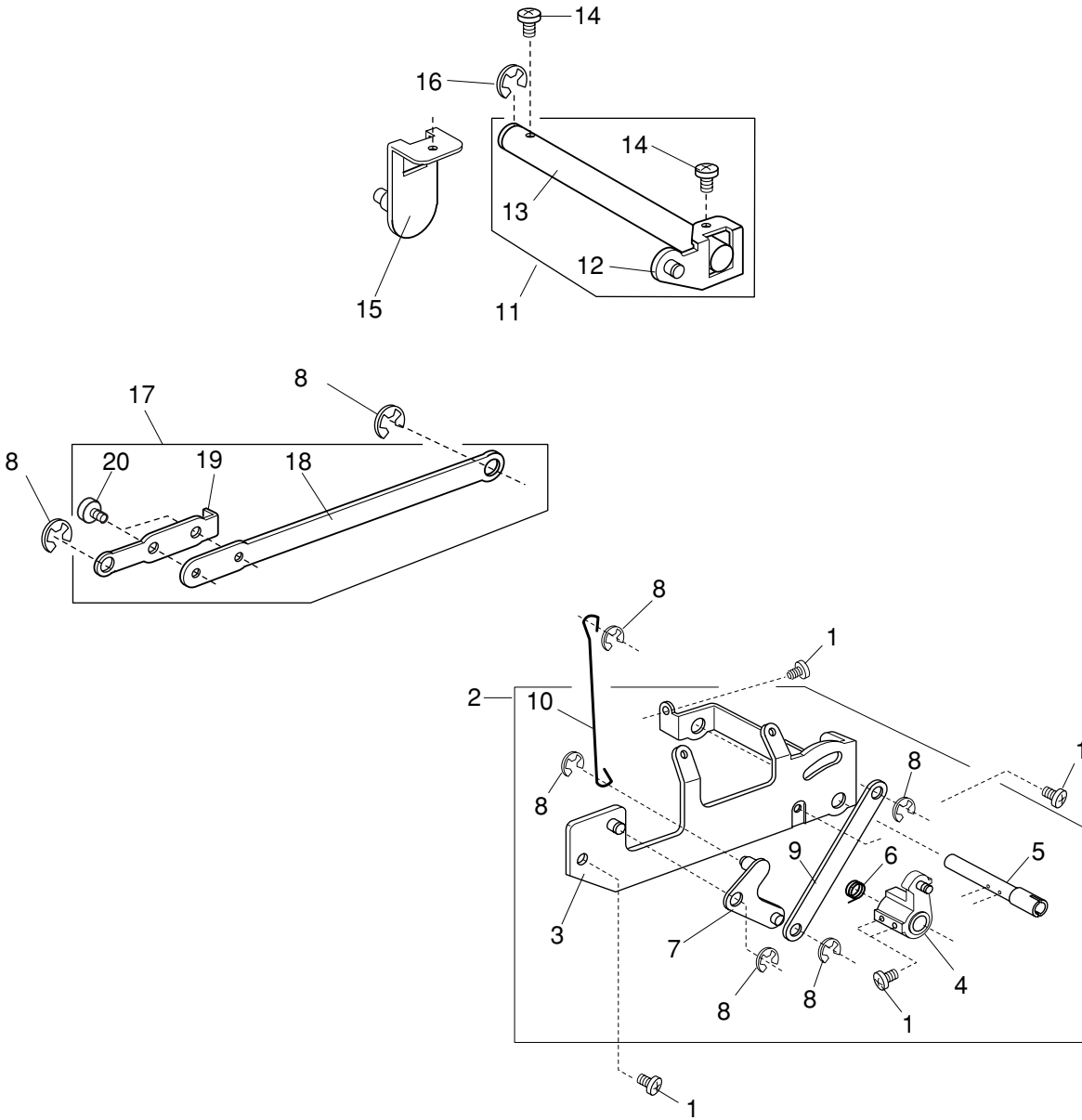
# PART LIST



# PART LIST

| NO. | PART NUMBER | DESCRIPTION                             |
|-----|-------------|---|
| 1   | 820511108   | THREAD TAKE-UP LEVER (UNIT)             |
| 2   | 650062003   | THREAD TAKE-UP LEVER SUPPORT PIN        |
| 3   | 000111201   | HEXAGONAL SOCKET SCREW 4 X 4            |
| 4   | 000001702   | SNAP RING E-6                           |
| 5   | 652512009   | NEEDLE BAR CRANK PIN (UNIT)             |
| 6   | 848613004   | UPPER SHAFT (UNIT)                      |
| 7   | 000111706   | HEXAGONAL SOCKET SCREW 5 X 8            |
| 8   | 000110901   | HEXAGONAL SOCKET SCREW 5 X 4            |
| 9   | 000111304   | HEXAGONAL SOCKET SCREW 5 X 5            |
| 10  | 000111304   | HEXAGONAL SOCKET SCREW 5 X 5            |
| 11  | 830095010   | SHIELD PLATE                            |
| 12  | 820102009   | WASHER                                  |
| 13  | 000081005   | SETSCREW 4 X 8                          |
| 14  | 673062004   | UPPER SHAFT BUSHING (REAR)              |
| 15  | 756017004   | UPPER SHAFT ADJUSTING WHEEL             |
| 16  | 650071005   | TIMING BELT                             |
| 17  | 000024206   | SPRING PIN 3 X 30                       |
| 18  | 502064003   | CLUTCH RING                             |
| 19  | 502065004   | CLUTCH SPRING                           |
| 20  | 844050016   | BELT WHEEL                              |
| 21  | 000030205   | SNAP RING E-8                           |
| 22  | 653139012   | TIMING BELT                             |
| 23  | 844077008   | HANDWHEEL                               |
| 24  | 650626001   | THREAD TAKE-UP LEVER SUPPORT PIN (UNIT) |
| 25  | 000020501   | SPRING PIN 3 X 22                       |
| 26  | 847606001   | THREAD TENSION (UNIT)                   |
| 27  | 847505009   | THREAD TENSION (UNIT)                   |
| 28  | 849062005   | SWITCH PLATE                            |
| 29  | 000103808   | SETSCREW 3 X 5                          |
| 30  | 753507007   | BUTTONHOLE SELECT SWITCH (UNIT)         |
| 31  | 827100008   | BUTTONHOLE SELECT SWITCH FIXING PLATE   |
| 32  | 000053008   | CORD BINDER                             |
| 33  | 000101404   | SETSCREW 4 X 6                          |
| 34  | 000101703   | SETSCREW 4 X 12                         |
| 35  | 847605000   | THREAD TAKE-UP LEVER COVER (UNIT)       |
| 36  | 000120203   | SETSCREW 3 X 8B                         |
| 37  | 000115401   | SETSCREW TP 3 X 4                       |
| 38  | 000101507   | SETSCREW 3.5 X 5                        |
| 39  | 000061803   | NUT 3-3-5.5                             |
| 40  | 847017009   | THREAD TAKE-UP LEVER COVER              |
| 41  | 847018000   | THREAD TAKE-UP LEVER COVER BASE PLATE   |
| 42  | 847019001   | THREAD TAKE-UP LEVER GUIDE PLATE        |

# PART LIST



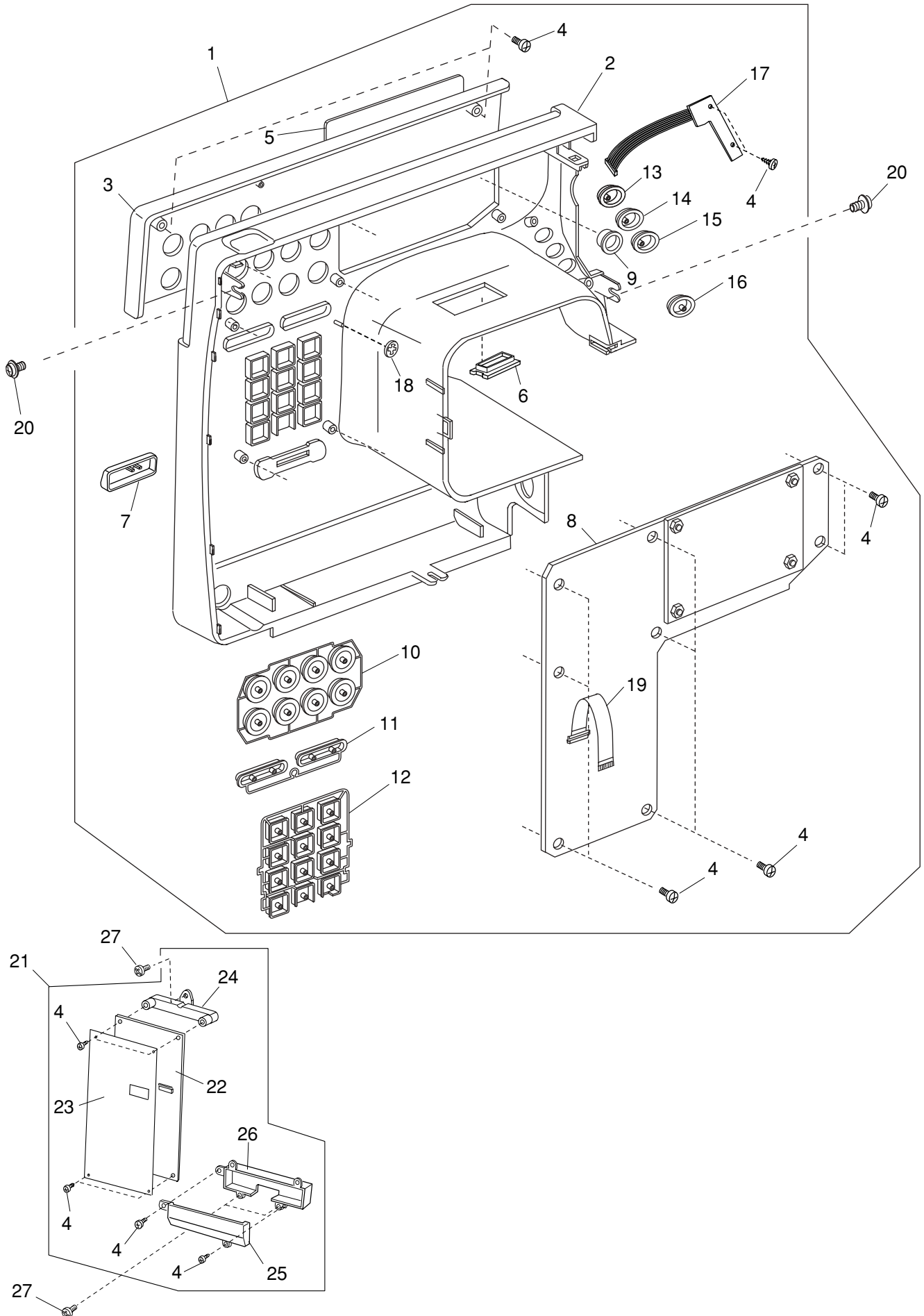


# PART LIST

---

| NO. | PART NUMBER | DESCRIPTION                             |
|-----|-------------|---|
| 1   | 000081005   | SETSCREW 4 X 8                          |
| 2   | 849601002   | KNEE LIFTER LINK SUPPORTER PLATE (UNIT) |
| 3   | 849004009   | KNEE LIFTER LINK SUPPORTER PLATE        |
| 4   | 849005000   | KNEE LIFTER LINK                        |
| 5   | 849006001   | KNEE LIFTER SHAFT                       |
| 6   | 849007002   | KNEE LIFTER SHAFT SPRING                |
| 7   | 849008003   | KNEE LIFTER LINK SPRING                 |
| 8   | 000002507   | SNAP RING E-4                           |
| 9   | 849009004   | KNEE LIFTER LINK 2                      |
| 10  | 849010008   | KNEE LIFTER ROD 1                       |
| 11  | 849618002   | KNEE LIFTER LINK SHAFT (UNIT)           |
| 12  | 849011009   | KNEE LIFTER LINK 5                      |
| 13  | 849012000   | KNEE LIFTER LINK SHAFT                  |
| 14  | 000103509   | SETSCREW 4 X 10                         |
| 15  | 849013001   | KNEE LIFTER LINK 4                      |
| 16  | 000002909   | SNAP RING E-7                           |
| 17  | 849615009   | KNEE LIFTER LINK (UNIT)                 |
| 18  | 849014002   | KNEE LIFTER LINK 7                      |
| 19  | 849018006   | KNEE LIFTER LINK 8                      |
| 20  | 000101507   | SETSCREW 3.5 X 5                        |

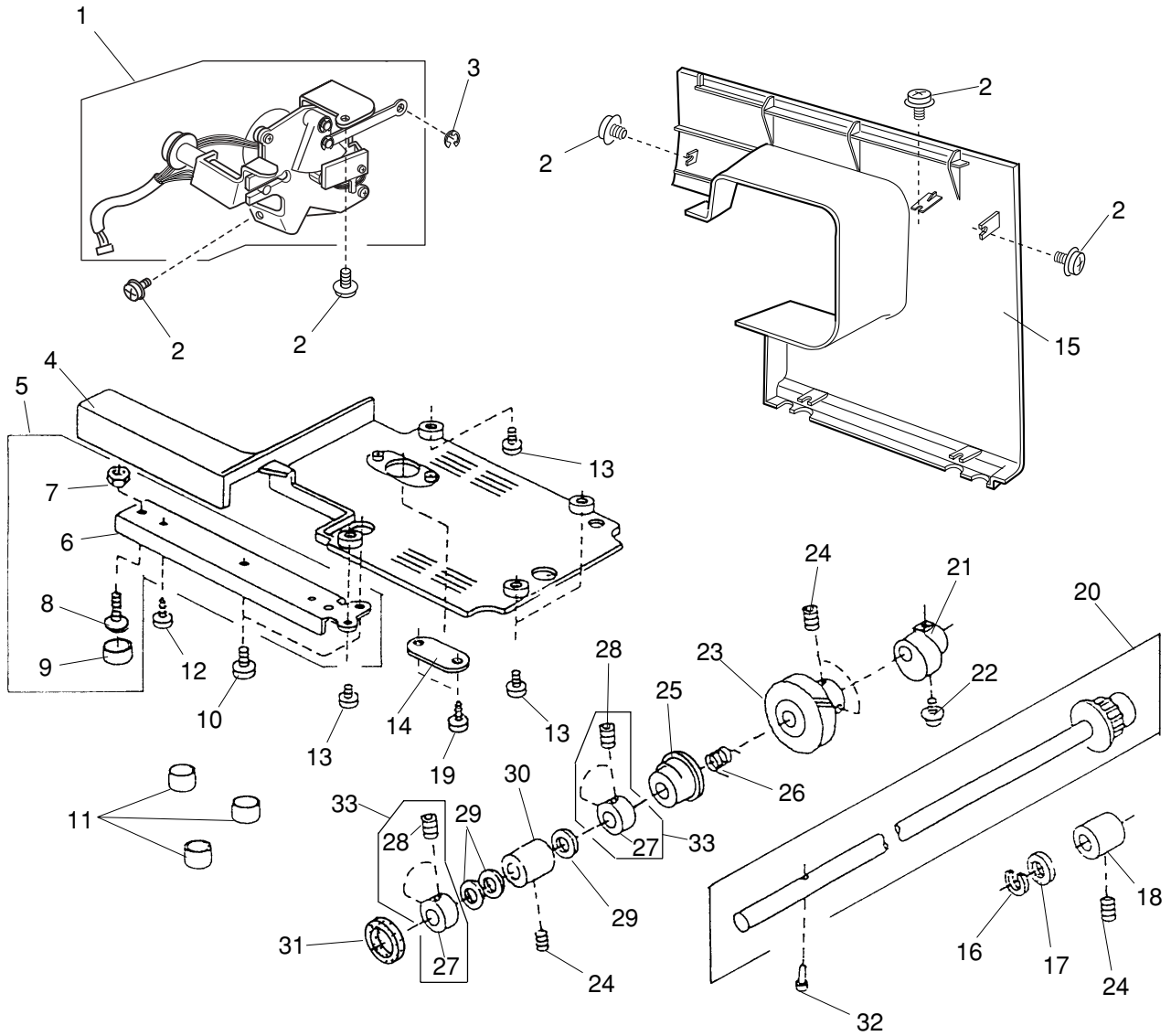
# PART LIST



# PART LIST

| NO. | PART NUMBER | DESCRIPTION                                 |
|-----|-------------|---|
| 1   | 847607002   | FRONT COVER (UNIT)                          |
| 2   | 847022203   | FRONT COVER                                 |
| 3   | 847023101   | PANEL                                       |
| 4   | 000120203   | SETSCREW 3 X 8B                             |
| 5   | 847024102   | LED WINDOW                                  |
| 6   | 851056106   | LAMP COVER                                  |
| 7   | 847029004   | SPEED CONTROL LEVER                         |
| 8   | 847501005   | PRINTED CIRCUIT BOARD K                     |
| 9   | 844066107   | SCREEN BRIGHTNESS ADJUSTING DIAL            |
| 10  | 847026104   | BUTTON 1                                    |
| 11  | 847027105   | BUTTON 2                                    |
| 12  | 847028106   | BUTTON 3                                    |
| 13  | 846008118   | BUTTON 1                                    |
| 14  | 846008200   | BUTTON 1                                    |
| 15  | 846008509   | BUTTON 1                                    |
| 16  | 847025103   | START/STOP BUTTON                           |
| 17  | 847502006   | PRINTED CIRCUIT BOARD F (UNIT)              |
| 18  | 000014306   | SNAP RING CS-3                              |
| 19  | 844512000   | FLEXIBLE FLAT CABLE                         |
| 20  | 000115205   | SETSCREW TP 4 X 6                           |
| 21  | 847608003   | PRINTED CIRCUIT BOARD A (UNIT)              |
| 22  | 847503007   | PRINTED CIRCUIT BOARD A (UNIT)              |
| 23  | 847034002   | INSULATING PAPER                            |
| 24  | 848014009   | PRINTED CIRCUIT BOARD A FIXING BASE (UPPER) |
| 25  | 846184005   | PRINTED CIRCUIT BOARD A CASE                |
| 26  | 846185006   | PRINTED CIRCUIT BOARD A CASE COVER          |
| 27  | 000081005   | SETSCREW 4 X 8                              |

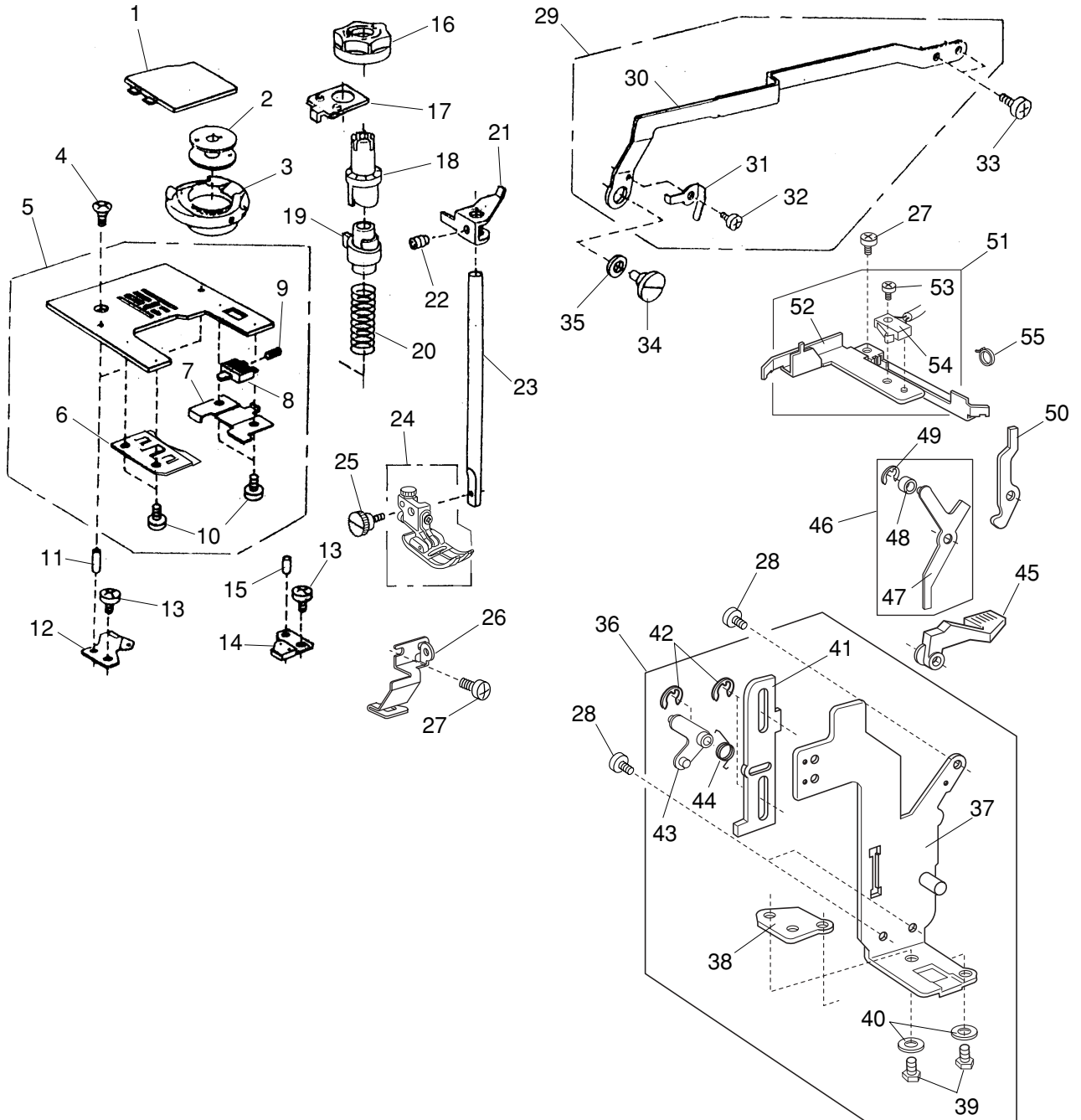
# PART LIST



# PART LIST

| NO. | PART NUMBER | DESCRIPTION                  |
|-----|-------------|------------------------------|
| 1   | 844602008   | FEED MOTOR (UNIT)            |
| 2   | 000115205   | SETSCREW TP 4 X 6            |
| 3   | 000002105   | SNAP RING E-3                |
| 4   | 827003000   | BASE                         |
| 5   | 827601107   | FREE ARM LEG (UNIT)          |
| 6   | 827002102   | FREE ARM LEG                 |
| 7   | 000061412   | NUT                          |
| 8   | 000097901   | SETSCREW 5 X 18              |
| 9   | 735002001   | RUBBER FOOT                  |
| 10  | 000066808   | SETSCREW 6 X 14              |
| 11  | 647009002   | BED RUBBER FOOT              |
| 12  | 000161206   | SETSCREW 3 X 10B             |
| 13  | 000103509   | SETSCREW 4 X 10              |
| 14  | 824058001   | BASE COVER                   |
| 15  | 849001109   | REAR COVER                   |
| 16  | 822112008   | FELT HOLDER 1                |
| 17  | 822070003   | FELT 1                       |
| 18  | 650079003   | LOWER SHAFT BUSHING (REAR)   |
| 19  | 000107318   | SETSCREW 3 X 8B              |
| 20  | 827613009   | LOWER SHAFT (UNIT)           |
| 21  | 823026111   | FEED CAM                     |
| 22  | 000149600   | SETSCREW 3 X 14              |
| 23  | 650076000   | LOWER SHAFT GEAR             |
| 24  | 000111304   | HEXAGONAL SOCKET SCREW 5 X 5 |
| 25  | 753183025   | FEED CAM                     |
| 26  | 686035008   | FEED CAM SPRING              |
| 27  | 820166001   | RING                         |
| 28  | 000111201   | HEXAGONAL SOCKET SCREW 4 X 4 |
| 29  | 000038502   | SOMALITE WAHSER              |
| 30  | 650078002   | LOWER SHAFT BUSHING (FRONT)  |
| 31  | 735143005   | FELT                         |
| 32  | 820161006   | FEED PIN                     |
| 33  | 820672005   | LOWER SHAFT RING (UNIT)      |

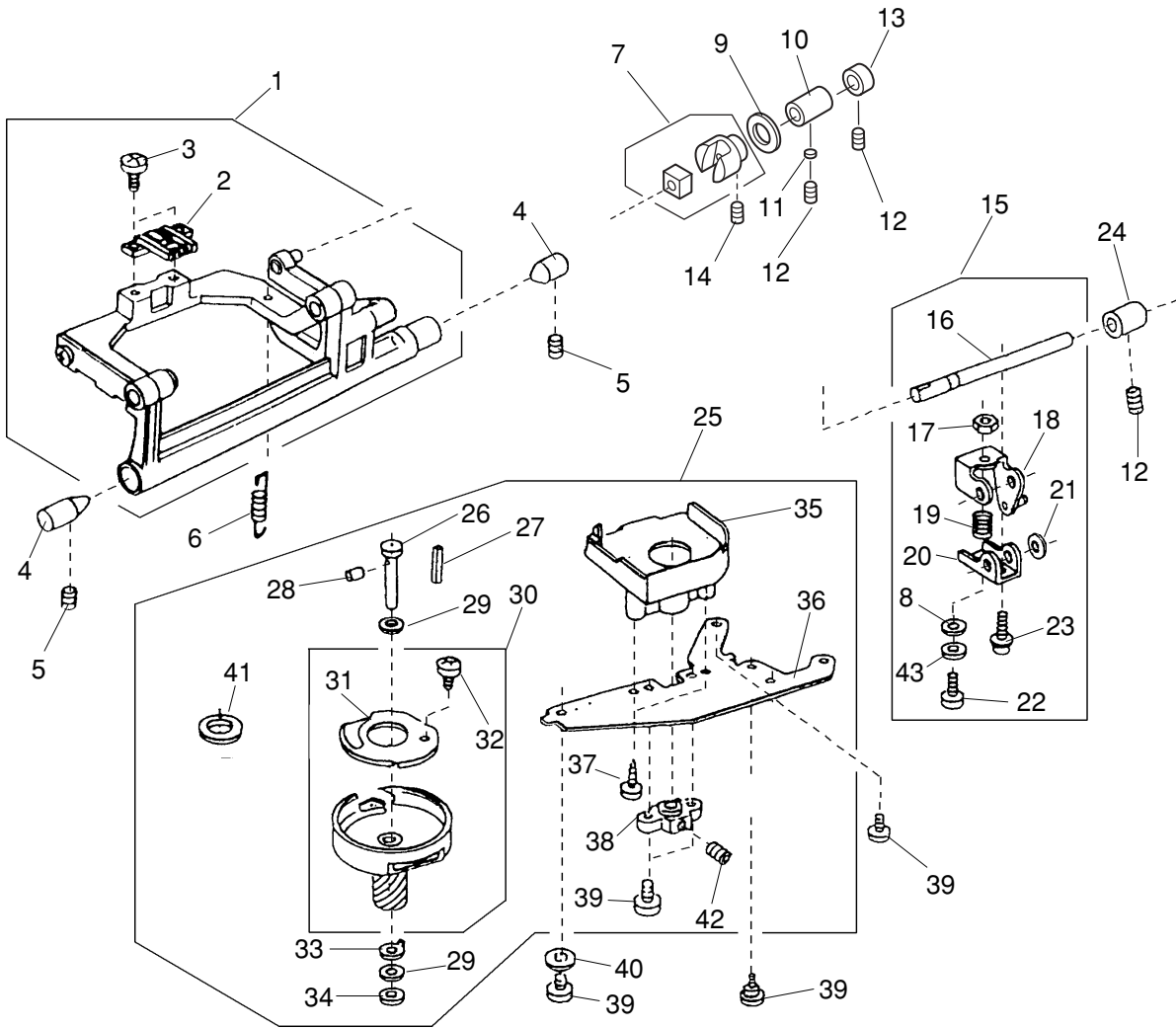
# PART LIST



# PART LIST

| NO. | PART NUMBER | DESCRIPTION                         |
|-----|-------------|-------------------------------------|
| 1   | 750036012   | HOOK COVER PLATE                    |
| 2   | 102261000   | BOBBIN                              |
| 3   | 627569209   | BOBBIN HOLDER (UNIT)                |
| 4   | 681009101   | SETSCREW                            |
| 5   | 756604303   | NEEDLE PLATE (UNIT)                 |
| 6   | 832235010   | HOOK COVER PLATE HOLDER (LEFT)      |
| 7   | 825015010   | HOOK COVER PLATE HOLDER (RIGHT)     |
| 8   | 825016000   | HOOK COVER PLATE RELEASE BUTTON     |
| 9   | 825017001   | HOOK COVER PLATE HOLDER SPRING      |
| 10  | 820374004   | SETSCREW 2 X 2.3                    |
| 11  | 000122504   | PIN                                 |
| 12  | 827011001   | BOBBIN HOLDER STOPPER               |
| 13  | 810220003   | SETSCREW                            |
| 14  | 627567001   | BOBBIN HOLDER STOPPER (UNIT)        |
| 15  | 000122700   | PIN                                 |
| 16  | 822065005   | FOOT PRESSURE DIAL                  |
| 17  | 840120005   | FOOT PRESSURE DIAL SETTING PLATE    |
| 18  | 686027007   | FOOT PRESSURE ADJUSTING CAM (1)     |
| 19  | 686028008   | FOOT PRESSURE ADJUSTING CAM (2)     |
| 20  | 840129004   | PRESSER FOOT SPRING                 |
| 21  | 849051001   | PRESSER BAR FIXING PLATE            |
| 22  | 000111500   | HEXAGONAL SOCKET SCREW 4 X 8        |
| 23  | 827021004   | PRESSER BAR                         |
| 24  | 829515006   | ZIGZAG FOOT (UNIT)                  |
| 25  | 753199002   | SETSCREW                            |
| 26  | 847020005   | ARM THREAD GUIDE                    |
| 27  | 000101404   | SETSCREW 4 X 6                      |
| 28  | 000081005   | SETSCREW 4 X 8                      |
| 29  | 827622012   | ZIGZAG ROD (UNIT)                   |
| 30  | 827055018   | ZIGZAG ROD                          |
| 31  | 827088009   | ZIGZAG ROD SPRING                   |
| 32  | 820373003   | SETSCREW 2 X 3                      |
| 33  | 000078319   | SETSCREW 3 X 6                      |
| 34  | 678084007   | ECCENTRIC PIN                       |
| 35  | 653037008   | WASHER                              |
| 36  | 849606007   | FRONT SET PANEL (UNIT)              |
| 37  | 848023104   | FRONT SET PANEL                     |
| 38  | 827082003   | PRESSER FOOT POSITIONING PLATE      |
| 39  | 000066303   | HEXAGONAL BOLT                      |
| 40  | 000070908   | WASHER 4                            |
| 41  | 849025006   | PRESSER BAR SUPPORTER LINK          |
| 42  | 000002507   | SNAP RING E-4                       |
| 43  | 849026007   | KNEE LIFTER LINK 6                  |
| 44  | 849063006   | KNEE LIFTER LINK SPRING 2           |
| 45  | 849052105   | PRESSER FOOT LIFTER                 |
| 46  | 849614008   | THREAD TENSION RELEASE LEVER (UNIT) |
| 47  | 849027008   | THREAD TENSION RELEASE LEVER 1      |
| 48  | 846210001   | ROLLER                              |
| 49  | 000002105   | SNAP RING E-3                       |
| 50  | 827023006   | THREAD TENSION RELEASE LEVER (2)    |
| 51  | 849610004   | PRESSER FOOT SENSOR (UNIT)          |
| 52  | 849028009   | CORD GUIDE                          |
| 53  | 000102900   | SETSCREW 2 X 8                      |
| 54  | 660518804   | MICRO SWITCH (UNIT)                 |
| 55  | 000053008   | CORD BINDER                         |

# PART LIST

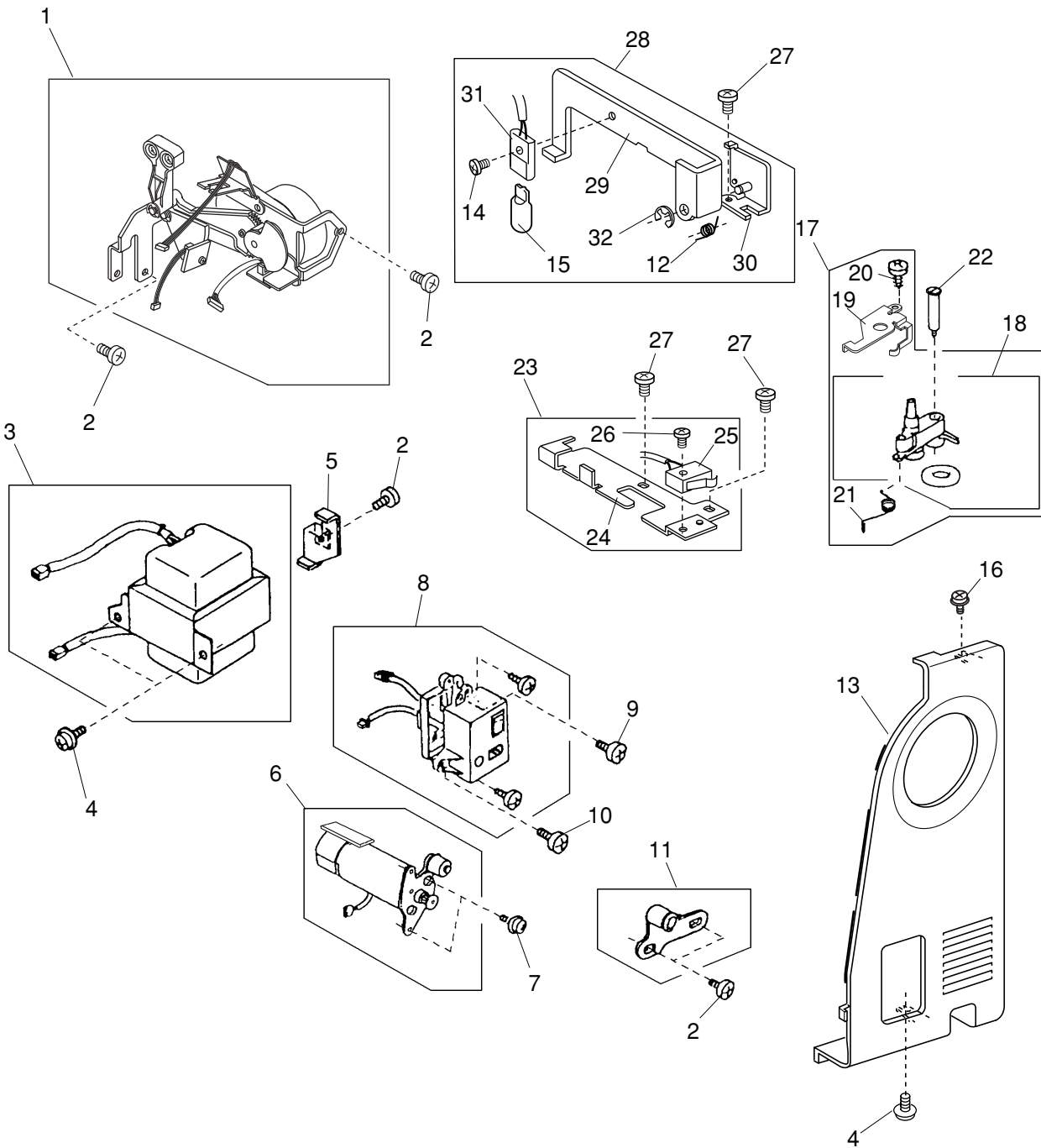




# PART LIST

| NO. | PART NUMBER | DESCRIPTION                  |
|-----|-------------|------------------------------|
| 1   | 827615300   | FEED ROCK SHAFT (UNIT)       |
| 2   | 840005003   | FEED DOG                     |
| 3   | 000104005   | SETSCREW 3.5 X 8             |
| 4   | 738055008   | CENTER PIN                   |
| 5   | 000111304   | HEXAGONAL SOCKET SCREW 5 X 5 |
| 6   | 650085002   | SPRING                       |
| 7   | 625508008   | FEED REGULATOR (UNIT)        |
| 8   | 000071013   | WASHER                       |
| 9   | 823111009   | FELT                         |
| 10  | 625144002   | BUSHING (FRONT)              |
| 11  | 650175000   | WASHER                       |
| 12  | 000111201   | HEXAGONAL SOCKET SCREW 4 X 4 |
| 13  | 820387000   | RING                         |
| 14  | 000111304   | HEXAGONAL SOCKET SCREW 5 X 5 |
| 15  | 840603306   | FEED SHAFT (UNIT)            |
| 16  | 827042012   | FEED SHAFT                   |
| 17  | 000160102   | ADJUSTABLE LOCK NUT 4        |
| 18  | 825261002   | FEED ADJUSTING ARM 2         |
| 19  | 589040002   | SPRING                       |
| 20  | 827043105   | FEED ADJUSTING ARM 1         |
| 21  | 810207004   | WASHER                       |
| 22  | 827086100   | FEED ADJUSTING ARM SCREW     |
| 23  | 000115906   | SETSCREW TP 3 X 12           |
| 24  | 650092002   | BUSHING (REAR)               |
| 25  | 827614033   | HOOK RACE (UNIT)             |
| 26  | 820123006   | HOOK RACE SHAFT              |
| 27  | 820124007   | HOOK SHAFT OIL WICK (1)      |
| 28  | 820125008   | HOOK SHAFT OIL WICK (2)      |
| 29  | 000038409   | WASHER                       |
| 30  | 650623008   | HOOK BODY (UNIT)             |
| 31  | 627191000   | HOOK BOTTOM PLATE            |
| 32  | 820374004   | SETSCREW 2 X 2.3             |
| 33  | 627192001   | WASHER                       |
| 34  | 625102008   | WASHER                       |
| 35  | 827040009   | COVER                        |
| 36  | 823106002   | HOOK RECE SET PLATE          |
| 37  | 000107204   | SETSCREW 3 X 12B             |
| 38  | 650094004   | HOOK RACE SHAFT BASE         |
| 39  | 000081005   | SETSCREW 4 X 8               |
| 40  | 000070506   | WASHER                       |
| 41  | 627190010   | MAGNET                       |
| 42  | 000111304   | HEXAGONAL SOCKET SCREW 5 X 5 |
| 43  | 000036407   | WASHER                       |

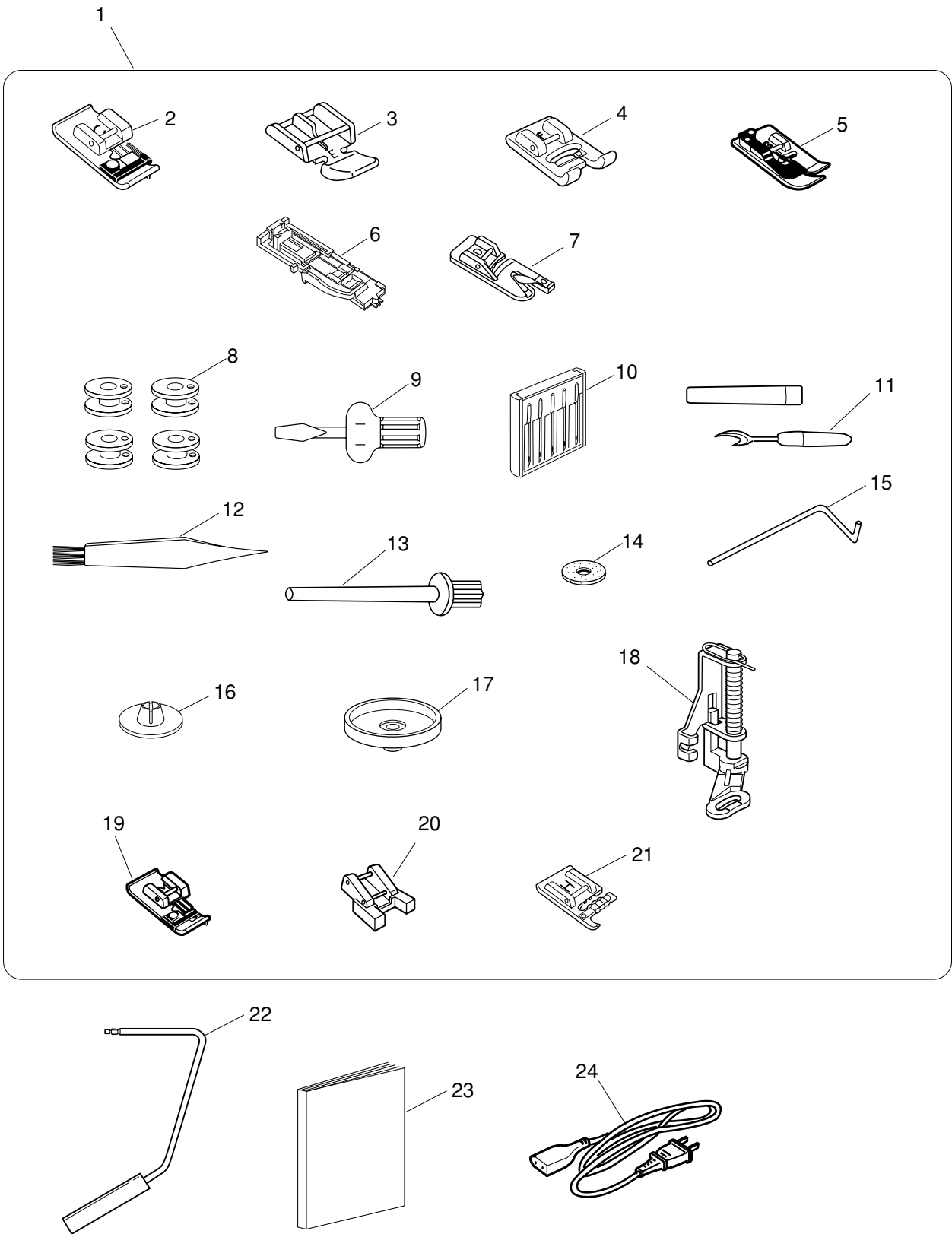
# PART LIST



# PART LIST

| NO. | PART NUMBER | DESCRIPTION                       |
|-----|-------------|-----------------------------------|
| 1   | 844605104   | ZIGZAG MOTOR (UNIT)               |
| 2   | 000081005   | SETSCREW 4 X 8                    |
| 3   | 846502106   | TRANSFORMER (UNIT)(120V)          |
|     | 846512109   | TRANSFORMER (UNIT)(230V)          |
| 4   | 000115205   | SETSCREW TP 4 X 10                |
| 5   | 829020009   | TRANSFORMER SUPPORTER             |
| 6   | 843615207   | MOTOR (UNIT)                      |
| 7   | 000115700   | SETSCREW TP 4 X 10                |
| 8   | 845503300   | MACHINE SOCKET (UNIT) (120V)      |
|     | 845504301   | MACHINE SOCKET (UNIT) (230V)      |
| 9   | 000103509   | SETSCREW 4 X 10                   |
| 10  | 000101817   | SETSCREW 4 X 16                   |
| 11  | 652611009   | IDLER (UNIT)                      |
| 12  | 849056006   | LAMP BASE PLATE SPRING            |
| 13  | 847012004   | BELT COVER                        |
| 14  | 000102900   | SETSCREW 2 X 8                    |
| 15  | 000026002   | WEDGE BASE LAMP 12V 5W            |
| 16  | 000114709   | SETSCREW TP 3 X 6                 |
| 17  | 849616000   | BOBBIN WINDER (UNIT)              |
| 18  | 849505005   | BOBBIN WINDER (UNIT)              |
| 19  | 849046003   | DECLUTCH ARM                      |
| 20  | 000078319   | SETSCREW 3 X 6                    |
| 21  | 823119008   | BOBBIN WINDER ARM SPRING          |
| 22  | 686063005   | SETSCREW                          |
| 23  | 849609000   | BOBBIN WINDER SWITCH (UNIT)       |
| 24  | 849047004   | BOBBIN WINDER SWITCH FIXING PLATE |
| 25  | 660518907   | MICRO SWITCH (UNIT)               |
| 26  | 000102900   | SETSCREW 2 X 8                    |
| 27  | 000101404   | SETSCREW 4 X 6                    |
| 28  | 849613007   | ARM LAMP (UNIT)                   |
| 29  | 849054004   | ARM LAMP SETTING PLATE            |
| 30  | 849055005   | LAMP BASE PLATE                   |
| 31  | 843508103   | LAMP SOCKET (UNIT)                |
| 32  | 000002105   | SNAP RING E-3                     |

# PART LIST



# PART LIST

| NO. | PART NUMBER | DESCRIPTION               |
|-----|-------------|---------------------------|
| 1   | 847870101   | ACCESSORIES (UNIT)        |
| 2   | 822801001   | OVEREDGE FOOT             |
| 3   | 829801002   | ZIPPER FOOT               |
| 4   | 822804118   | SATIN FOOT                |
| 5   | 825817009   | BLIND HEM FOOT            |
| 6   | 753801004   | AUTOMATIC BUTTONHOLE FOOT |
| 7   | 820809014   | HEMMER FOOT               |
| 8   | 102261000   | BOBBIN                    |
| 9   | 820832005   | SCREWDRIVER               |
| 10  | 820827007   | ASSORTED NEEDLE SET       |
| 11  | 647808009   | SEAM RIPPER               |
| 12  | 802424004   | BRUSH                     |
| 13  | 625031500   | SPOOL PIN                 |
| 14  | 102403109   | FELT                      |
| 15  | 802422002   | QUILTER                   |
| 16  | 822019509   | SPOOL HOLDER (SMALL)      |
| 17  | 829803004   | SPOOL STAND               |
| 18  | 822820006   | BASTING FOOT              |
| 19  | 822808008   | OVERCAST FOOT             |
| 20  | 802406011   | BUTTONHOLE FOOT           |
| 21  | 820819006   | CORDING FOOT (UNIT)       |
| 22  | 846811008   | KNEE LIFTER LEVER (UNIT)  |
| 23  | 847800007   | INSTRUCTION BOOK          |
| 24  | 653524007   | POWER SUPPLY CORD (JAI)   |
|     | 830314018   | POWER SUPPLY CORD (JA)    |
|     | 830377008   | POWER SUPPLY CORD (JUK)   |
|     | 830335004   | POWER SUPPLY CORD (JNBV)  |