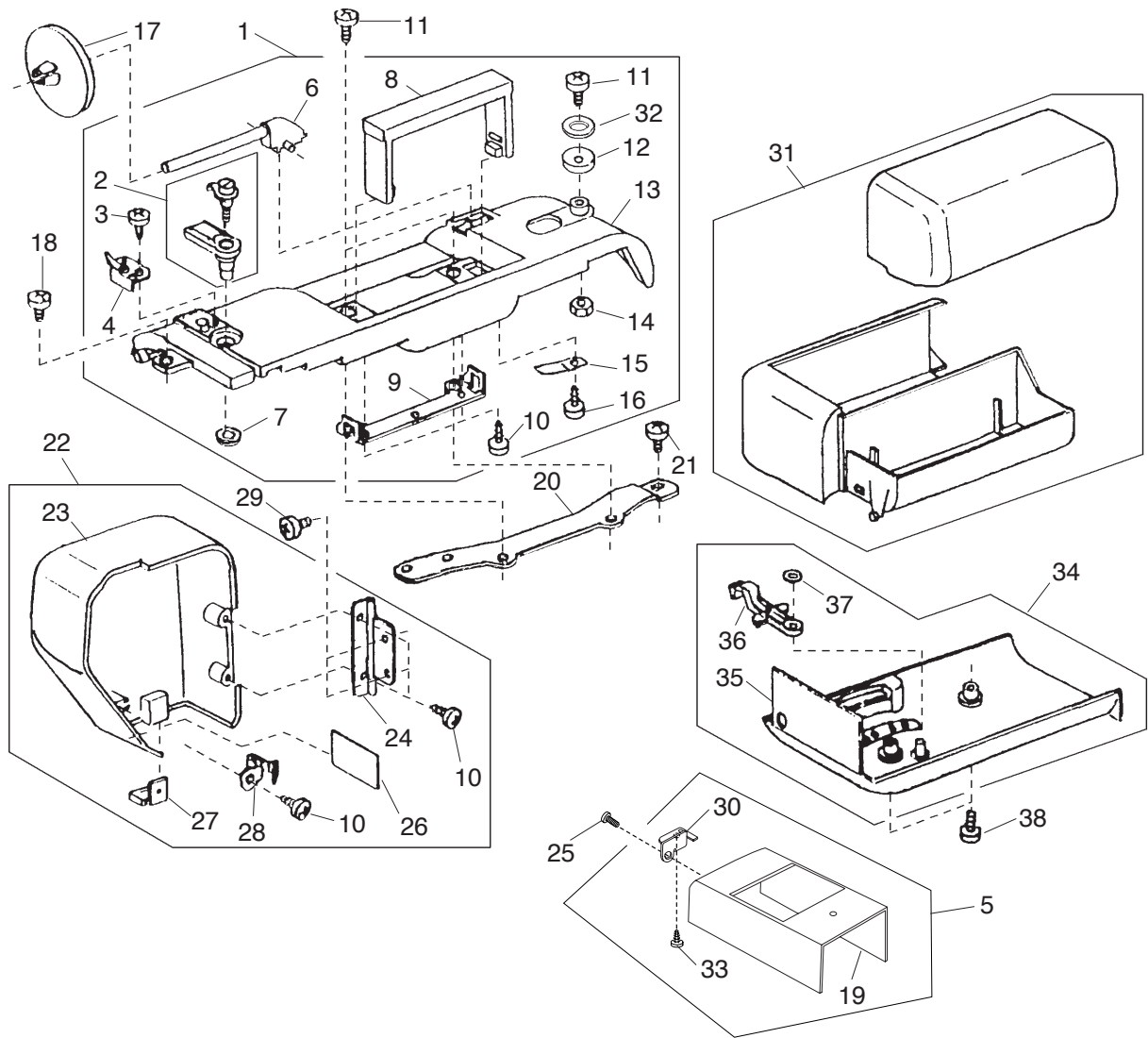


PARTS LIST

MODEL DC4100

JANOME

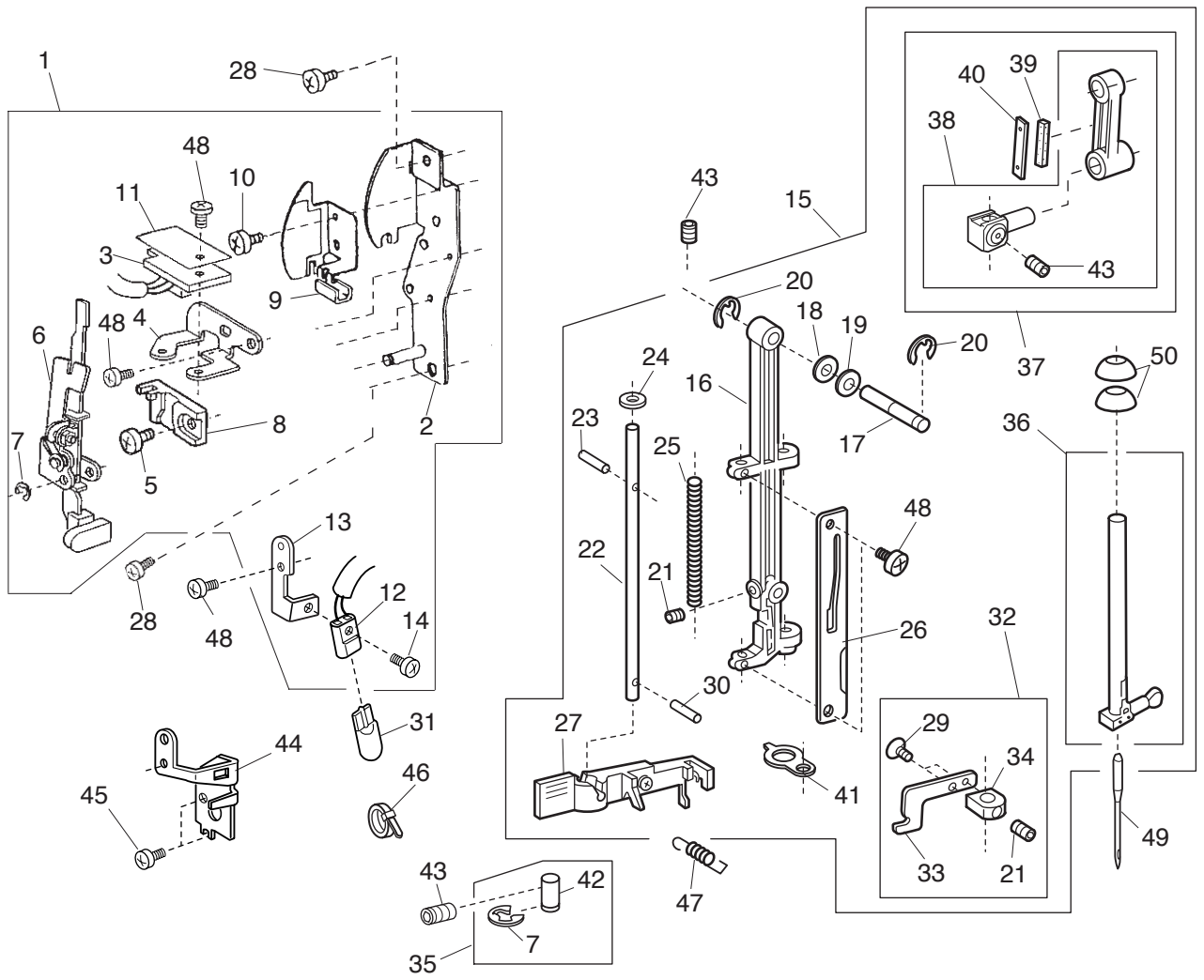
PARTS LIST



PARTS LIST

KEY NO.	PARTS NO.	DESCRIPTION
1	828603308	Top cover unit
2	650503702	Thread guide unit
3	000162001	Setscrew 2.6x5
4	827503005	Top cover thread guide
5	659601007	Free arm cover unit
6	505067005	Spool pin
7	000014409	Snap ring CS-8
8	827014004	Handle
9	827015005	Set plate
10	000161206	Tapping screw 3x10B
11	000103107	Setscrew 4x14
12	735016307	Bobbin winder stopper
13	828008031	Top cover
14	000061205	Nut 4-3
15	822018003	Spool pin spring
16	000107318	Tapping screw 3x8B
17	822020503	Spool holder
18	810220003	Setscrew
19	659001001	Free arm cover
20	827016110	Top cover set plate
21	000081005	Setscrew 4x8
22	842602242	Face plate unit
23	842002800	Face plate
24	366501102	Face plate hinge
25	000101404	Setscrew 4x6
26	827099003	Face plate sticker
27	840602006	Thread cutter unit
28	731067002	Face plate spring
29	000077503	Setscrew 4x6
30	756004008	Free arm cover set plate
31	842601104	Extension table unit
32	000071013	Washer
33	000120203	Tapping screw 3X8B
34	827602108	Bed cover unit
35	827004104	Bed cover
36	753005000	Drop lever
37	000013903	Snap ring CS-5
38	000101703	Setscrew 4x12

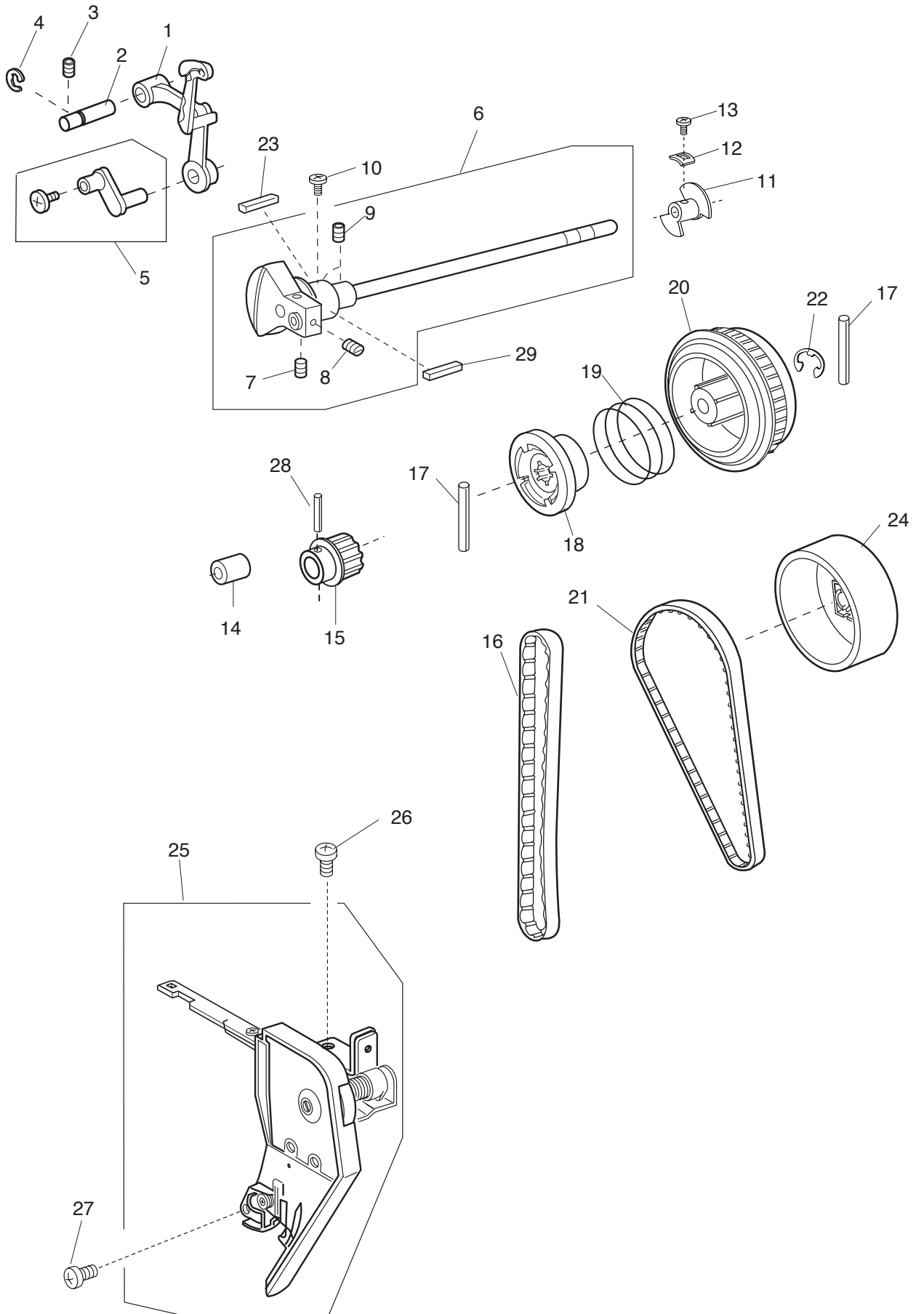
PARTS LIST



PARTS LIST

KEY NO.	PARTS NO.	DESCRIPTION
1	843623208	Front set plate unit
2	827028012	Front set plate
3	843502004	Circuit board E1 unit
4	843009006	Sensor set plate
5	000103808	Setscrew 3x5
6	843625004	BH lever unit
7	000002105	Snap ring E-3
8	830057010	BH lever guide
9	827029013	Cord guide plate
10	652203004	Setscrew 3x3.5
11	845029008	Insulation paper
12	843508000	Lamp socket unit
13	843055007	Lamp set plate (2)
14	000115308	TP setscrew 2x8
15	843642100	Needle bar supporter unit
16	827026009	Needle bar supporter
17	730022002	Needle bar supporter pin
18	673022002	Spring washer
19	000070609	Plain washer 6
20	000002507	Snap ring E-4
21	000111902	Hexagonal socket screw 3x4
22	840036003	Threader shaft
23	000122906	Guide pin
24	734107004	Washer
25	827091005	Threader shaft spring
26	653036029	Threader guide plate
27	639643009	Threader plate (unit)
28	000081005	Setscrew 4x8
29	000097602	Setscrew 2x4
30	000003508	Spring pin
31	000026002	Wedge base lamp 12V 5W
32	734625003	Threader set plate unit
33	734101008	Threader set plate
34	734102009	Threader base plate
35	842625001	Supporter guide unit
36	653503309	Needle bar unit
37	653612003	Needle bar conn. stud unit
38	653504001	Needle bar conn. stud unit
39	650040005	Felt
40	650041006	Felt set spring
41	829027006	Supporter guide plate
42	827083004	Pin
43	000111201	Hexagonal socket screw 4x4
44	843038004	Lamp set plate (1)
45	000101507	Setscrew 3.5x5
46	000053008	Cord binder
47	756063005	Supporter spring
48	000101105	Setscrew 3x4
49	102408089	Needle HA1-14
50	827098002	Washer

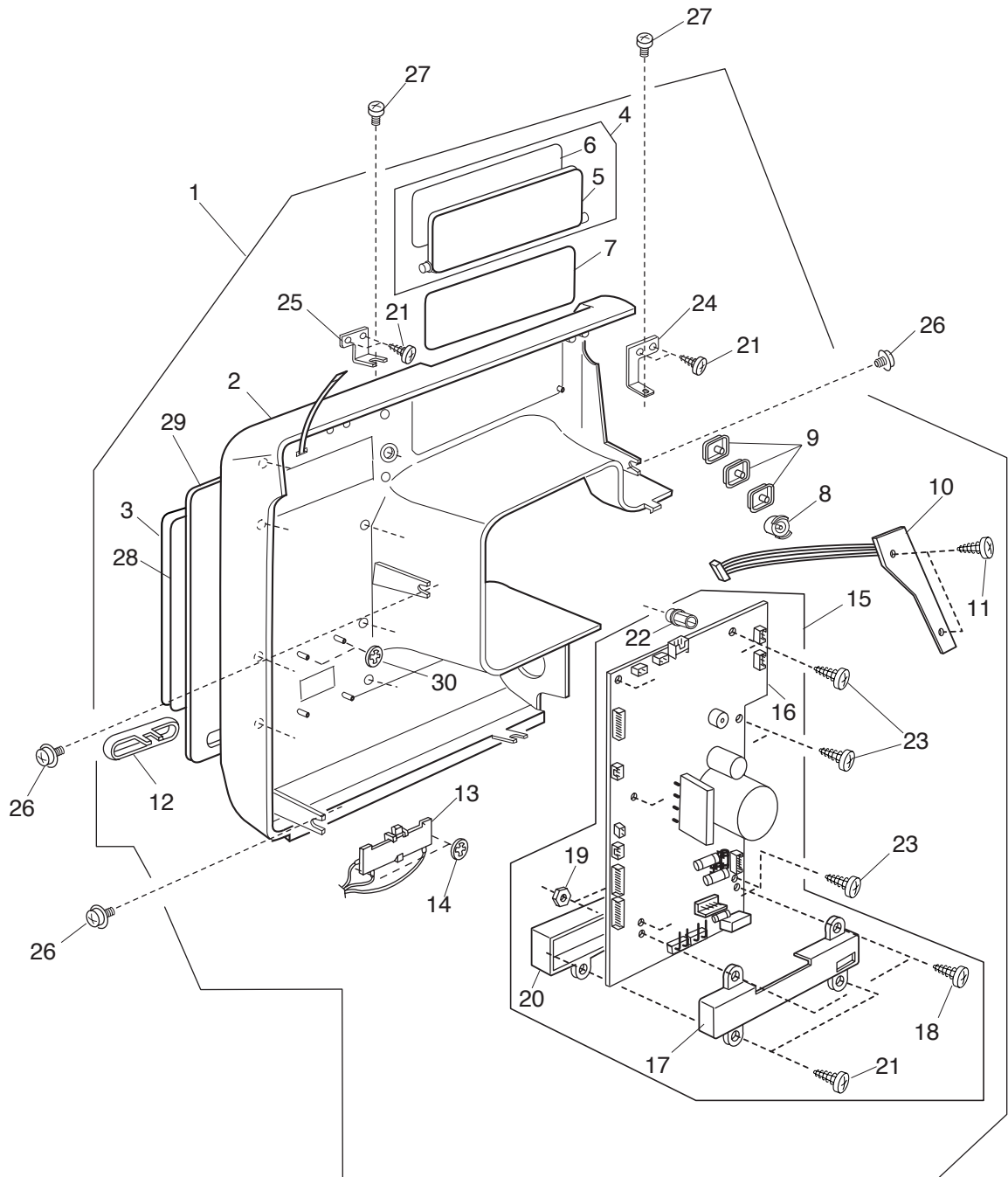
PARTS LIST



PARTS LIST

KEY NO.	PARTS NO.	DESCRIPTION
1	820511108	Take up lever unit
2	650062003	Take up lever pin
3	000111201	Hexagonal socket screw 4X4
4	000002806	Snap ring E-6
5	652512009	Needle bar crank pin unit
6	843643101	Upper shaft unit
7	000111706	Setscrew
8	000110901	Setscrew
9	000111304	Hexagonal socket screw 5X5
10	000172602	Setscrew 5x8
11	830095010	Upper shaft shield plate
12	820102009	Plate washer
13	000081005	Setscrew 4X8
14	673062004	Bushing
15	756017004	Adjusting wheel
16	650071005	Timing belt
17	000024206	Snap ring 3x30
18	502064003	Clutch ring
19	502065004	Clutch spring
20	844050016	Belt wheel
21	653139012	Timing belt
22	000030205	Snap ring E-8
23	731384008	Felt
24	844077008	Handwheel
25	842511003	Thread tension unit
26	000101404	Setscrew 4X6
27	000101703	Setscrew 4X12
28	000020501	Spring pin 3x22

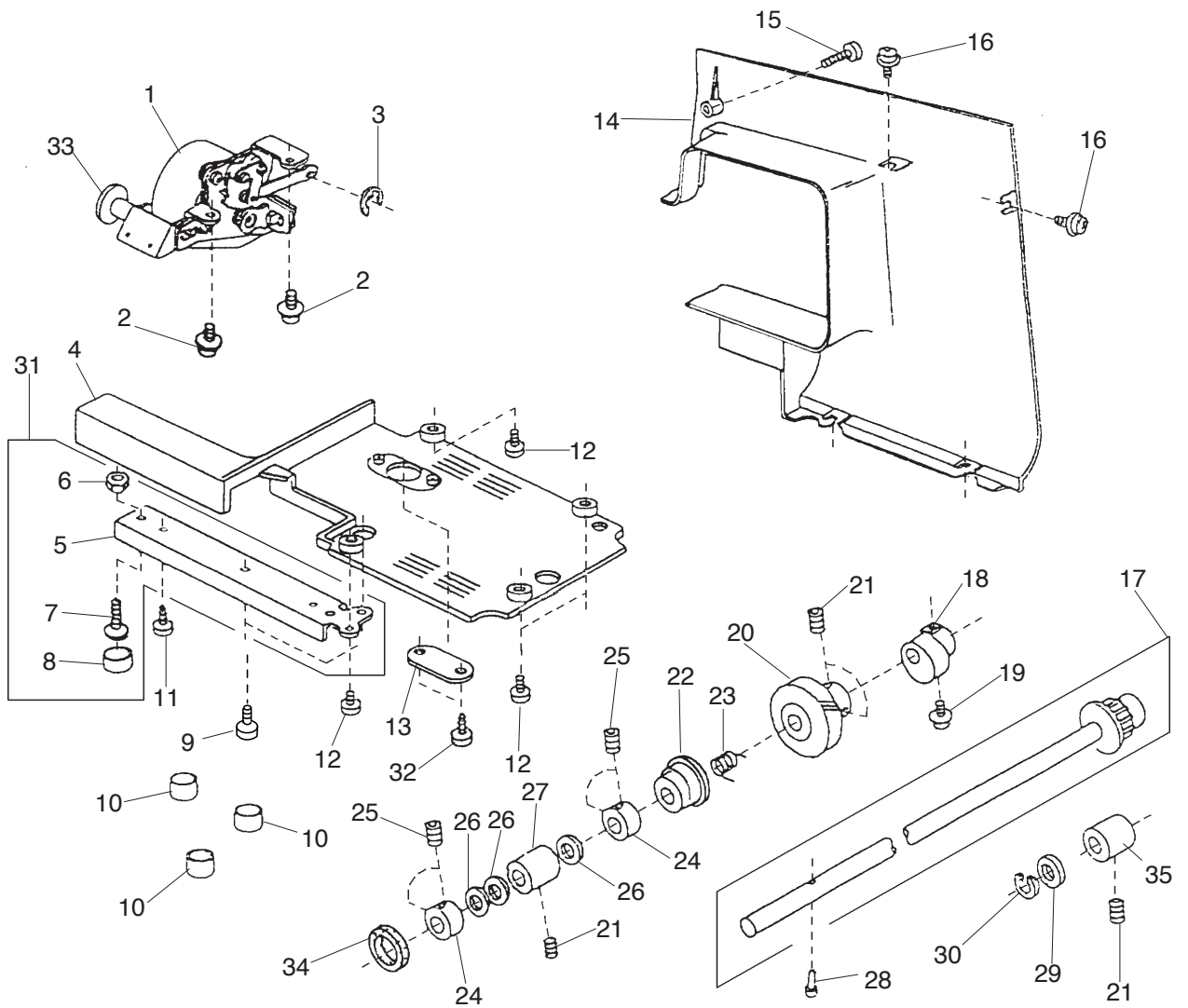
PARTS LIST



PARTS LIST

KEY NO.	PARTS NO.	DESCRIPTION
1	842630401	Front cover unit
2	842047346	Front cover
3	842510002	Touch panel unit
4	842606800	Chart board panel unit
5	842007001	Chart board
6	842810108	Chart board (1)
7	842814009	Chart board (2)
8	842048233	Button
9	842049005	Button
10	842512004	Print board F unit
11	000161103	Setscrew 3x6B
12	842060002	Slide lever
13	653507196	Slide volume (unit)
14	000014306	Snap ring CS-3
15	842631206	Printed circuit board A unit
16	842515306	Printed circuit board A unit
17	843021107	Printed circuit board A case (1)
18	000066705	Setscrew 3x8
19	000060857	Nut
20	843020106	Printed circuit board A case (2)
21	000120203	Setscrew 3x8B
22	842071006	Screen brightness adjusting dial
23	000161206	Setscrew 3x10B
24	842014001	Front cover set plate
25	841019003	Front cover set plate
26	000115607	TP setscrew 4x8
27	000101404	Setscrew 4x6
28	842101006	Touch panel seat
29	842067113	Operation panel
30	000014007	Snap ring CS-4

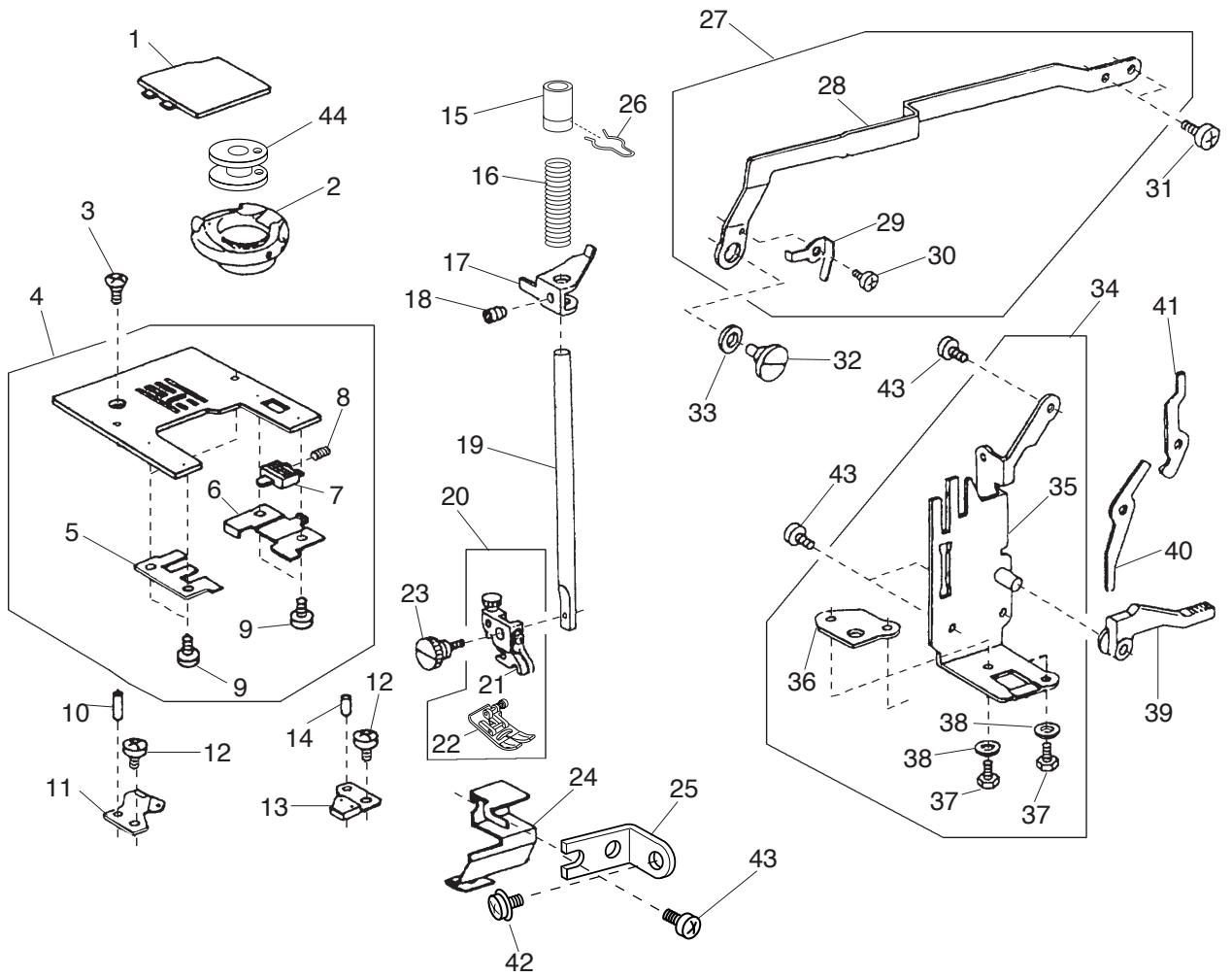
PARTS LIST



PARTS LIST

KEY NO.	PARTS NO.	DESCRIPTION
1	843606205	Stepping motor (feed) unit
2	000115205	Setscrew 4X6
3	000002105	Snap ring E-3
4	827003000	Base
5	827002102	Arm leg
6	000061412	Nut
7	000097901	Setscrew 5X18
8	735002001	Rubber base
9	000066808	Setscrew 6X14
10	647009002	Bed rubber base
11	000161206	Setscrew 3X10
12	000103509	Setscrew 4X10
13	824058001	Base cover
14	842001407	Rear cover
15	000104119	Setscrew 4X20
16	000115205	Setscrew 4x6
17	751612206	Lower shaft unit
18	751148000	Feed cam
19	000115009	Setscrew 3X8
20	650955002	Lower shaft toothed wheel
21	000111304	Hexagonal socket screw 5X5
22	753183025	Feed lifting cam
23	686035008	Feed lifting cam spring
24	820166001	Ring
25	000111201	Hexagonal socket screw
26	000038502	Washer
27	650078002	Bushing
28	820161006	Pin
29	822070003	Felt
30	822112008	Felt holder 1
31	827601107	Arm leg unit
32	000107318	Tapping screw 3X8B
33	844088002	S control dial
34	735143005	Felt
35	650079003	Bushing

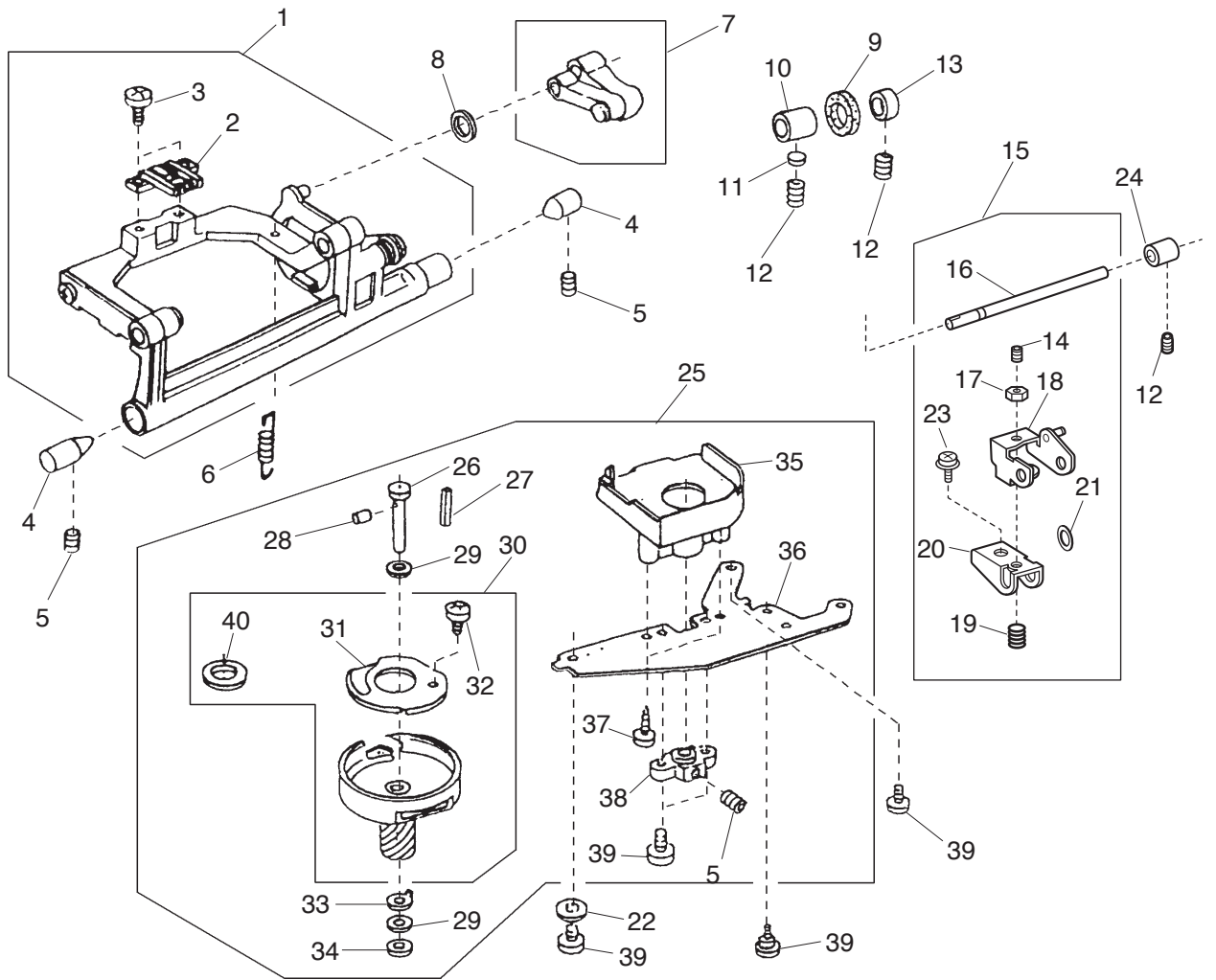
PARTS LIST



PARTS LIST

KEY NO.	PARTS NO.	DESCRIPTION
1	750036012	Slide plate
2	627569209	Bobbin holder unit
3	681009101	Plain head screw
4	756604107	Needle plate unit
5	752005007	Slide plate set plate
6	825015010	Slide plate set plate
7	825016000	Slide block
8	825017001	Slide block spring
9	820374004	Setscrew 2x2.3
10	000122504	Guide pin
11	827011001	Reverse rotation stopper
12	810220003	Setscrew
13	627567001	Rotation stopper unit
14	000122700	Guide pin
15	802021007	Presser bar bushing
16	730026006	Presser spring
17	735028003	Presser bar bracket
18	000111500	Hexagonal socket screw
19	827021004	Presser bar
20	829515006	Presser foot unit
21	804509000	Presser foot holder unit
22	832523007	Zigzag foot unit
23	647112009	Thumb screw
24	827036002	Arm thread guide
25	827037003	Front panel set plate
26	802022008	Spring
27	827622012	ZZ rod unit
28	827055018	ZZ rod
29	827088009	ZZ rod spring
30	820373003	Setscrew 2x3
31	000078319	Setscrew 3x6
32	678084007	Eccentric pin
33	653037008	Washer
34	827608012	Presser bar base unit
35	827020014	Presser bar base
36	827082003	Presser bar set plate
37	000066303	Hexagonal bolt 4x6
38	000070908	Washer 4
39	735029004	Presser foot lever
40	827022005	Tension release lever
41	827023006	Tension release lever
42	000115205	Setscrew 4x6
43	000081005	Setscrew 4x8
44	102261103	Bobbin

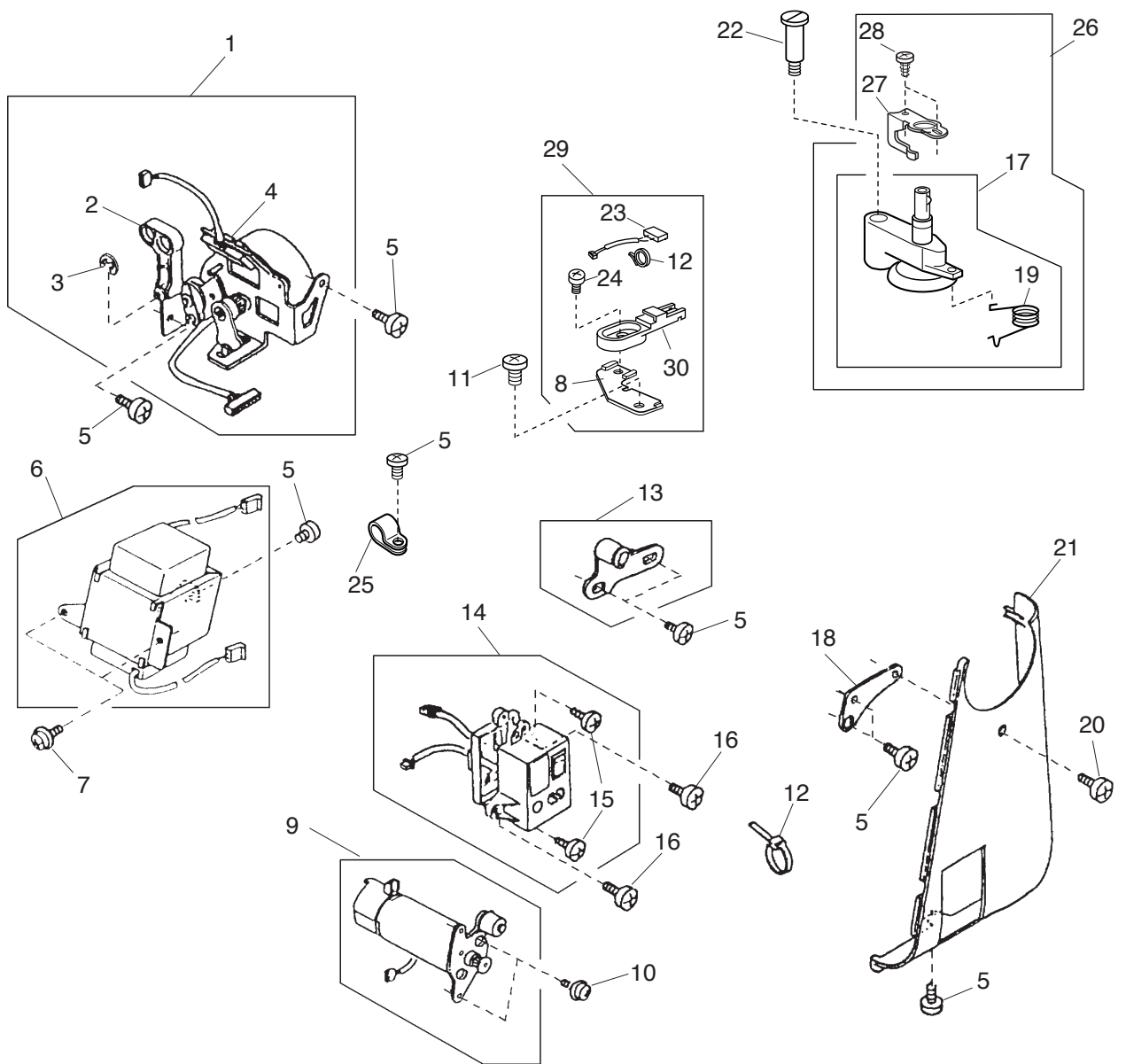
PARTS LIST



PARTS LIST

KEY NO.	PARTS NO.	DESCRIPTION
1	834527100	Feed rock shaft unit
2	840005003	Feed dog
3	000104005	Setscrew
4	738055008	Center screw
5	000111304	Hexagonal socket screw 5x5
6	650085002	Spring
7	650612004	Feed adjuster unit
8	000036603	Washer
9	823110009	Felt
10	625144002	Bushing
11	650175000	Washer
12	000111201	Hexagonal socket screw 4X4
13	820387000	Ring
14	000176307	Hexagonal socket screw 4X8
15	842640002	Feed shaft unit
16	840006004	Feed shaft
17	000160102	Adjustable nut 4
18	842098009	Feed adjusting arm 2
19	589040002	Spring
20	842097008	Feed adjusting arm 1
21	810207004	Spring washer
22	000070506	Washer
23	000115906	TP setscrew 3x12
24	650092002	Bushing
25	827614033	Hook race unit
26	820123006	Hook race shaft
27	820124007	Oil string 1
28	820125008	Oil string 2
29	000038409	Washer
30	650623008	Hook body unit
31	627191000	Thread guard
32	820374004	Setscrew 2X2.3
33	627192001	Washer
34	625102008	Washer
35	827040009	Cover
36	823106002	Hook race set plate
37	000107204	Setscrew 3X12B
38	650094004	Hook race shaft base
39	000081005	Setscrew 4X8
40	627190010	Magnet

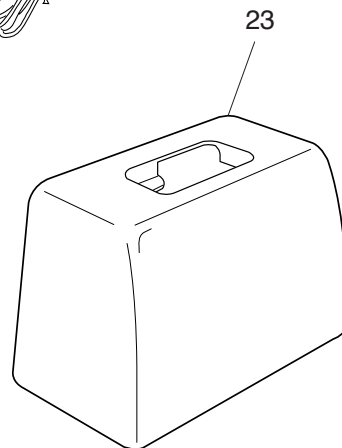
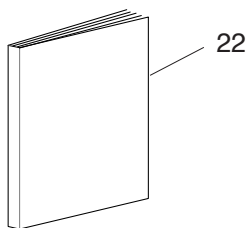
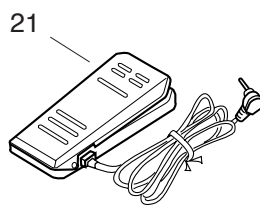
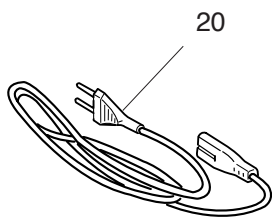
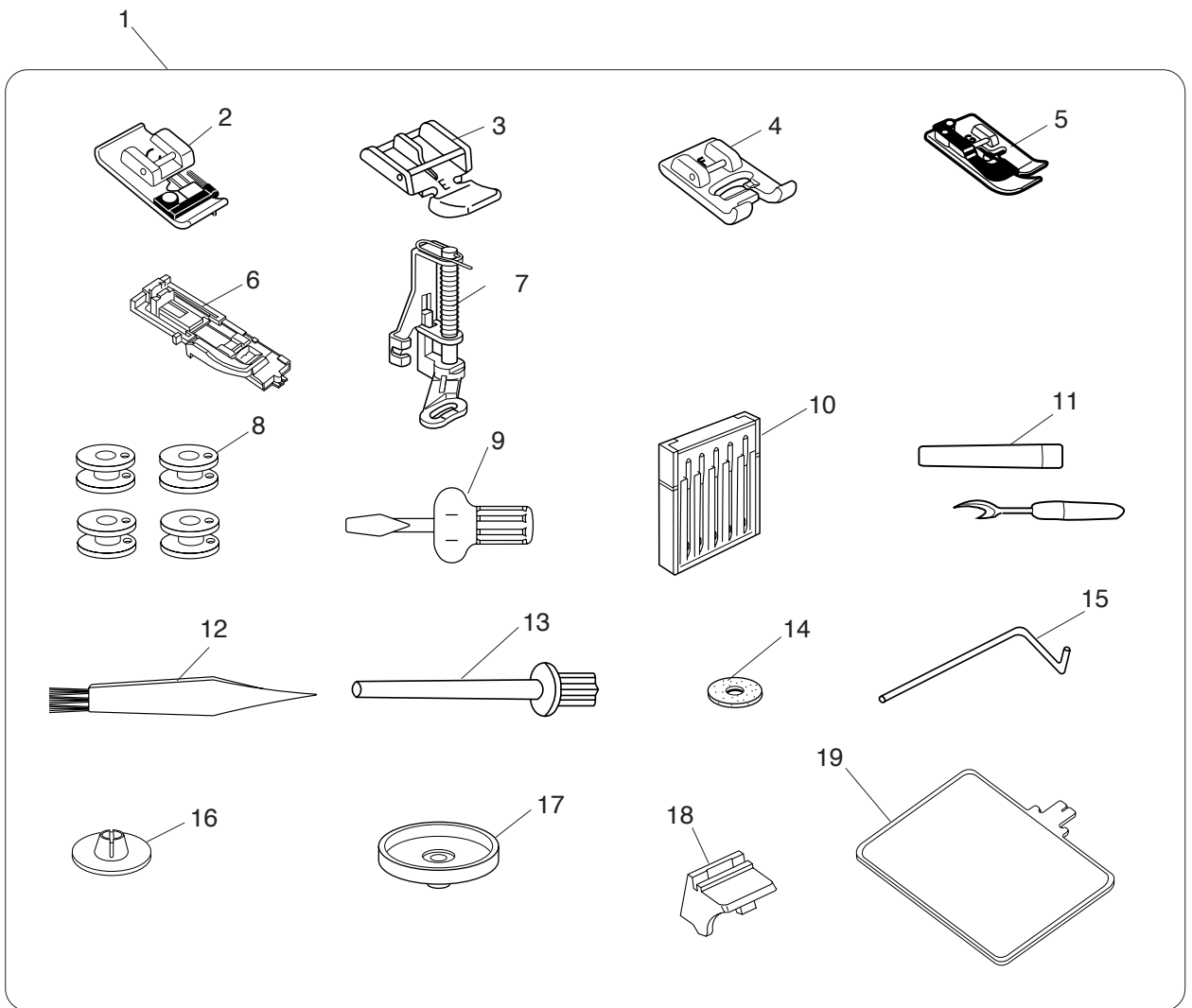
PARTS LIST



PARTS LIST

KEY NO.	PARTS NO.	DESCRIPTION
1	843608104	Stepping motor (Zigzag) unit
2	827054006	Connecting arm
3	000002105	Snap ring E-3
4	843505007	Print borad P unit
5	000081005	Setscrew 4X8
6	843516300	Transformer unit (230V)
7	000115205	Setscrew 4X6
8	842066008	Switch set plate
9	843615300	Motor unit
10	000115700	Setscrew TP
11	000101404	Setscrew 4x6
12	000053008	Cord binding
13	652611009	Idler unit
14	841515004	Machine socket unit
15	000121204	Tapping screw 4X8B
16	000103509	Setscrew 4X10
17	827506008	Bobbin winder unit
18	827085017	Belt cover set plate
19	823119008	Spring
20	000104119	Setscrew 4X20
21	828064002	Belt cover
22	652093009	Hinge screw
23	753507203	Buttonhole select switch
24	000103808	Setscrew 3x5
25	000188209	Nylon clop
26	844628033	Bobbin winder unit
27	844075039	Clutch releasing arm
28	000120203	Setscrew 3x8B
29	842629005	Switch set plate unit
30	827100028	Switch set plate

PARTS LIST



PARTS LIST

KEY NO.	PART NO.	DESCRIPTION
1	842870047	Accessory set
2	822801001	Overedge foot
3	829801002	Zipper foot
4	822804118	Satin stitch foot
5	825817009	Blind hem stitch foot
6	753801004	Automatic BH foot
7	822820006	Basting foot
8	102261103	Plastic bobbins
9	820832005	Large screw driver
10	540401026	Needle set
11	647808009	Buttonhole opener
12	802424004	Lint brush
13	625031500	Additional spool pin
14	102403109	Spool pin felt
15	802422002	Quilter
16	822019509	Spool holder (small)
17	829803004	Spool stand
18	842808000	Quick reference chart base
19	842809506	Quick reference chart
20	830335004	Power supply cord (Continental Europe)
	830314018	Power supply cord (Australia)
	830377008	Power supply cord (UK)
21	33570318	Foot controller
22	842800220	Instruction book (Dutch, French, German)
	842800264	Instruction book (Italian)
	842800264	Instruction book (Norwegian, Swedish, Danish)
	842800183	Instruction book (English)
	842800253	Instruction book (Finnish)
23	479701093	Hard resin cover