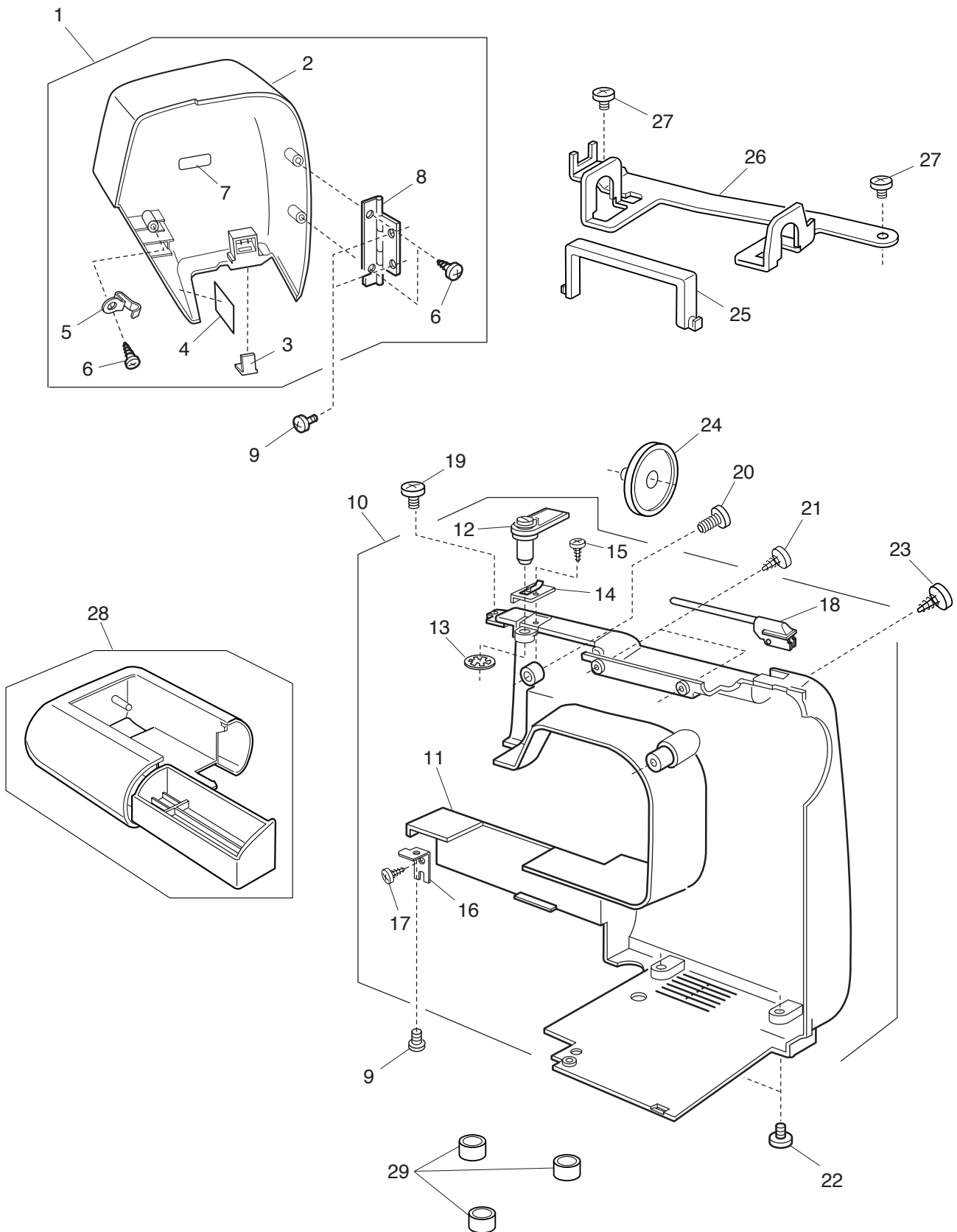


PARTS LIST

Model:DC4030

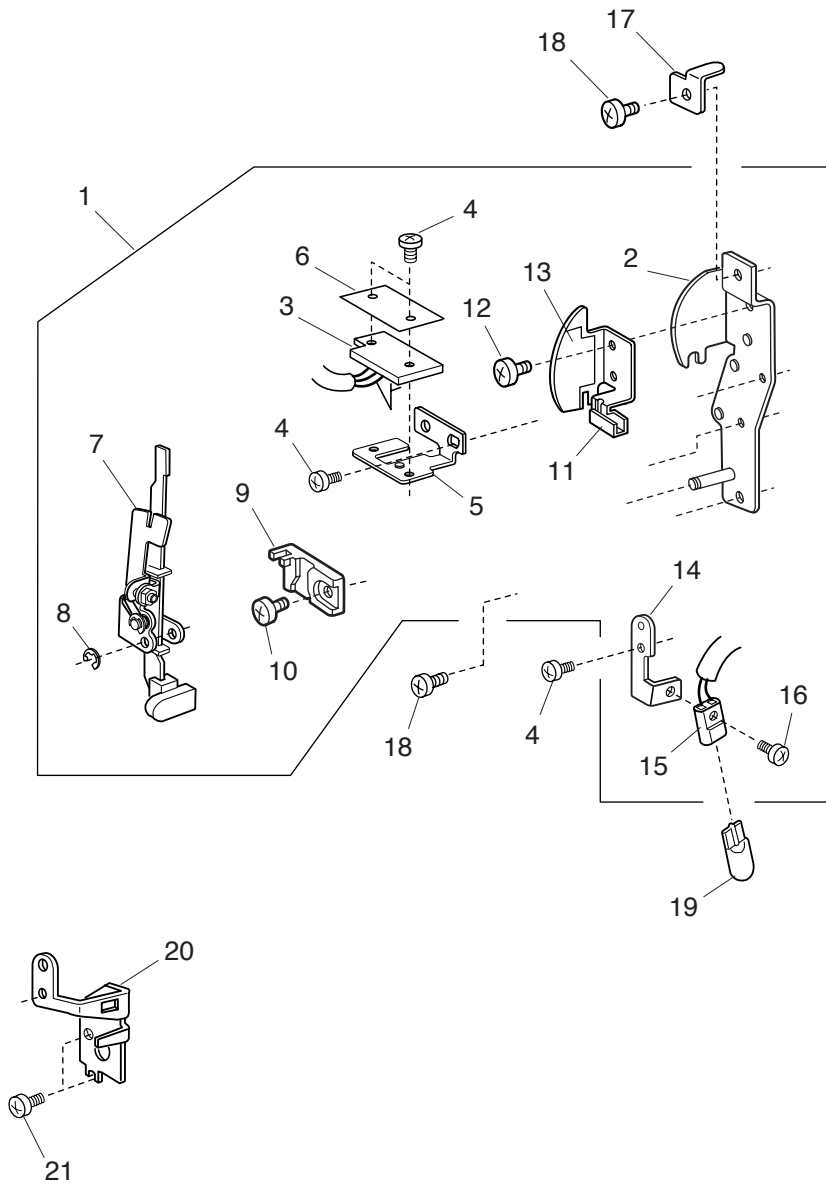
PARTS LIST



PARTS LIST

KEY NO.	PARTS NO.	DESCRIPTION
1	843640304	Face cover (unit)
2	843095102	Face cover
3	840602006	Thread cutter (unit)
4	724025006	Face plate sticker
5	731067002	Face plate spring
6	000161206	Setscrew 3x10 (B)
7	100411207	Lump sticker
8	366501102	Face cover hinge (unit)
9	000081119	Setscrew 4x6
10	843632602	Rear cover (unit)
11	843077603	Rear cover
12	650503506	Tread guide (unit)
13	000014409	Snap ring CS-8
14	827503005	Top cover thread guide (unit)
15	000162001	Setscrew 2.6x5 (B)
16	827006003	Rear cover set plate
17	000120203	Setscrew 3x8 (B)
18	659067005	Spool pin
19	810220003	Setscrew
20	000104119	Setscrew 4x20
21	000161309	Setscrew 3x12 (B)
22	000103509	Setscrew 4x10
23	000119601	Setscrew 4x25 (B)
24	822020503	Spool holder (large)
25	751100000	Handle
26	843005002	Handle set plate
27	000081005	Setscrew 4x8
28	843501106	Extension table (unit)
29	647009002	Bed rubber base

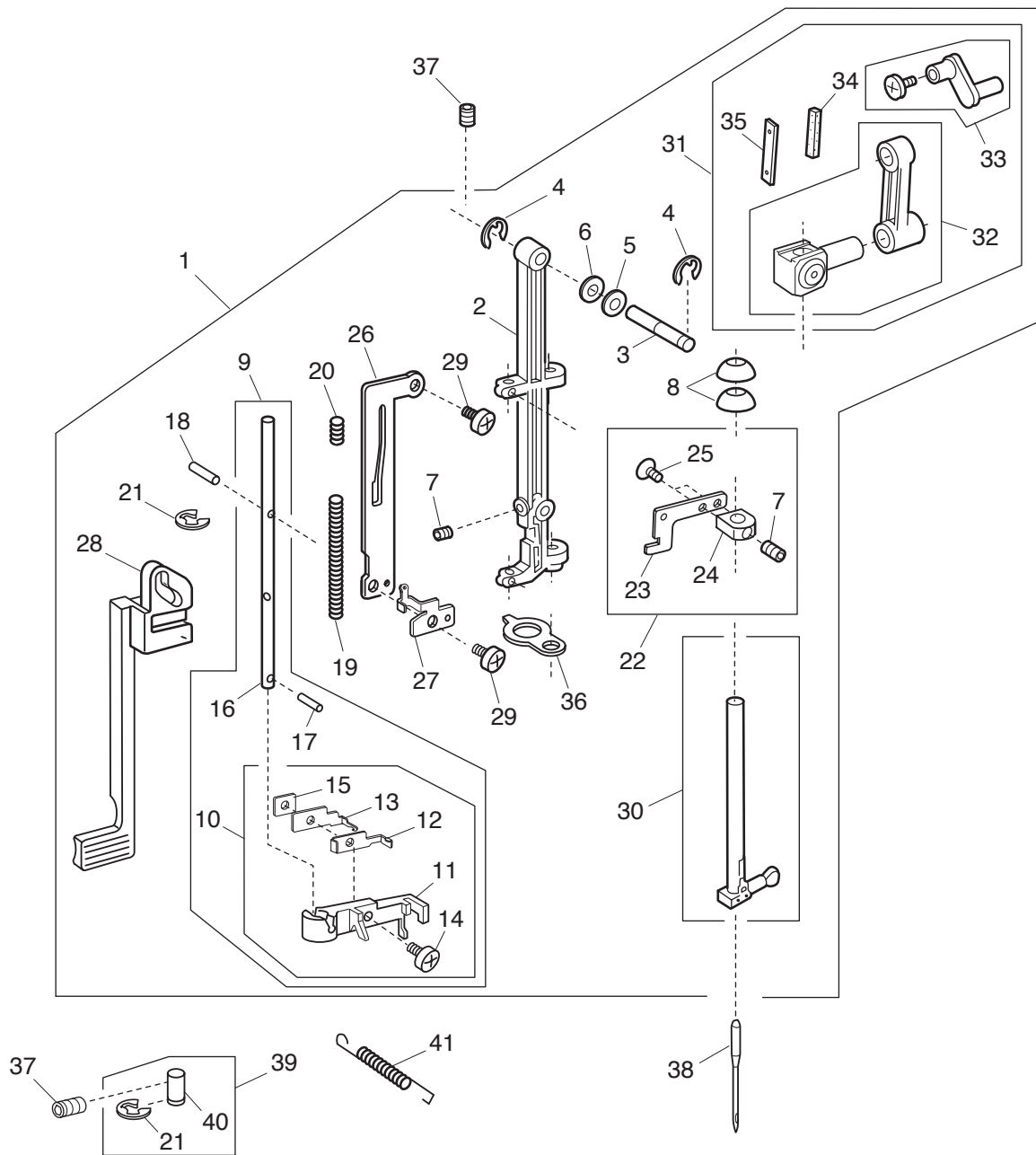
PARTS LIST



PARTS LIST

KEY NO.	PARTS NO.	DESCRIPTION
1	843623507	Front base plate (unit)
2	844096003	Front base plate
3	843502004	Printed circuit board E-1 (unit)
4	000101105	Setscrew 3x4
5	844040013	BH sensor set plate
6	845029008	Insulation paper
7	843625004	BH lever (unit)
8	000002105	Snap ring E-3
9	830057010	BH lever guide
10	000103808	Setscrew 3x5
11	827029013	Cord guide plate
12	652203004	Setscrew 3x3.5
13	829016002	Sticker
14	843055007	Lamp set plate (2)
15	843508206	Lump socket (uint)
16	000115308	TP setscrew 2x8
17	827106004	Set plate
18	000081005	Setscrew 4x8
19	000026002	Wedge base lamp 12V 5W
20	843038004	Lump set plate (1)
21	000101507	Setscrew 3.5x5

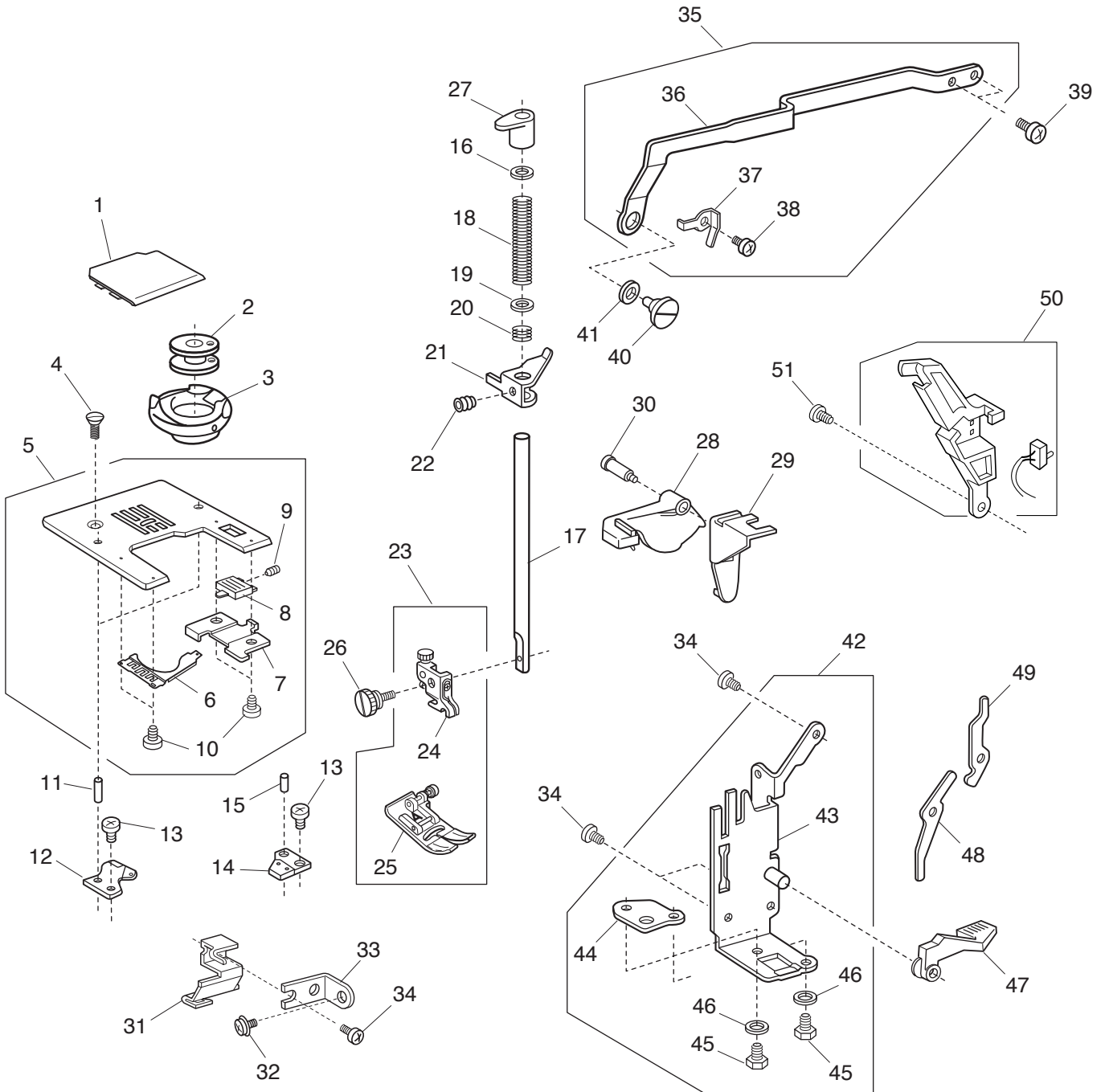
PARTS LIST



PARTS LIST

KEY NO.	PARTS NO.	DESCRIPTION
1	842636108	Needle bar supporter (unit)
2	827026010	Needle bar supporter
3	730022002	Needle bar supporter pin
4	000002507	Snap ring E-4
5	000070609	Washer
6	673022002	Spring washer
7	000111902	Hexagonal socket screw 3x4
8	827098002	Washer
9	842637006	Threader shaft (unit)
10	842638007	Threader plate (unit)
11	755064106	Threader guard plate
12	842088006	Thread retension plate
13	844095002	Threader plate
14	755096004	Setscrew
15	755095003	Nut
16	840036025	Threader shaft
17	000003508	Spring pin 2x8
18	000125105	Guide pin E-2x16-CH
19	842090001	Threader shaft spring
20	842096007	Threader lever spring
21	000002105	Snap ring E-3
22	842622008	Threader positioning setting plate (unit)
23	842053002	Threader positioning setting plate
24	734102009	Threader positioning setting block
25	000097602	Setscrew 2x4
26	842091002	Threader guide plate
27	844036027	Threader lever plate
28	842092003	Threader lever
29	000078319	Setscrew 3x6
30	653503103	Needle bar (unit)
31	843652000	Needle bar connecting stud (unit)
32	639516002	Needle bar connecting stud (unit)
33	843543007	Needle bar crank (unit)
34	650040005	Felt
35	650041006	Spring
36	829027006	Supporter guide plate
37	000111201	Hexagonal socket screw 4x4
38	102408089	Needle HA-14
39	842625001	Supporter guide pin (unit)
40	827083004	Pin
41	844038018	Supporter spring

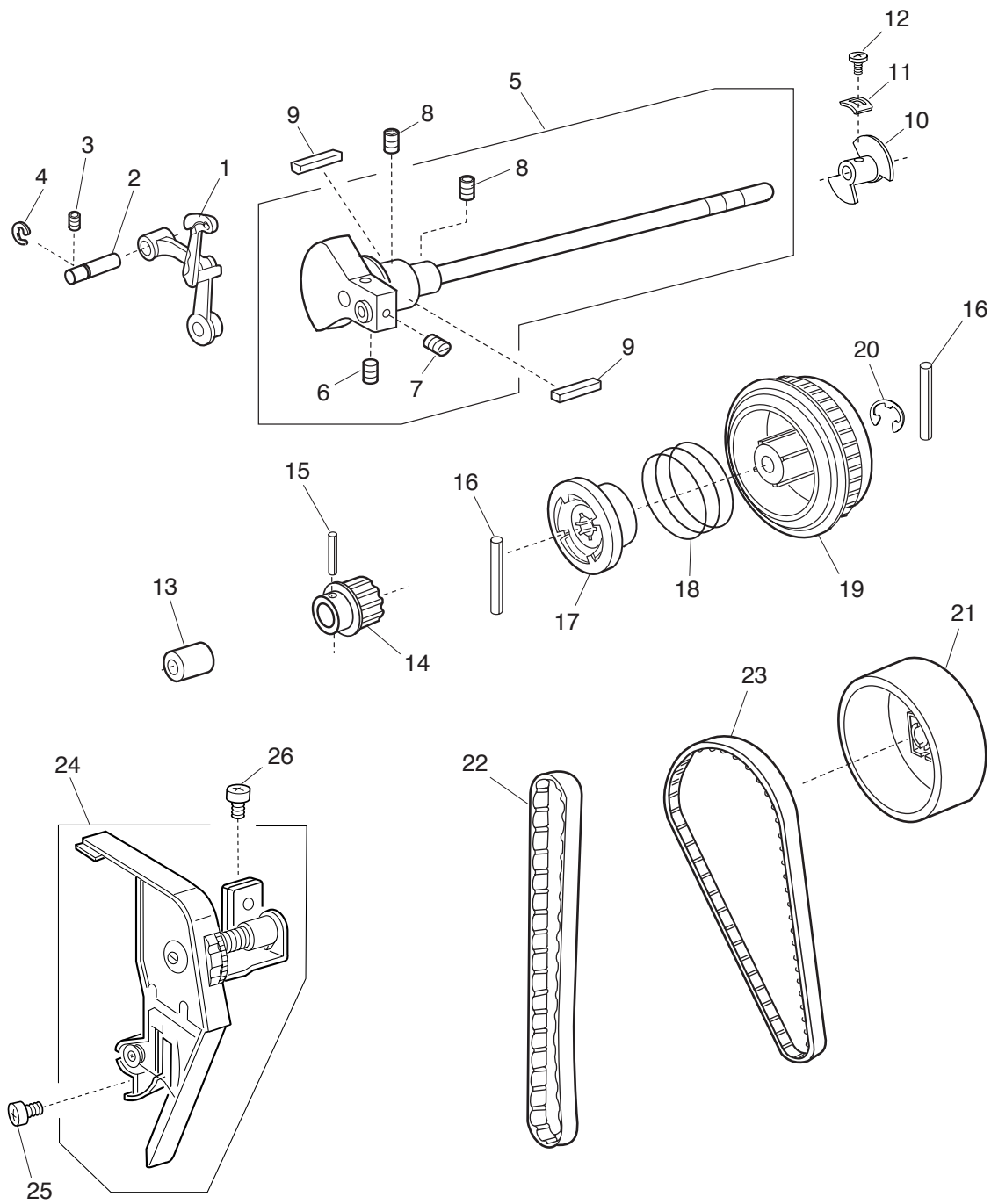
PARTS LIST



PARTS LIST

KEY NO.	PARTS NO.	DESCRIPTION
1	750036012	Hook cover plate
2	102261000	Bobbin
3	627569209	Bobbin holder (unit)
4	681009101	Needle plate setscrew
5	756604303	Needle plate (unit)
6	832235010	Hook cover plate holder (Left)
7	825015010	Hook cover plate holder (right)
8	825016000	Hook cover plate holder release button
9	825017001	Hook cover plate holder spring
10	820374004	Setscrew 2x2.3
11	000122504	Pin D3x10CH
12	827011001	Reverse rotation stopper
13	810220003	Setscrew
14	627567001	Rotation stopper (unit)
15	000122700	Pin D2.5x6-LC
16	652201002	Washer
17	507086006	Presser bar
18	826006000	Presser spring
19	826055004	Washer
20	826056005	Spring
21	735028003	Presser bar bracket
22	000111500	Hexagonal socket screw 4x8
23	829515006	Presser foot unit
24	804509000	Presser foot holder (unit)
25	832523007	Zigzag foot (unit)
26	647112009	Thumb screw
27	652104004	Presser bar bushing
28	829013009	Presser adjusting lever
29	829014000	Presser adjusting plate
30	820090003	Hinge screw
31	827036002	Arm thread guide
32	000115205	TP setscrew 4x6
33	827037003	Front panel set plate
34	000081005	Setscrew 4x8
35	827622012	Zigzag rod (unit)
36	827055018	Zigzag rod
37	827088009	Zigzag rod spring
38	820373003	Setscrew 2x3
39	000078319	Setscrew 3x6
40	678084007	Eccentric pin
41	653037008	Washer
42	827608207	Presser base plate (unit)
43	827020036	Presser base plate
44	827082003	Foot regulating plate
45	000066303	Hexagonal bolt 4x6
46	000070908	Washer 4
47	735029004	Presser foot lifter
48	827022005	Tension release lever (1)
49	827023006	Tension release lever (2)
50	840623302	Switch base (unit)
51	000103808	Setscrew 3x5

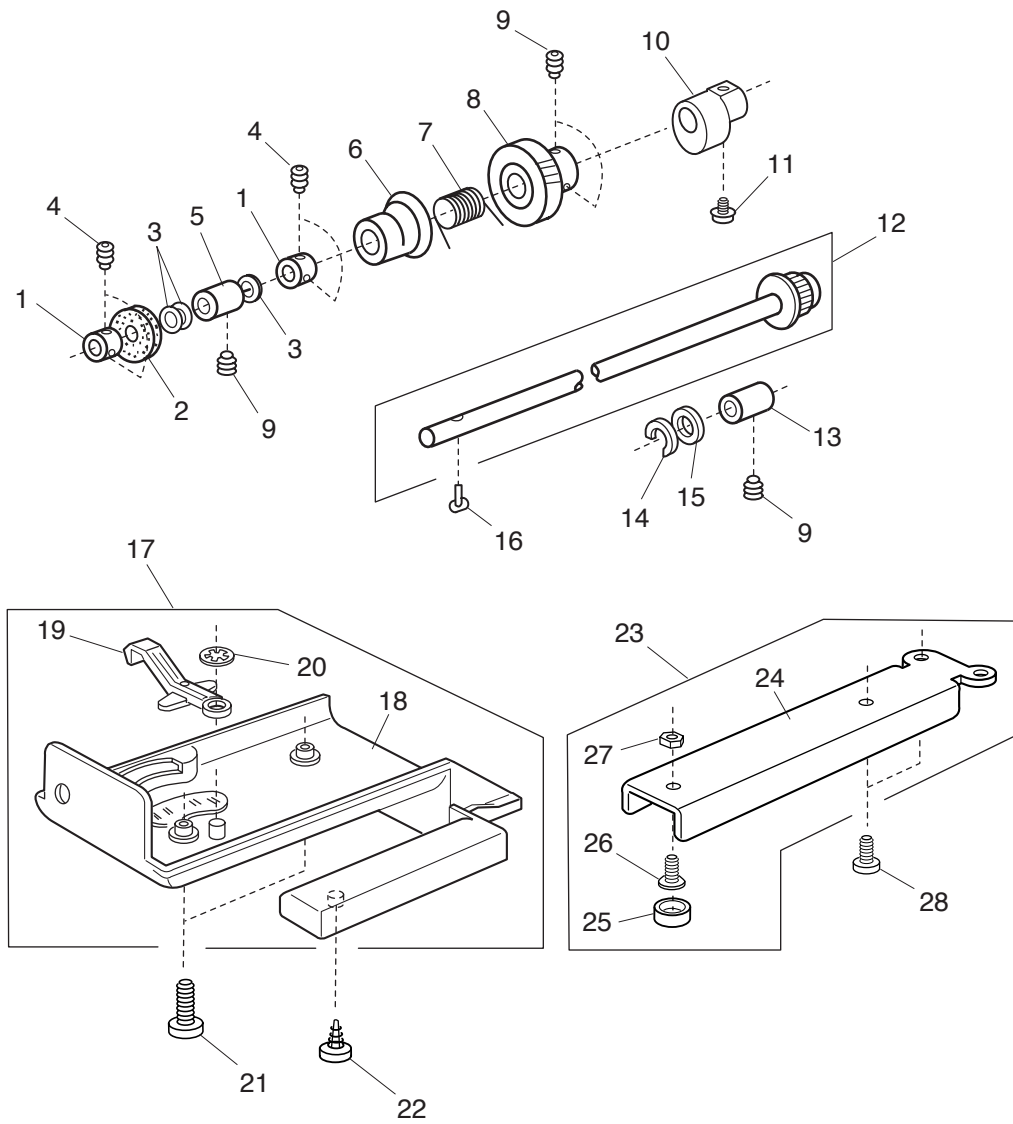
PARTS LIST



PARTS LIST

KEY NO.	PARTS NO.	DESCRIPTION
1	820511108	Thread take-up lever
2	650062003	Thread take-up lever pin
3	000111201	Hexagonal socket screw 4x4
4	000002806	Snap ring E-6
5	807606007	Upper shaft (unit)
6	000111706	Hexagonal socket screw 5x8
7	000110901	Hexagonal socket screw 5x4
8	000111304	Hexagonal socket screw 5x5
9	731384008	Felt
10	830095010	Upper shaft shielding plate
11	820102009	Washer
12	000081005	Setscrew 4x8
13	673062004	Upper shaft bushing
14	756017004	Upper shaft gear
15	000020501	Spring pin 3x22
16	000024206	Spring pin 3x30
17	502064003	Clutch ring
18	502065004	Clutch spring
19	844050016	Belt wheel
20	000030205	Snap ling E-8
21	844077008	Handwheel
22	650071005	Timing belt
23	653139012	Timing belt
24	843525302	Thread tension (unit)
25	000101703	Setscrew 4x12
26	000101404	Setscrew 4x6

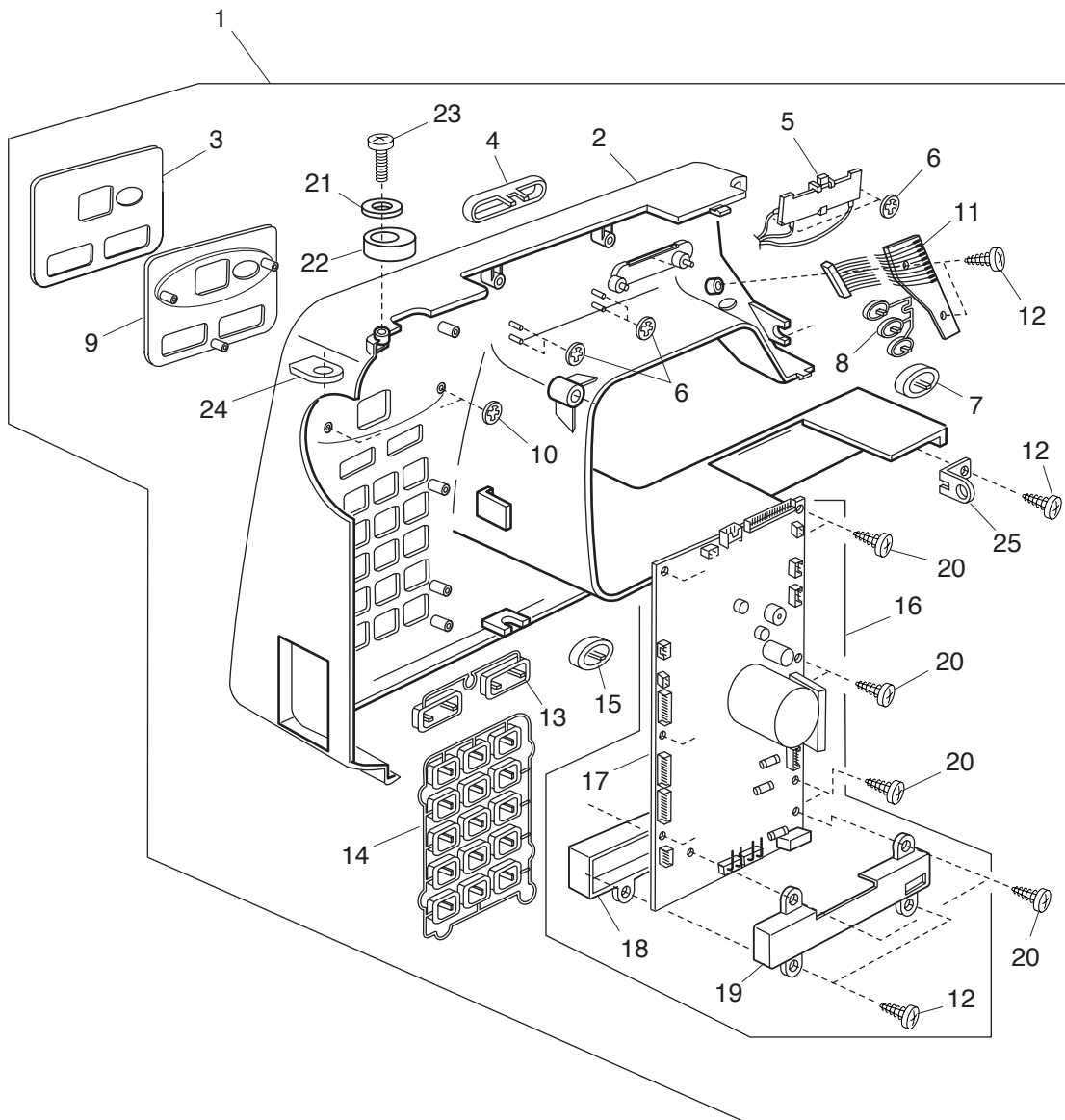
PARTS LIST



PARTS LIST

KEY NO.	PARTS NO.	DESCRIPTION
1	820166001	Lower shaft ring
2	735143005	Felt
3	000038502	Washer
4	000111201	Hexagonal socket screw 4x4
5	650078002	Lower shaft bushing (front)
6	753183025	Feed lifting cam
7	686035008	Feed lifting cam spring
8	650955002	Lower shaft gear
9	000111304	Hexagonal socket screw 5x5
10	823026111	Feed cam
11	000149600	Setscrew 3x14
12	827613009	Lower shaft (unit)
13	650079003	Lower shaft bushing (rear)
14	822112008	Felt holder (1)
15	822070003	Felt (1)
16	820161006	Feed lifting pin
17	843601004	Bed cover (unit)
18	843001008	Bed cover
19	753005000	Drop lever
20	000013903	Snap ring CS-5
21	000101703	Setscrew 4x12
22	000120203	Setscrew 3x8 (B)
23	827601107	Arm leg (unit)
24	827002102	Arm leg
25	735002001	Rubber base
26	000097901	Setscrew 5x18
27	000061412	Nut
28	000066808	Setscrew 6x14

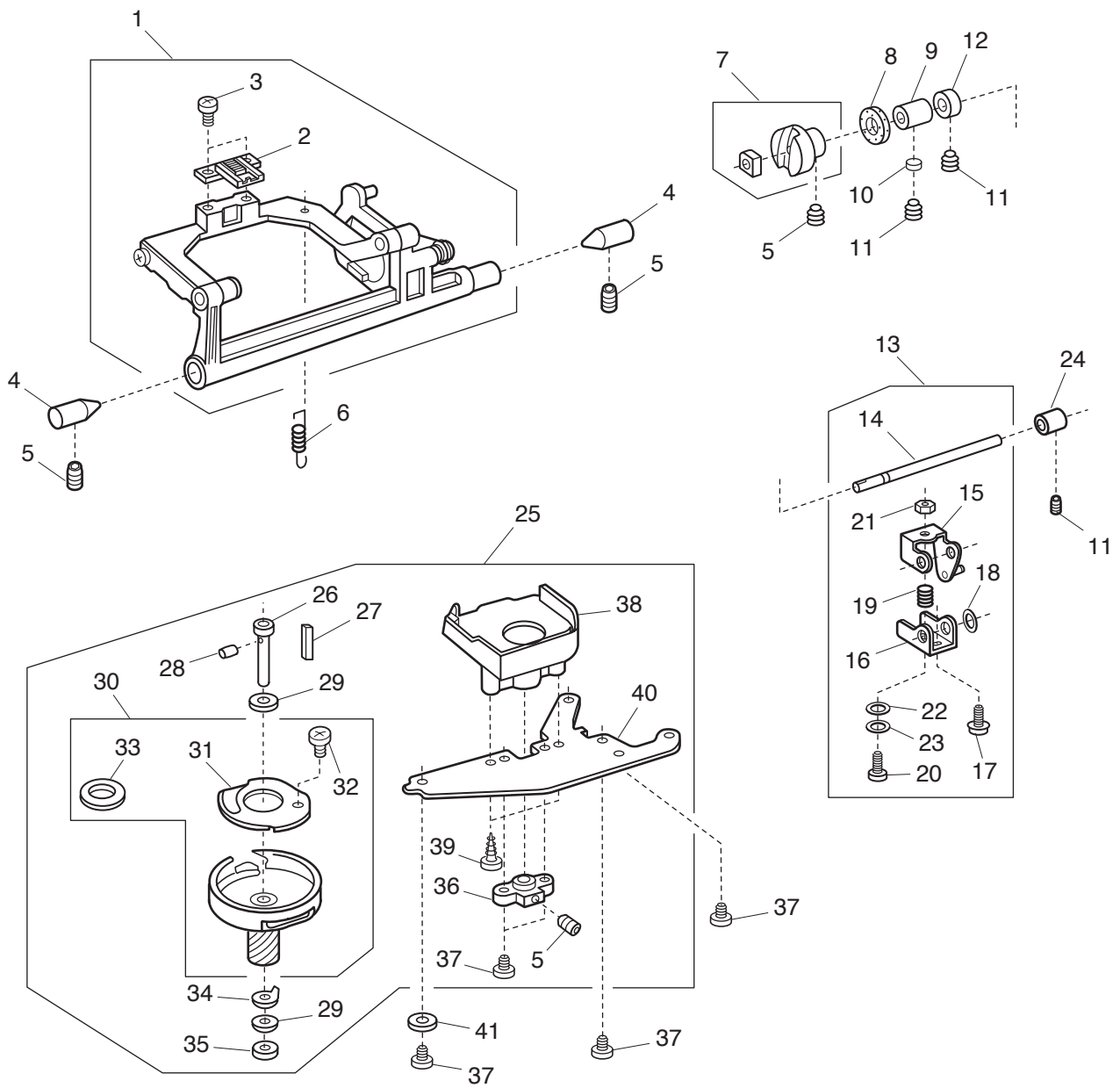
PARTS LIST



PARTS LIST

KEY NO.	PARTS NO.	DESCRIPTION
1	807602405	Front cover (unit)
2	807001707	Front cover
3	807020001	Pattern indicating window
4	807004009	Slide volume lever
5	653507082	Slide volume (unit)
6	000014306	Snap ring CS-3
7	807005206	S/S button
8	807006207	Button (1)
9	807019100	Pattern indicating window frame
10	000014007	Snap ring CS-4
11	807503003	Printed circuit board F (unit)
12	000120203	Setscrew 3x8 (B)
13	807013104	Button (5)
14	807008209	Button (3)
15	807009200	Button (4)
16	807603200	Printed circuit board A (unit)
17	807507007	Printed circuit board A (unit)
18	842063108	Board A case cover
19	843021107	Board A case
20	000161206	Setscrew 3x10 (B)
21	000071013	Washer 4
22	735016307	Bobbin winder stopper
23	000101828	Setscrew 4x16
24	843014004	Nut
25	827069004	Front cover set plate (lower)

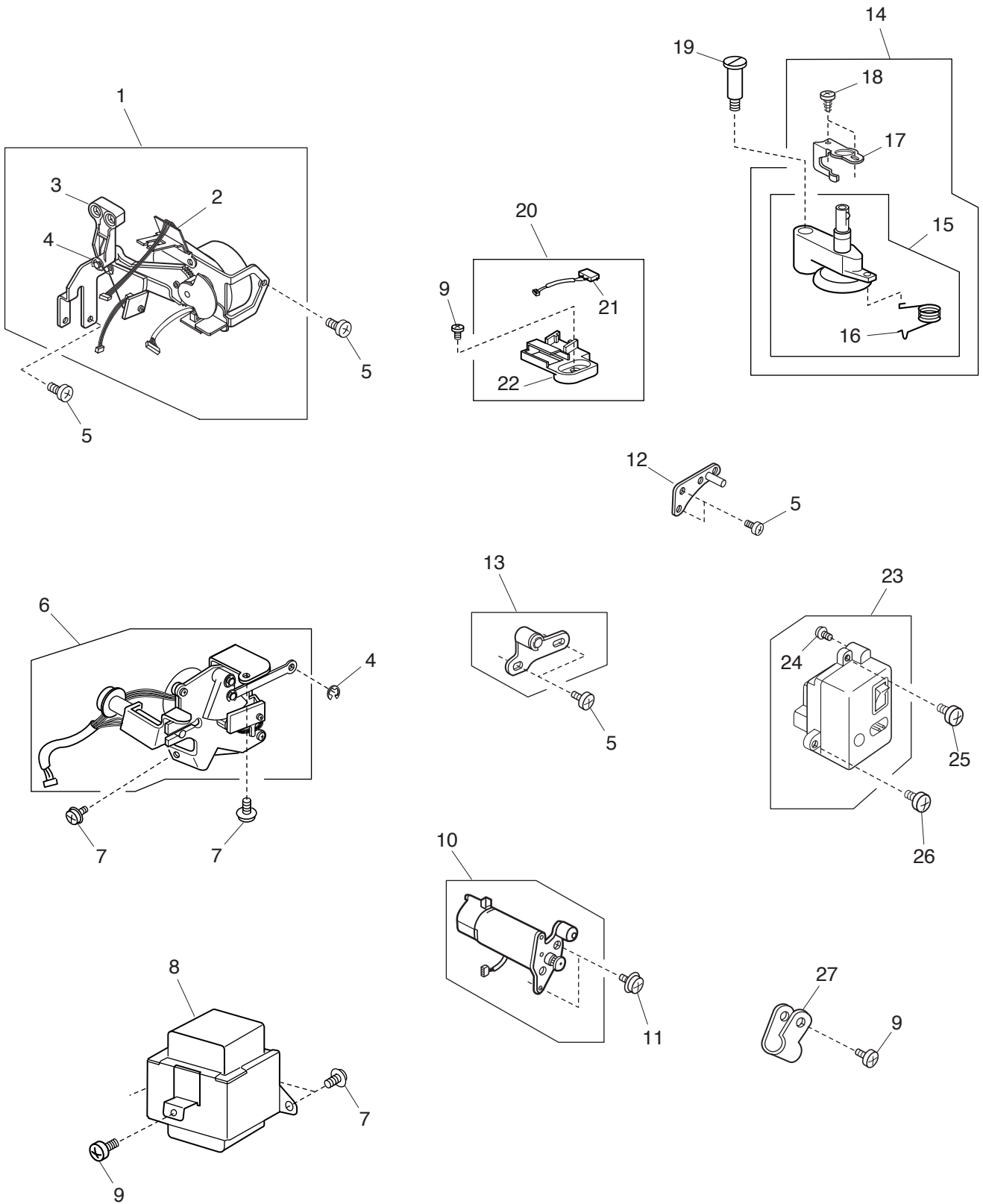
PARTS LIST



PARTS LIST

KEY NO.	PARTS NO.	DESCRIPTION
1	827615300	Feed rock shaft (unit)
2	840005003	Feed dog
3	000104005	Setscrew 3.5x8
4	738055008	Center pin
5	000111304	Hexagonal socket screw 5x5
6	650085002	Spring
7	625508008	Feed adjuster (unit)
8	823110009	Felt
9	625144002	Feed shaft bushing (front)
10	650175000	Screw base
11	000111201	Hexagonal socket screw 4x4
12	820387000	Ring
13	840603306	Feed shaft (unit)
14	827042012	Feed shaft
15	827043105	Feed adjusting arm (1)
16	825261002	Feed adjusting arm (2)
17	000115906	TP setscrew 3x12
18	810207004	Spring washer
19	589040002	Spring
20	827086100	Feed adjusting arm screw
21	000160102	Adjustable nut 4
22	000071013	Washer
23	000036407	Washer FT50
24	650092002	Feed shaft bushing (rear)
25	827614033	Shuttle race (unit)
26	820123006	Shuttle race shaft
27	820124007	Oil string (1)
28	820125008	Oil string (2)
29	000038409	Washer
30	650623008	shuttle body (unit)
31	627191000	Hook bottom plate
32	820374004	Setscrew 2x2.3
33	627190010	Magnet
34	627192001	Washer
35	625102008	Washer
36	650094004	Shuttle race shaft base
37	000081005	Setscrew 4x8
38	827040009	Hook gear cover
39	000107204	Setscrew 3x12 (B)
40	823106002	Shuttle race set plate
41	000070506	Washer 4

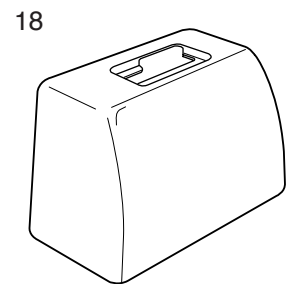
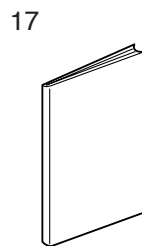
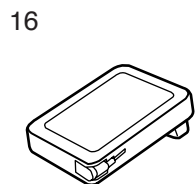
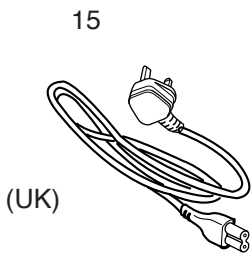
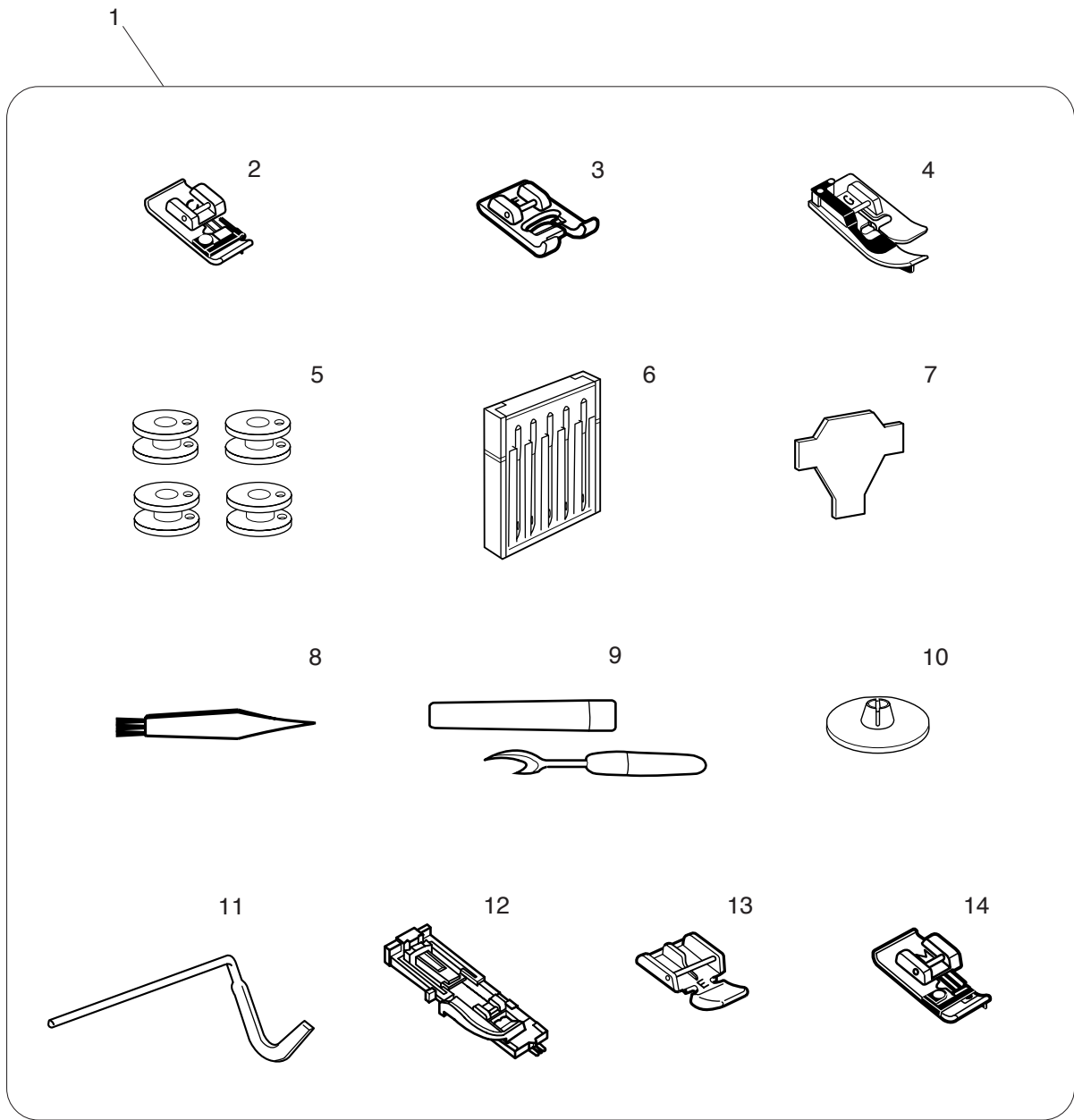
PARTS LIST



PARTS LIST

KEY NO.	PARTS NO.	DESCRIPTION
1	807605006	Stepping motor (unit)
2	807505005	Printed circuit board P (unit)
3	844052007	Connecting arm
4	000002105	Snap ring E-3
5	000081005	Setscrew 4x8
6	844602215	Feed motor (unit)
7	000115205	TP setscrew 4x6
8	846512202	Transformer (unit)
9	000101404	Setscrew 4x6
10	843645505	DC motor (unit)
11	000115700	TP setscrew 4x10
12	843034000	Set plate
13	652611009	Idler (unit)
14	844628033	Bobbin winder (unit)
15	827506008	Bobbin winder (unit)
16	823119008	Bobbin winder arm spring
17	844075039	Clutch releasing arm
18	000120203	Setscrew 3x8 (B)
19	652093009	Setscrew
20	843628007	Switch base plate (unit)
21	753507203	Buttonhole select switch
22	843067002	Switch set plate
23	845504404	Machine socket (unit)
24	000107802	Setscrew 3x10 (B)
25	000103509	Setscrew 4x10
26	000101817	Setscrew 4x16
27	000188209	Nylon clip

PARTS LIST



PARTS LIST

KEY NO.	PARTS NO.	DESCRIPTION
1	807870015	Accessory set
2	822801001	Overedge foot
3	822804118	Satin foot
4	825817009	Blind hem foot
5	102261000	Bobbin
6	540401026	Needle case (unit)
7	653802002	Screw driver
8	802424004	Lint brush
9	647808009	Seam ripper
10	822019509	Small spool holder
11	802422002	Quilter
12	753801004	Buttonhole foot
13	829801002	Zipper foot
14	822808008	Overedge foot
15	830377008	Power supply cord (UK)
	830335004	Power supply cord (Continental Europe)
16	043271133	Foot control
17	807800047	Instruction book (English)
	807800025	Instruction book (Dutch/French/German)
	807800036	Instruction book (Norwegian/Swedish/Danish)
	807800070	Instruction book (Italian)
18	479714000	Cover