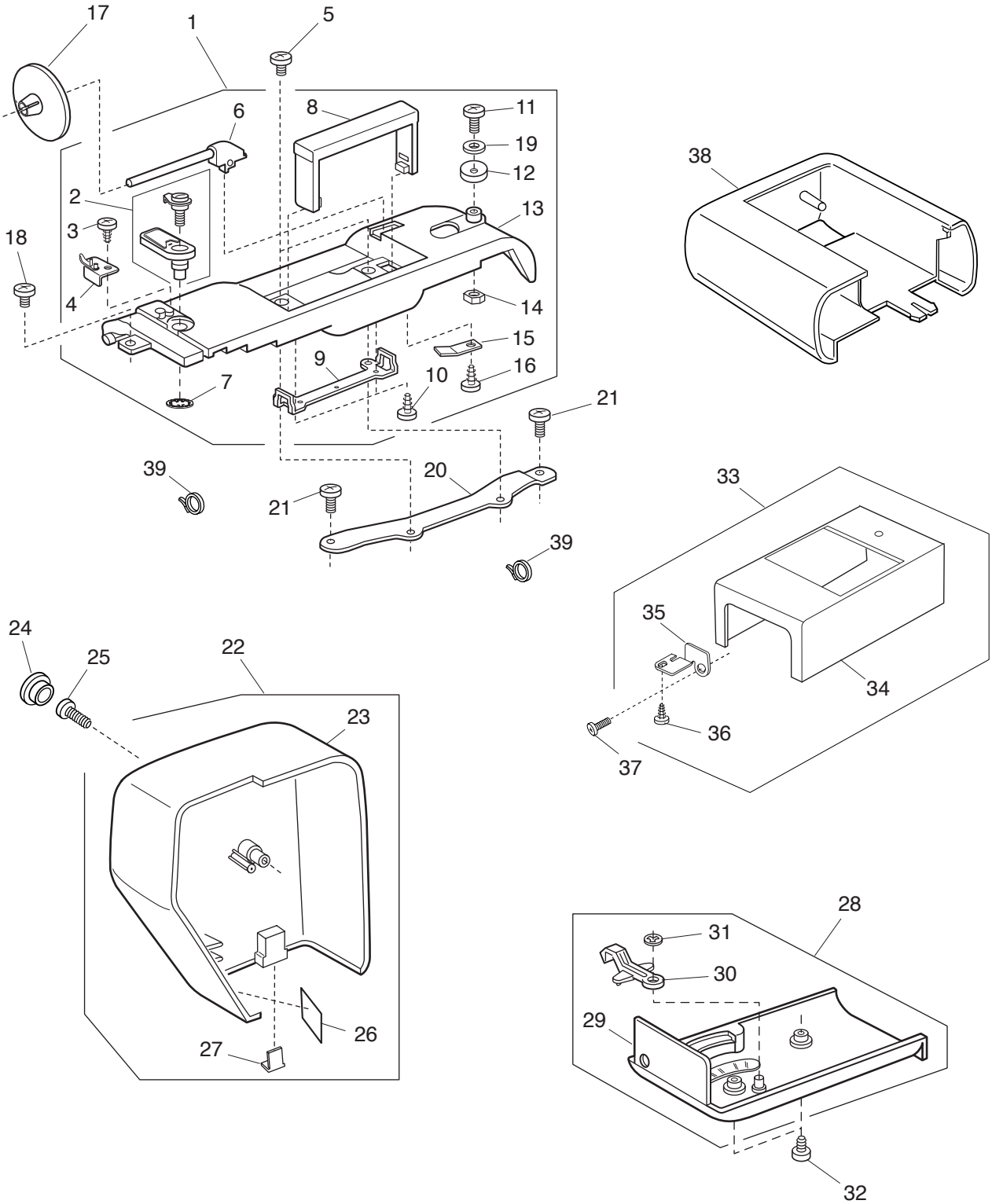


PARTS LIST

MODEL : DC3030

JANOME

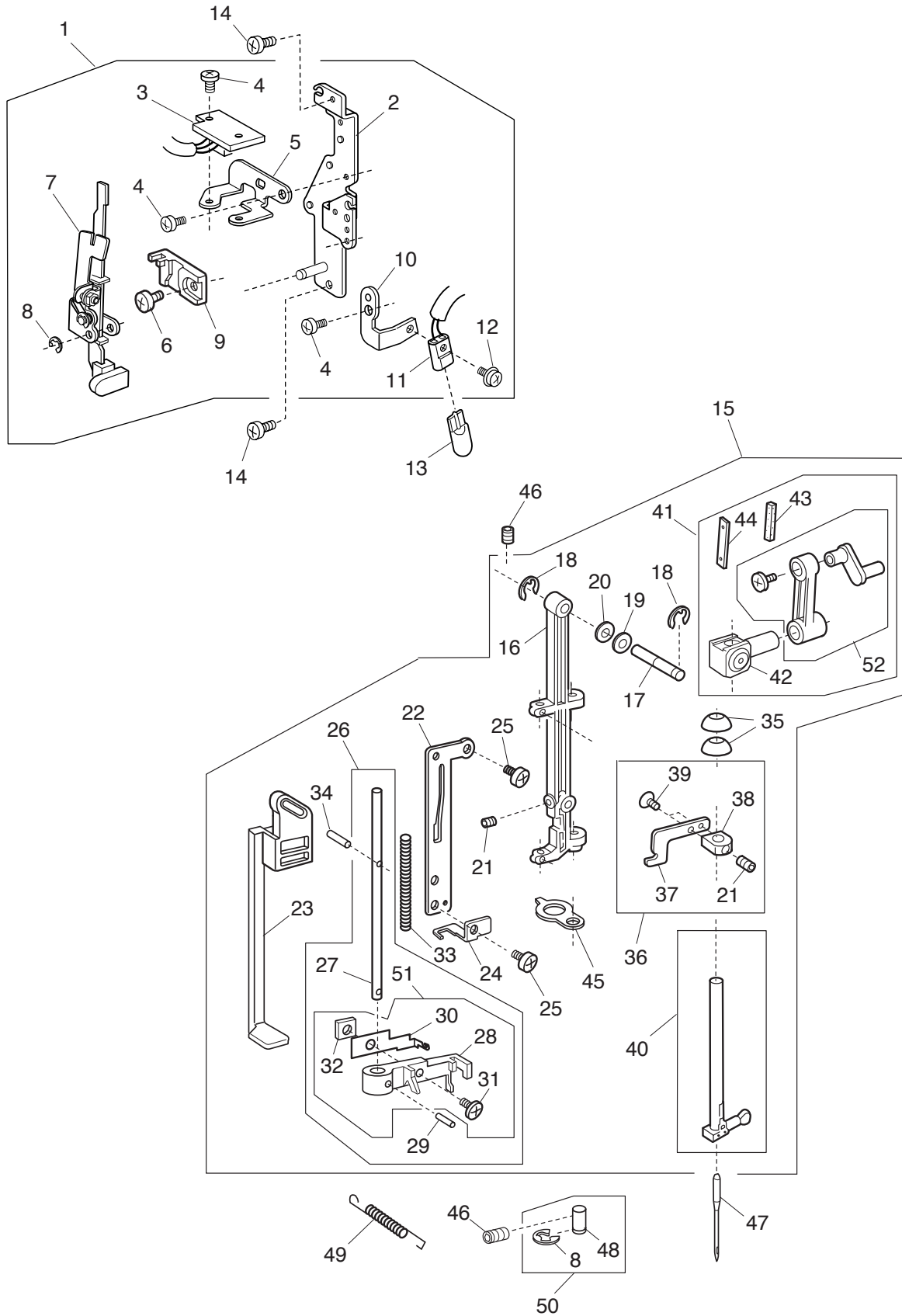
PARTS LIST



PARTS LIST

KEY NO.	PARTS NO.	DESCRIPTION
1	828603308	Top cover (unit)
2	650503702	Thread guide (unit)
3	000162001	Setscrew 2.6x5 (B)
4	827503005	Top cover thread guide (unit)
5	000103107	Setscrew 4x14
6	505067005	Spool pin
7	000014409	Snap ring CS-8
8	827014004	Handle
9	827015005	Set plate
10	000161206	Setscrew 3x10 (B)
11	000103107	Setscrew 4x14
12	735016307	Bobbin winder stopper
13	828008031	Top cover
14	000061205	Nut 4-3
15	822018003	Spool pin spring
16	000107318	Setscrew 3x8 (B)
17	822020503	Spool holder (large)
18	810220003	Setscrew
19	000071013	Washer
20	827016017	Top cover set plate
21	000081005	Setscrew 4x8
22	843649107	Face plate (unit)
23	843138108	Face plate
24	653006101	Cap
25	000101817	Setscrew 4x16
26	827099003	Face plate sticker
27	840602006	Thread cutter (unit)
28	827602108	Bed cover (unit)
29	827004104	Bed cover
30	753005000	Drop lever
31	000013903	Snap ring CS-5
32	000101703	Setscrew 4x12
33	659601007	Free arm cover (unit)
34	659001001	Free arm cover
35	756004008	Free arm cover set plate
36	000120203	Setscrew 3x8 (B)
37	000101404	Setscrew 4x6
38	843140000	Extension table
39	000053008	Cord binder

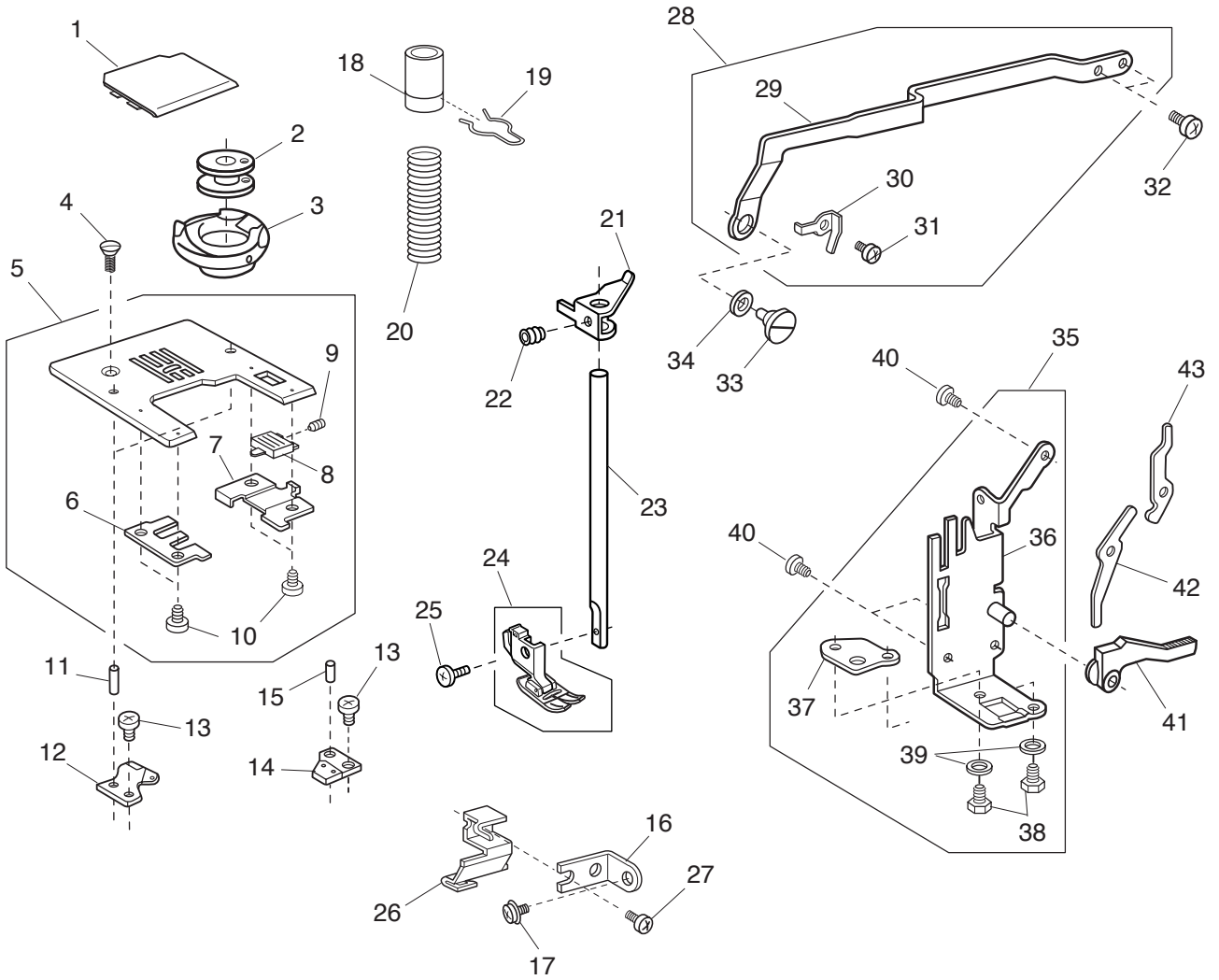
PARTS LIST



PARTS LIST

KEY NO.	PARTS NO.	DESCRIPTION
1	843604007	Front base plate (unit)
2	843008005	Front base plate
3	843502004	Printed circuit board E-1 (unit)
4	000101105	Setscrew 3x4
5	843009006	BH lever supporter plate
6	000103808	Setscrew 3x5
7	843625004	BH lever (unit)
8	000002105	Snap ring E-3
9	830057010	BH lever guide
10	843007004	Lamp set plate
11	843508000	Lamp socket (unit)
12	000115308	Setscrew TP 2x8
13	000026002	Wedge base lamp 12V 5W
14	000081005	Setscrew 4x8
15	840647003	Needle bar supporter (unit)
16	827026010	Needle bar supporter
17	730022002	Needle bar supporter pin
18	000002507	Snap ring E-4
19	000070609	Washer
20	673022002	Washer
21	000111902	Hexagonal socket screw 3x4
22	840033000	Thread guide plate
23	840034001	Needle threader lever
24	840037004	Needle threader lever set plate
25	000078319	Setscrew 3x6
26	840646002	Needle threader bar (unit)
27	840036003	Needle threader bar
28	755064003	Needle threader guard plate
29	000003508	Spring pin 2x8
30	755065004	Needle threader plate
31	755096004	Setscrew
32	755095003	Nut
33	840035002	Needle threader spring
34	000125105	Pin 2x6
35	827098002	Washer
36	734625003	Threader position set plate (unit)
37	734101008	Threader position set plate
38	734102009	Threader position holder
39	000097602	Setscrew 2x4
40	653503103	Needle bar (unit)
41	843652000	Needle bar connecting stud (unit)
42	639516002	Needle bar connecting stud (unit)
43	650040005	Felt
44	650041006	Felt holder spring
45	829027006	Supporter guide plate
46	000111201	Hexagonal socket screw 4x4
47	102408089	Needle HA1-14
48	827083004	Supporter guide plate pin
49	756063005	Supporter spring
50	842625001	Supporter guide plate pin (unit)
51	755643002	Threader plate (unit)
52	843543007	Needle bar crank pin (unit)

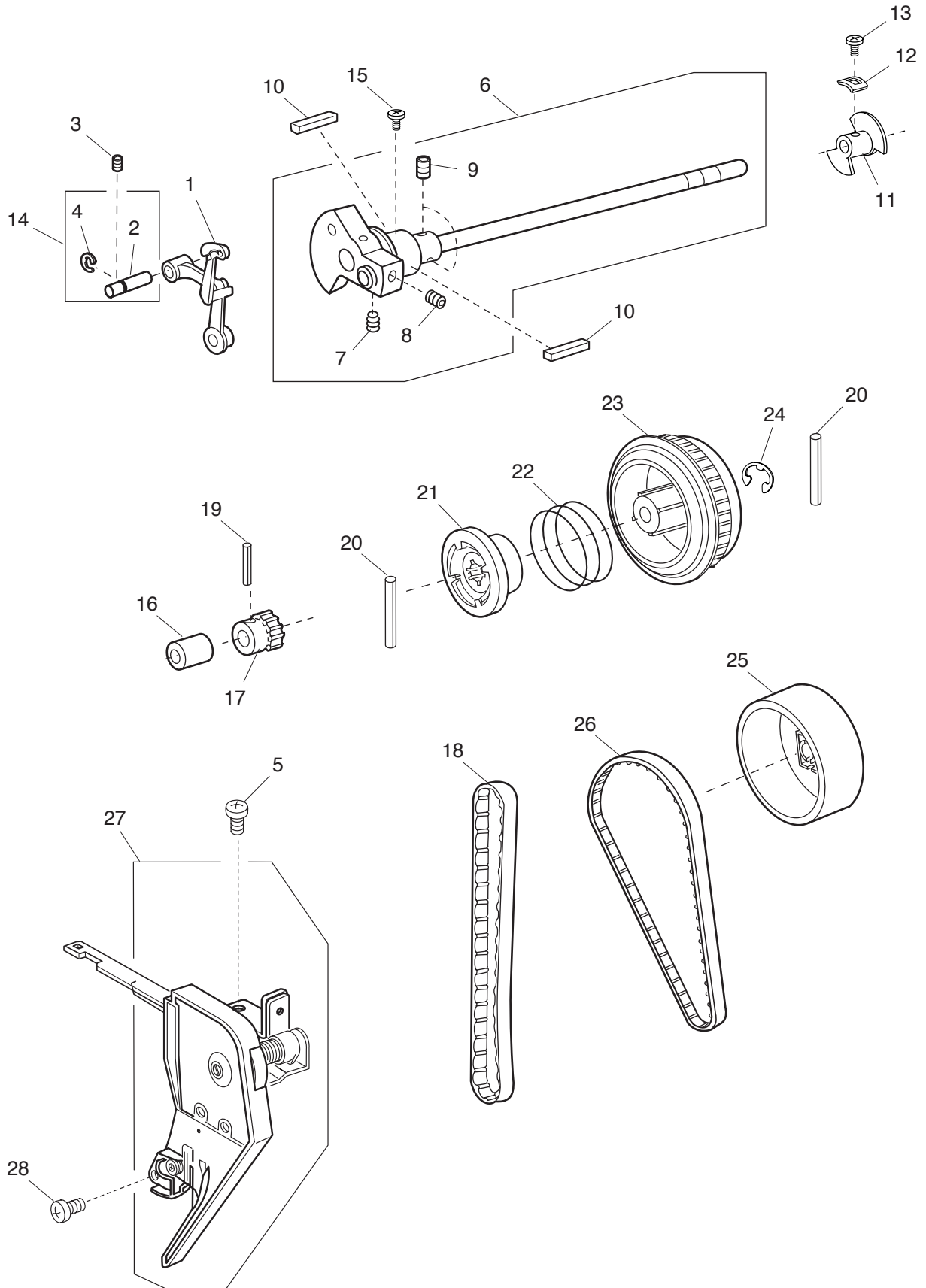
PARTS LIST



PARTS LIST

KEY NO.	PARTS NO.	DESCRIPTION
1	750036012	Hook cover plate
2	102261000	Bobbin
3	627569106	Bobbin holder (unit)
4	681009101	Needle plate set screw
5	756604107	Needle plate (unit)
6	752005007	Hook cover plate holder (left)
7	825015010	Hook cover plate holder (right)
8	825016000	Hook cover plate holder release button
9	825017001	Hook cover plate holder spring
10	820374004	Setscrew 2x2.3
11	000122504	Pin 3x10
12	827011001	Bobbin holder stopper
13	810220003	Setscrew
14	627567001	Bobbin holder stopper (unit)
15	000122700	Pin 2.5x6
16	827037003	Front panel set plate
17	000115205	Setscrew 4x6
18	802021007	Bushing
19	802022008	Snap retainner
20	730026006	Presser bar spring
21	735028003	Presser bar supporter
22	000111500	Hexagonal socket screw 4x8
23	827021004	Presser bar
24	660509008	Zigzag foot (unit)
25	660106001	Setscrew
26	827036002	Arm thread guide
27	000081005	Setscrew 4x8
28	827622012	Zigzag rod (unit)
29	827055018	Zigzag rod
30	827088009	Zigzag rod spring
31	820373003	Setscrew 2x3
32	000078319	Setscrew 3x6
33	678084007	Eccentric pin
34	653037008	Washer
35	827608403	Presser base plate (unit)
36	827020047	Presser base plate
37	827082003	Foot regulating plate
38	000066303	Hexagona bolt 4x6
39	000070908	Washer 4
40	000081005	Setscrew 4x8
41	735029004	Presser foot lifter
42	827022005	Tension release lever (1)
43	827023006	Tension release lever (2)

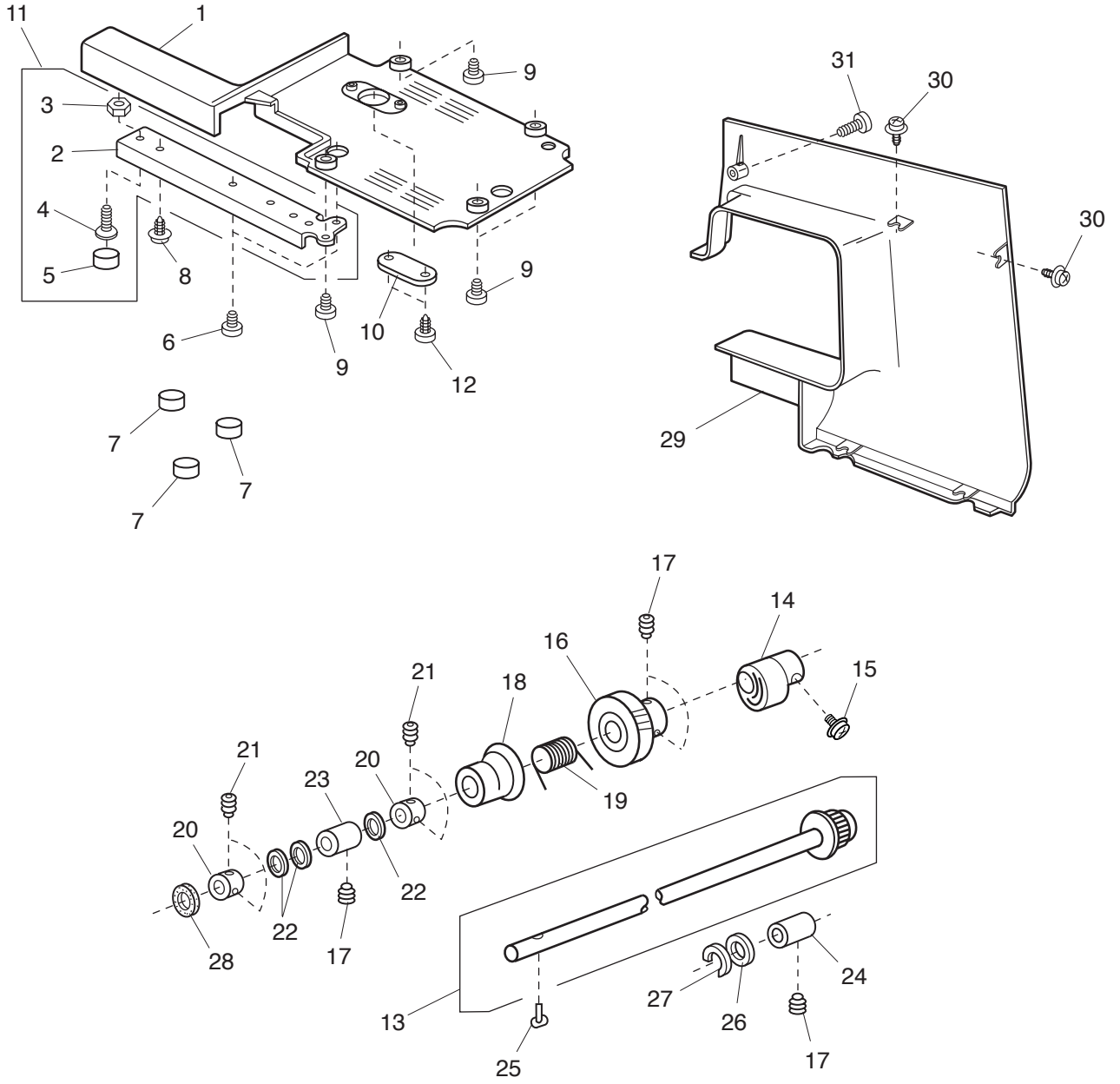
PARTS LIST



PARTS LIST

KEY NO.	PARTS NO.	DESCRIPTION
1	820511108	Thread take-up lever
2	650062003	Thread take-up lever pin
3	000111201	Hexagonal socket screw 4x4
4	000001702	Snap ring E-6
5	000101404	Setscrew 4x6
6	843643101	Upper shaft comp. (unit)
7	000111706	Hexagonal socket screw 5x8
8	000110901	Hexagonal socket screw 5x4
9	000111304	Hexagonal socket screw 5x5
10	731384008	Felt
11	830095010	Upper shaft shielding plate
12	820102009	Washer
13	000081005	Setscrew 4x8
14	650626001	Thread take-up lever pin (unit)
15	000172602	Setscrew 5x8
16	673062004	Upper shaft bushing (rear)
17	756017004	Upper shaft gear
18	650071005	Timing belt
19	000020501	Spring pin 3x22
20	000024206	Spring pin 3x30
21	502064003	Clutch ring
22	502065004	Clutch spring
23	844050016	Belt wheel
24	000030205	Snap ring E-8
25	844077008	Handwheel
26	653139012	Timing belt
27	843540004	Thread tension (unit)
28	000101703	Setscrew 4x12

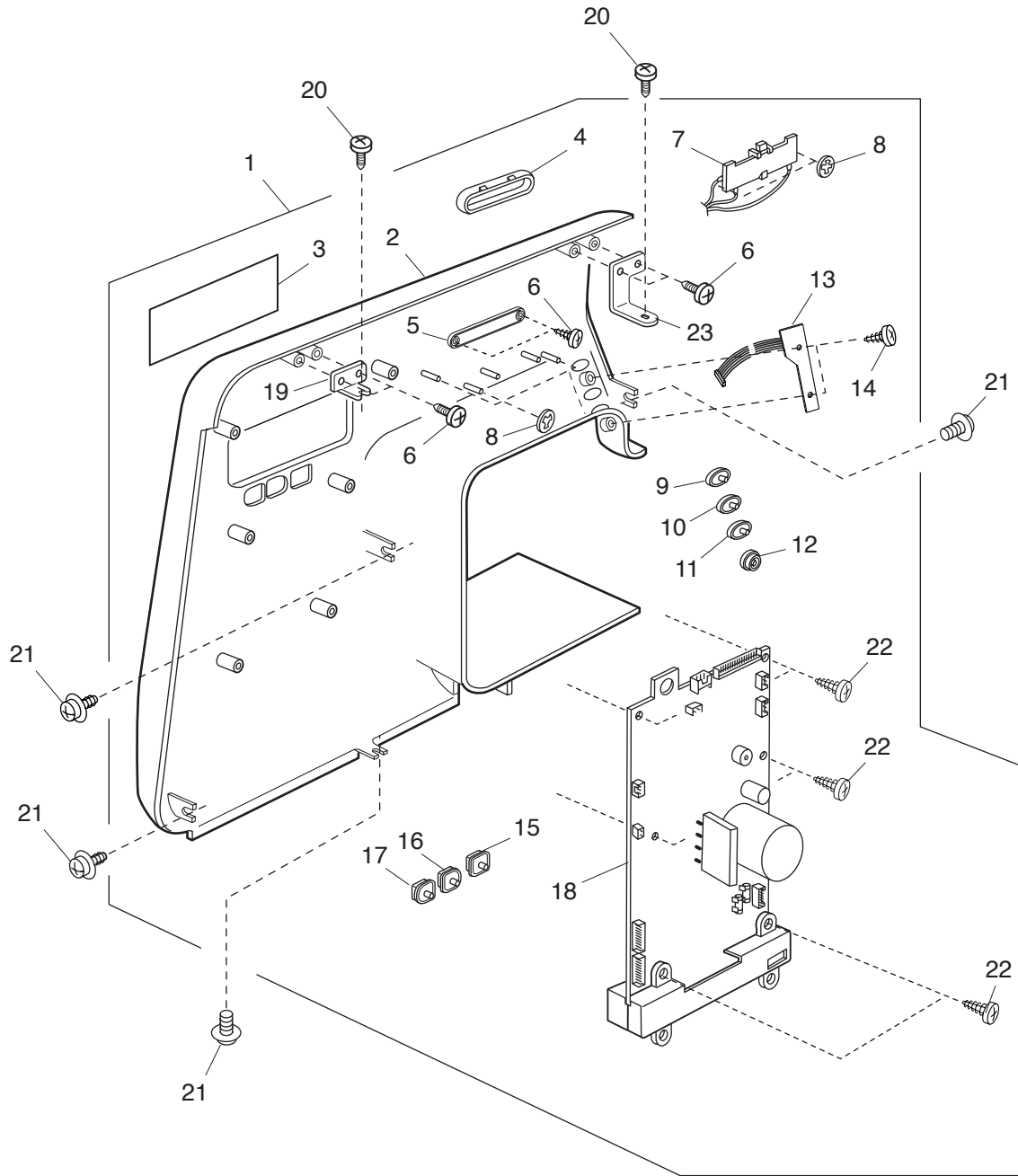
PARTS LIST



PARTS LIST

KEY NO.	PARTS NO.	DESCRIPTION
1	827003000	Base plate
2	827002102	Arm leg
3	000061412	Nut 5-3-8
4	000097901	Setscrew 5x18
5	735002001	Rubber base
6	000066808	Setscrew 6x14
7	647009002	Bed rubber base
8	000161206	Setscrew TP 3x10 (B)
9	000103509	Setscrew 4x10
10	824058001	Base cover
11	827601107	Arm leg (unit)
12	000107318	Setscrew 3x8 (B)
13	751612206	Lower shaft (unit)
14	751148000	Feed cam
15	000115009	Setscrew 3x8
16	650955002	Lower shaft gear
17	000111304	Hexagonal socket screw 5x5
18	753183025	Feed lifting cam
19	686035008	Feed lifting cam spring
20	820166001	Ring
21	000111201	Hexagonal socket screw 4x4
22	000038502	Washer
23	650078002	Lower shaft bushing (front)
24	650079003	Lower shaft bushing (rear)
25	820161006	Feed lifting pin
26	822070003	Felt
27	822112008	Felt holder (1)
28	735143005	Felt
29	842001418	Rear cover
30	000115205	Setscrew TP 4x6
31	000104119	Setscrew 4x20

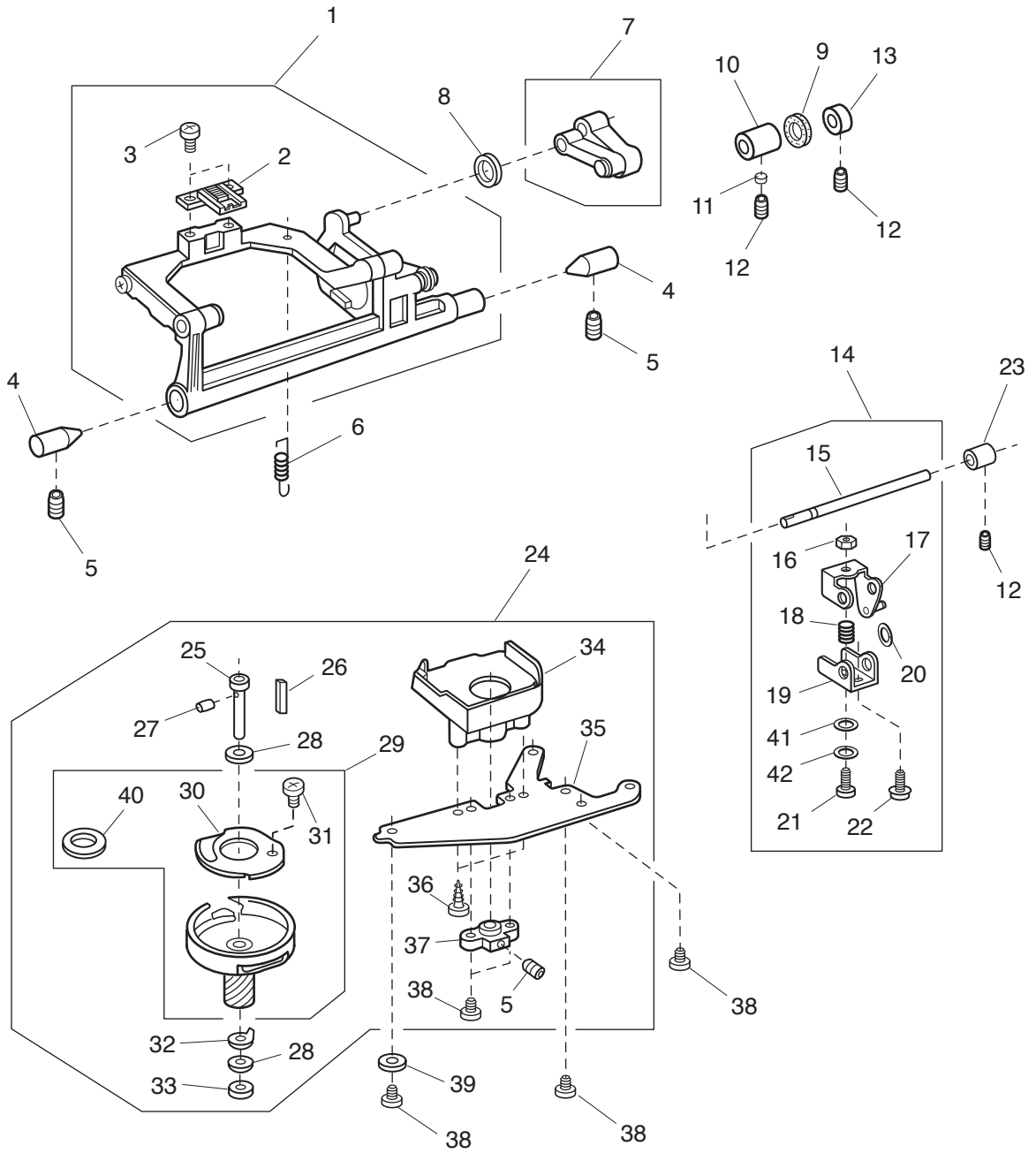
PARTS LIST



PARTS LIST

KEY NO.	PARTS NO.	DESCRIPTION
1	843641202	Front cover (unit)
2	843114120	Front cover
3	842059204	Indicator window
4	841017001	Slide volume lever
5	751273005	Slide volume knob
6	000120203	Setscrew 3x8 (B)
7	653507211	Slide volume (unit)
8	000014306	Snap ring CS-3
9	843026803	Button (1)
10	843026906	Button (1)
11	843026157	Button (1)
12	842048233	Start/Stop button
13	842512200	Printed circuit board F (unit)
14	000161103	Setscrew 3x6 (B)
15	842062200	Button (2)
16	842061302	Button
17	842061405	Button
18	843613294	Printed circuit board A (unit)
19	841019003	Front cover set plate (rear)
20	000101404	Setscrew 4x6
21	000115205	Setscrew TP 4x6
22	000161206	Setscrew 3x10 (B)
23	842014001	Front cover set plate (front)

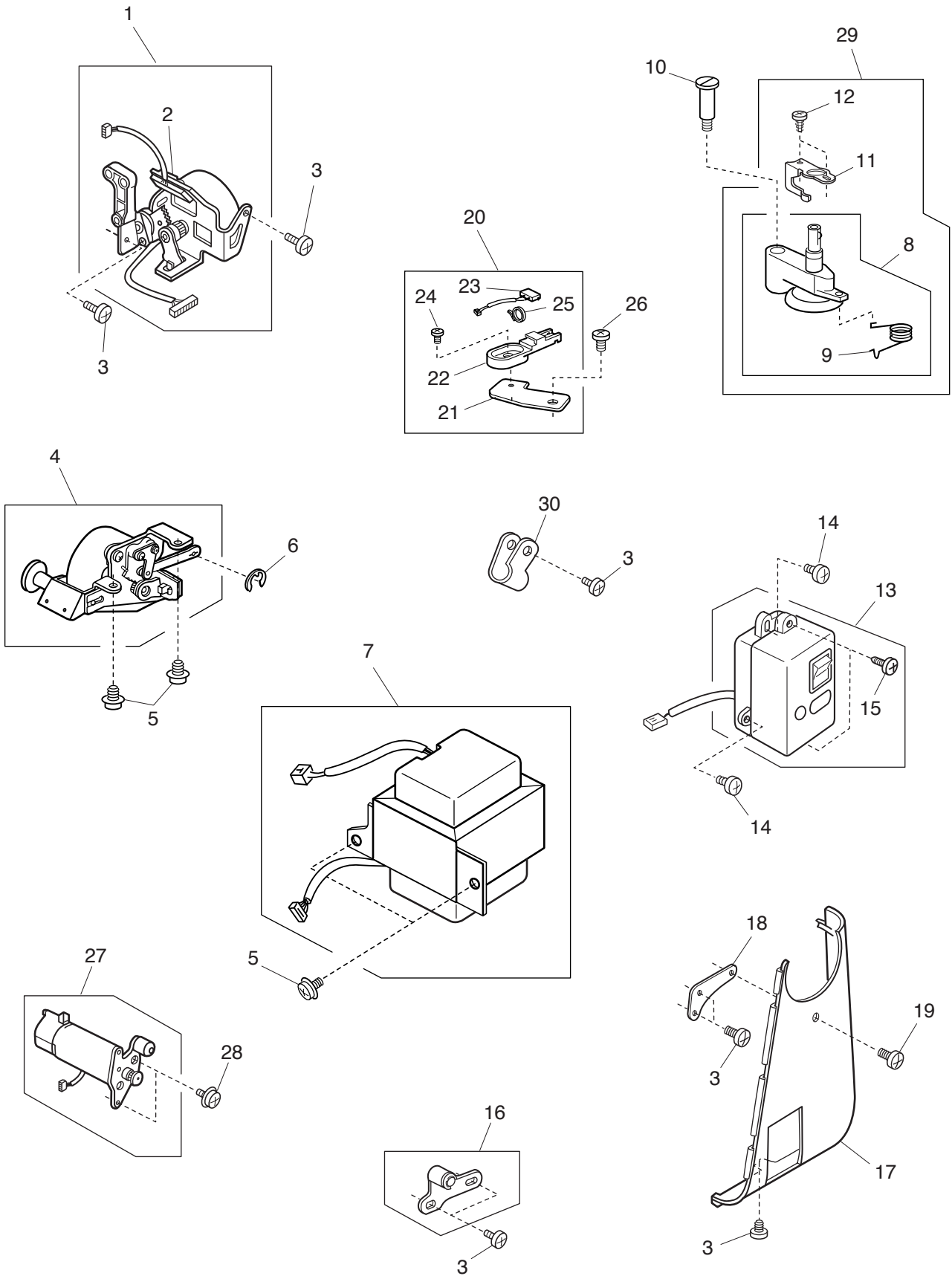
PARTS LIST



PARTS LIST

KEY NO.	PARTS NO.	DESCRIPTION
1	834527100	Feed rock shaft (unit)
2	840005003	Feed dog
3	000104005	Setscrew 3.5x8
4	738055008	Center pin
5	000111304	Hexagonal socket screw 5x5
6	650085002	Spring
7	650612004	Feed adjuster (unit)
8	000036603	Washer
9	823110009	Felt
10	625144002	Feed shaft bushing (front)
11	650175000	Screw base
12	000111201	Hexagonal socket screw 4x4
13	820387000	Ring
14	840603007	Feed shaft (unit)
15	840006004	Feed shaft
16	000160102	Adjustable nut 4
17	825261002	Feed adjusting arm (2)
18	589040002	Spring
19	827043105	Feed adjusting arm (1)
20	810207004	Spring washer
21	827086007	Feed adjusting arm screw
22	000115906	Setscrew TP 3x12
23	650092002	Feed shaft bushing (rear)
24	827614033	Shuttle race (unit)
25	820123006	Shuttle race shaft
26	820124007	Oil string (1)
27	820125008	Oil string (2)
28	000038409	Washer
29	650623008	Shuttle body (unit)
30	627191000	Hook bottom plate
31	820374004	Setscrew 2x2.3
32	627192001	Washer
33	625102008	Washer
34	827040009	Hook gear cover
35	823106002	Shuttle race set plate
36	000107204	Setscrew 3x12 (B)
37	650094004	Shuttle race shaft base
38	000081005	Setscrew 4x8
39	000070506	Washer
40	627190010	Magnet
41	000071013	Washer
42	000036407	Thrust washer FT 50

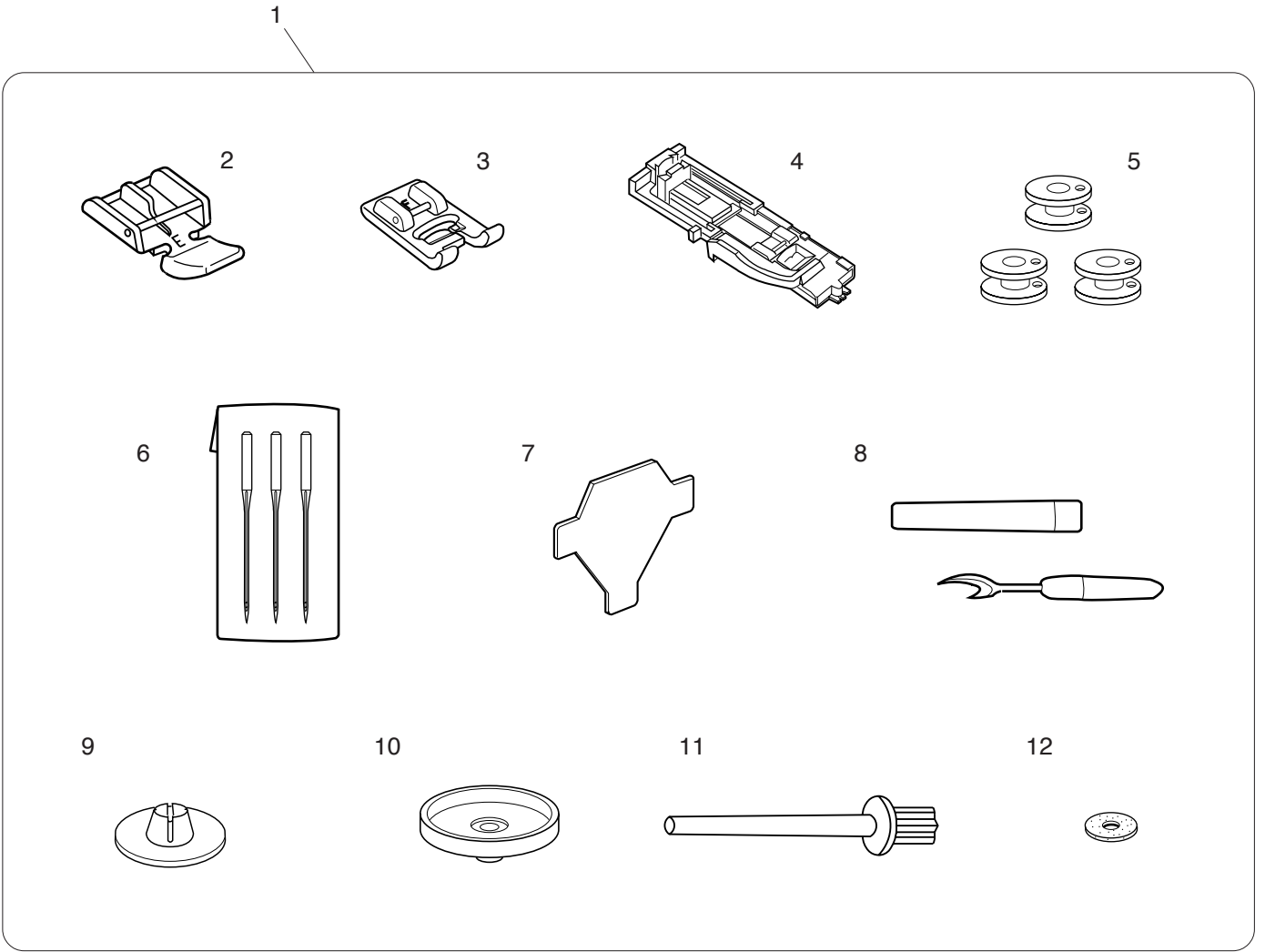
PARTS LIST



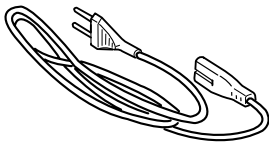
PARTS LIST

KEY NO.	PARTS NO.	DESCRIPTION
1	843608104	Stepping motor (unit)
2	843505007	Printed circuit board P (unit)
3	000081005	Setscrew 4x8
4	843606102	Feed motor (unit)
5	000115205	Setscrew TP 4x6
6	000002105	Snap ring E-3
7	843516001	Transformer (unit) (230V)
8	827506008	Bobbin winder (unit)
9	823119008	Bobbin winder arm spring
10	652093009	Setscrew
11	844075039	Clutch releasing arm
12	000120203	Setscrew 3x8 (B)
13	843519004	Machine socket (unit) (230V)
14	000103509	Setscrew 4x10
15	000121204	Setscrew 4x8 (B)
16	652611009	Idler (unit)
17	828064002	Belt cover
18	827085017	Belt cover set plate
19	000104119	Setscrew 4x20
20	842629005	Switch base plate (unit)
21	842066008	Switch base plate
22	827100008	Switch set plate
23	753507203	Buttonhole select switch
24	000103808	Setscrew 3x5
25	000053008	Cord binder
26	000101404	Setscrew 4x6
27	843645000	Motot (unit)
28	000115700	Setscrew TP 4x10
29	844628033	Bobbin winder (unit)
30	000188209	Nylon clip

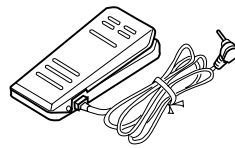
PARTS LIST



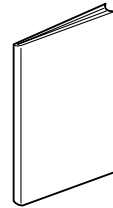
13



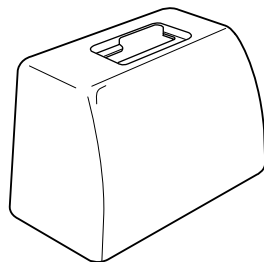
14



15



16



PARTS LIST

KEY NO.	PARTS NO.	DESCRIPTION
1	843870109	Attachment (unit)
2	829801002	Zipper foot
3	822804118	Satin foot
4	753801004	Automatic buttonhole foot
5	102261000	Bobbin
6	639804000	Assorted needle set (unit)
7	653802002	Screwdriver
8	647808009	Seam ripper (unit)
9	822019509	Spool cap (small)
10	829803004	Spool stand
11	625031500	Spool pin (2)
12	102403109	Felt
13	830335004	Power supply cord for Continental Europe
14	033570318	Foot control
15	843800670	Instruction book (DuGeFr)
16	479701118	Cover