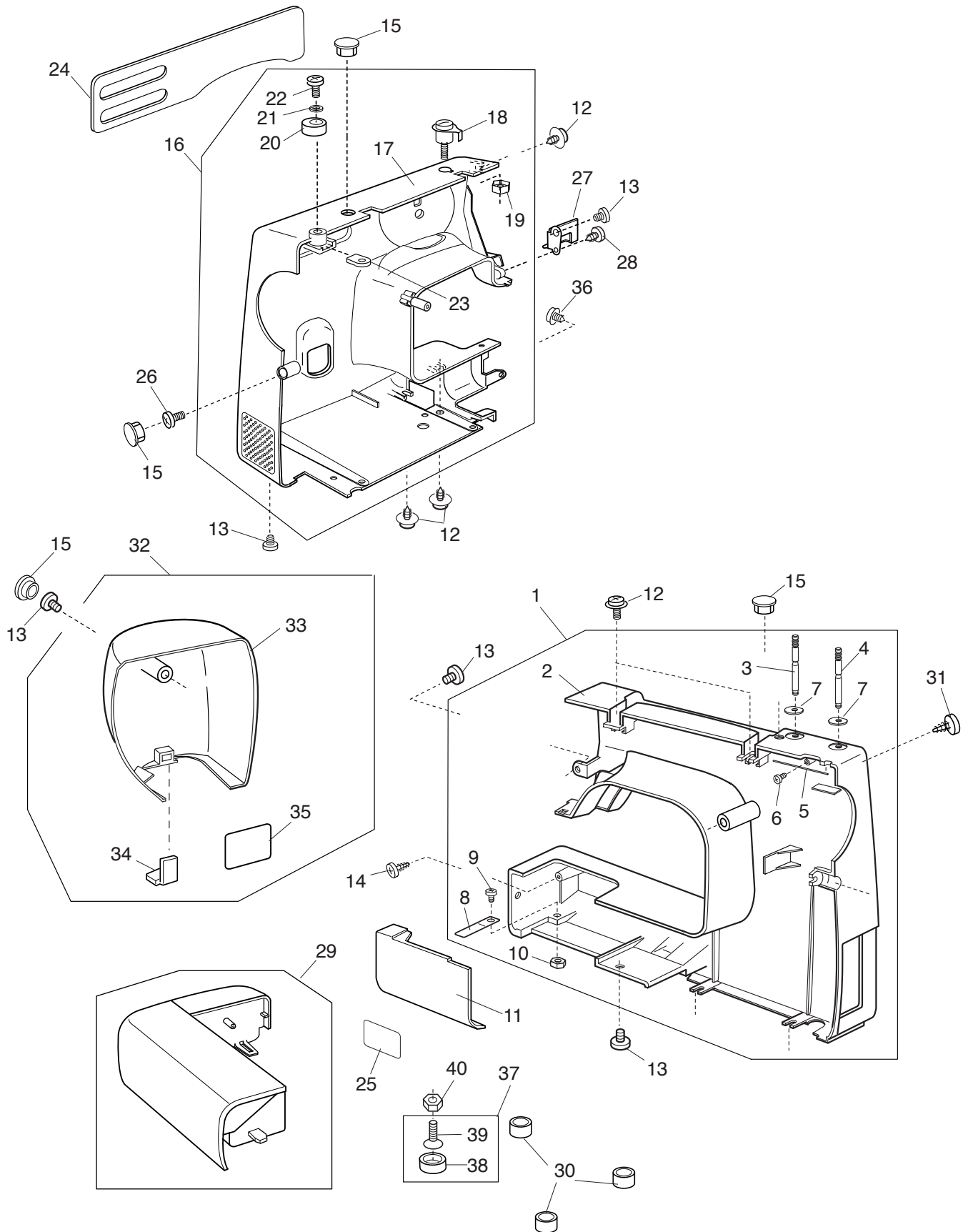


PARTS LIST

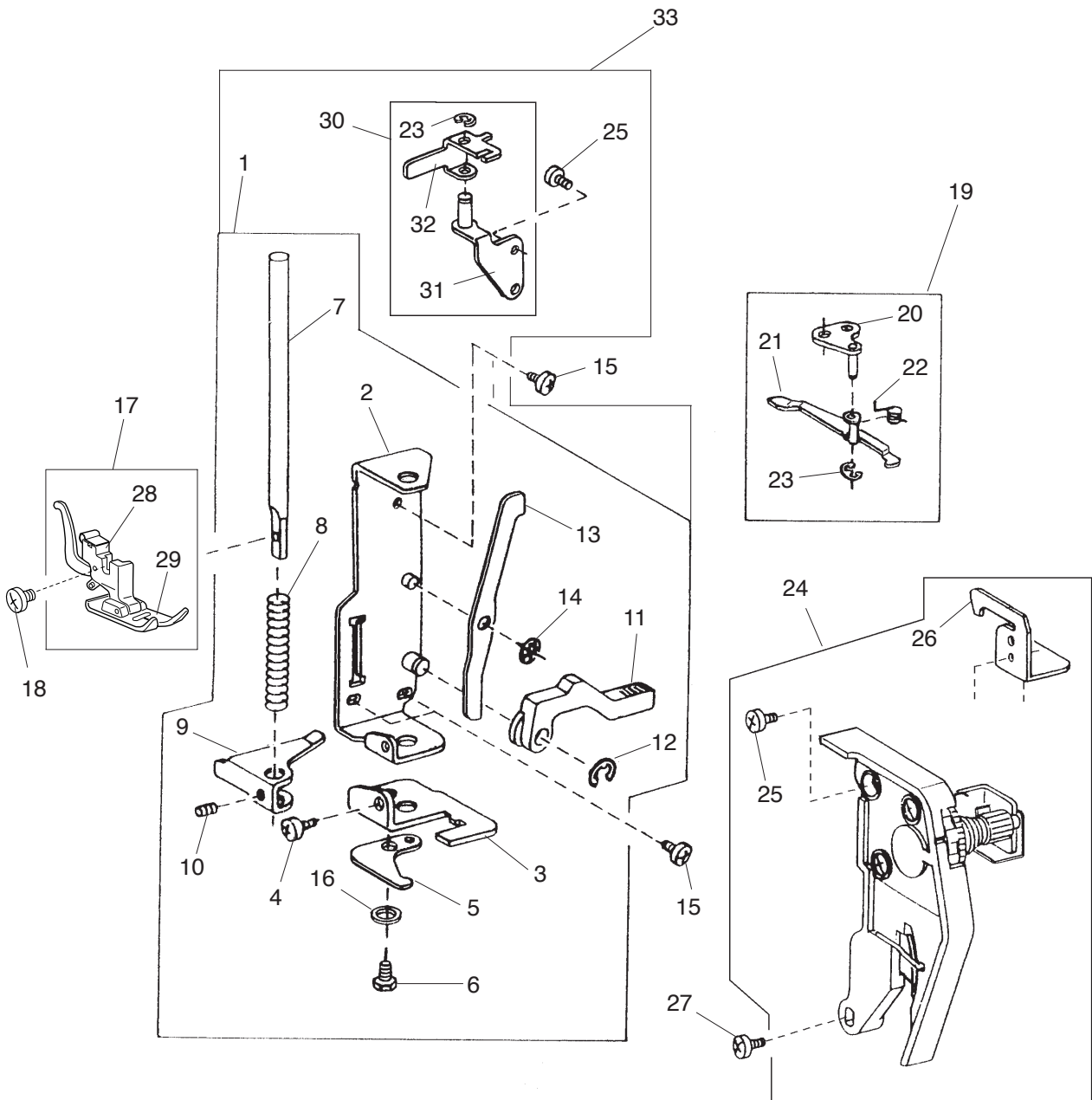
PARTS LIST



PARTS LIST

KEY NO.	PARTS NO.	DESCRIPTION
1	304601307	Rear cover (unit)
2	304001105	Rear cover
3	652302004	Spool pin
4	652205006	Spool pin
5	736007009	Spool pin spring
6	000076317	Tapping screw 3x10
7	735013005	Spool pin spring base
8	730006000	Spring
9	000101404	Setscrew 4x6
10	000061205	Nut
11	739004005	Bed cover plate
12	000115205	TP screw 4x6
13	000081005	Setscrew 4x8
14	000121905	Tapping screw 4x12 (B)
15	653006101	Cap
16	304605079	Front cover (unit)
17	304029361	Front cover
18	730501011	Thread guide plate (unit)
19	000160102	Adjustable lock nut 4
20	735016307	Bobbin winder stopper
21	000071013	Washer
22	000101828	Setscrew 4x16
23	843014004	Nut
24	304030804	Panel
25	639161008	Sticker
26	000101703	Setscrew 4x12
27	745031000	Thread guide plate
28	000107307	Tapping screw 3x8 (B)
29	304501007	Extension table (unit)
30	739064003	Bed rubber base
31	000198604	Tapping screw 4x14 (B)
32	304613003	Face cover (unit)
33	304051007	Face cover
34	840602006	Thread cutter (unit)
35	724025006	Reflex sticker
36	000115607	TP screw 4x8
37	735616200	Rubber base (unit)
38	735002001	Rubber base
39	000097901	Flat screw M5x18
40	000061319	Nut

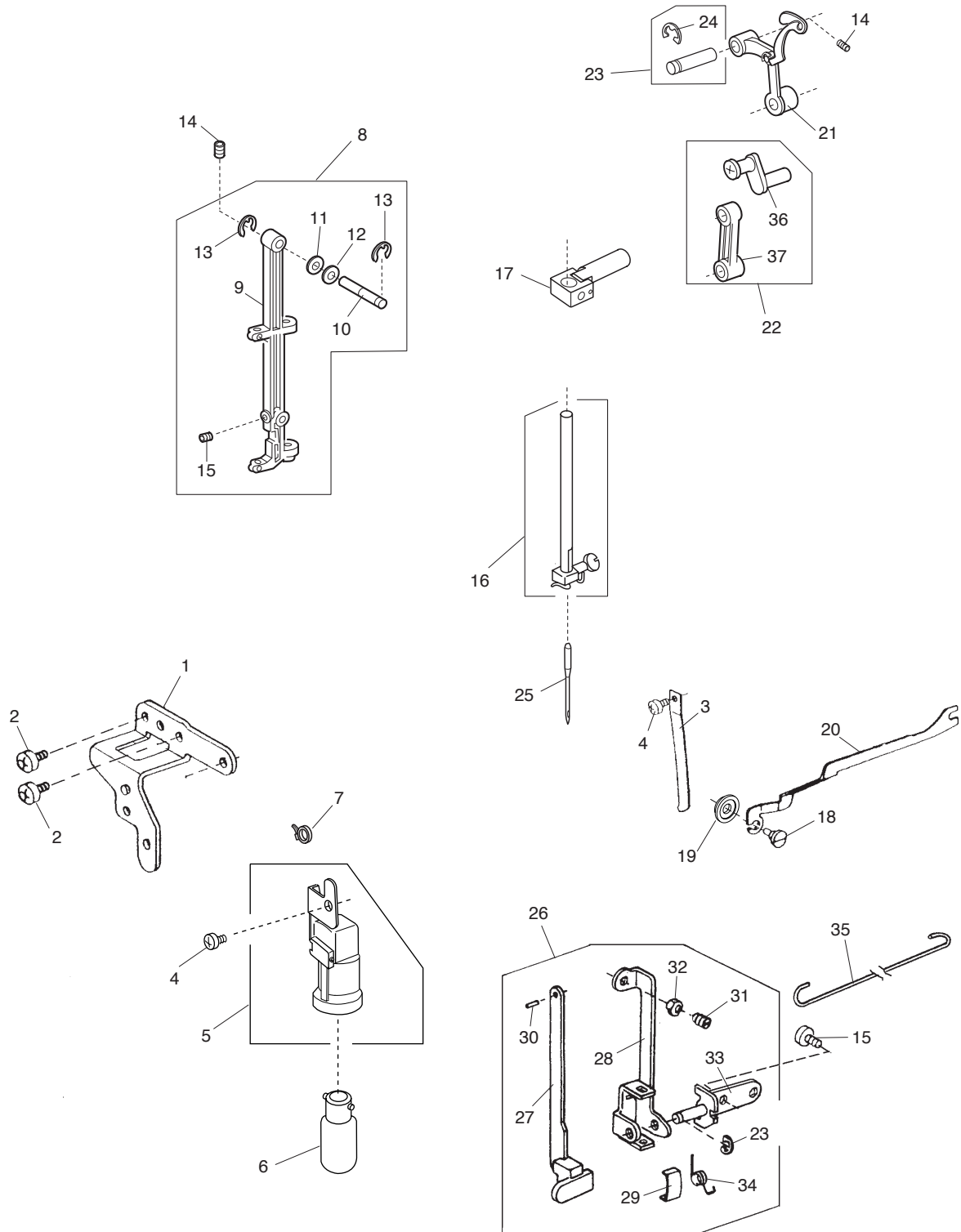
PARTS LIST



PARTS LIST

KEY NO.	PARTS NO.	DESCRIPTION
1	305604004	Presser bar base plate (unit)
2	735221008	Presser bar base plate
3	735222009	Needle drop adjusting plate
4	000101404	Setscrew 4x6
5	735025000	Needle bar supporter stopper
6	000138307	Bolt 4x8
7	735026001	Presser bar
8	735027002	Presser bar spring
9	735028003	Presser bar bracket
10	000111500	Hexagonal socket screw 4x8
11	735029004	Presser foot lifter
12	000001609	Snap ring E-5
13	735030008	Tension release lever
14	000013903	Snap ring CS-5
15	000081005	Setscrew 4x8
16	000070506	Washer
17	301612003	Presser foot (unit)
18	660106001	Setscrew
19	304610000	Tension release arm (unit)
20	739017001	Tension release arm base
21	304045008	Tension release arm
22	739019003	Tension release spring
23	000002105	Snap ring E-3
24	304603000	Tension assembly
25	000103808	Setscrew 3x5
26	304008009	Top cover thread guide
27	000101703	Setscrew 4x12
28	611510000	Foot holder (unit)
29	301505002	Zigzag foot (unit)
30	740613007	BH lever base (unit)
31	740050000	BH lever base
32	740051001	BH adjusting lever
33	740620018	Presser bar base plate (unit)

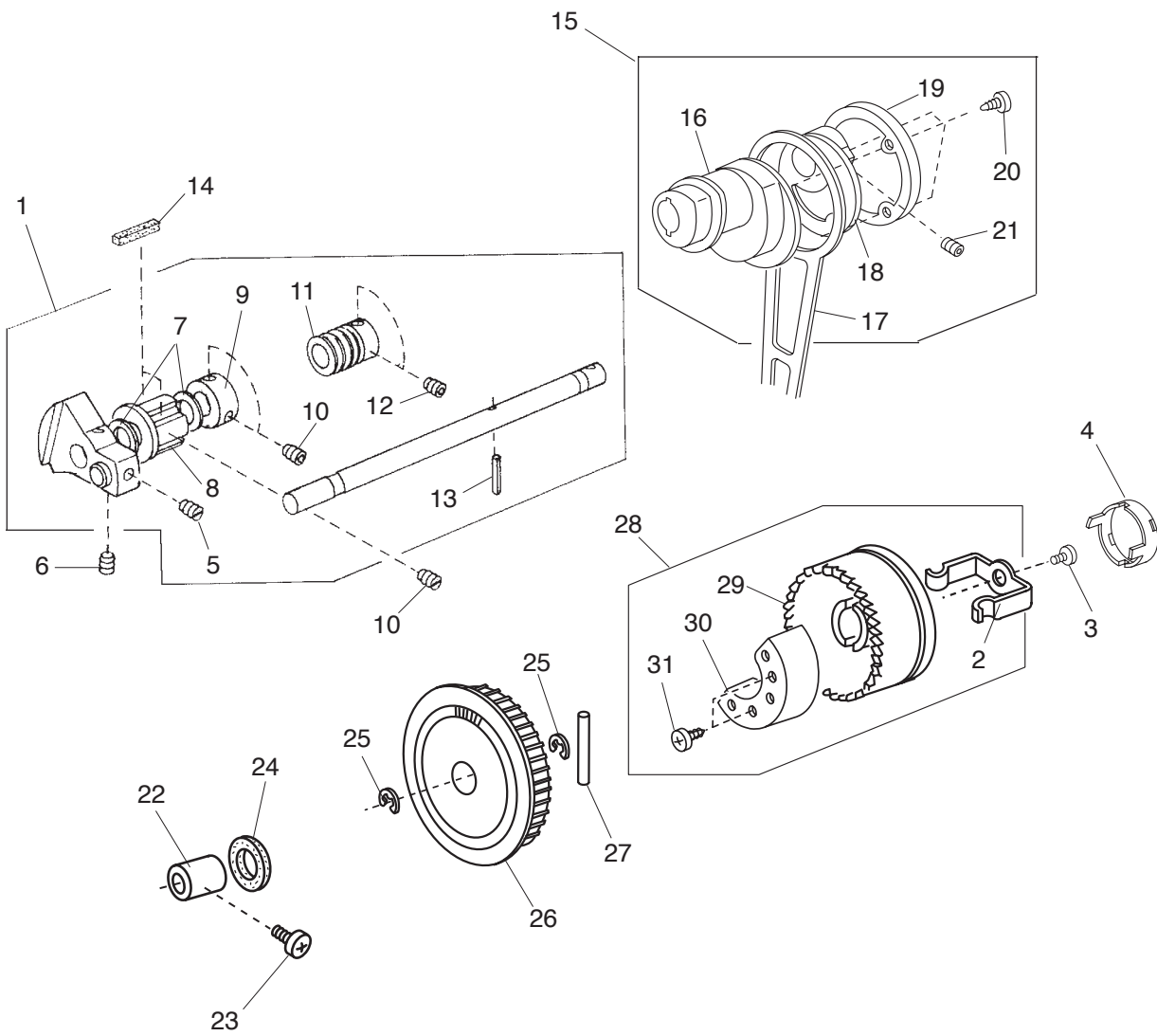
PARTS LIST



PARTS LIST

KEY NO.	PARTS NO.	DESCRIPTION
1	740007013	Face cover set plate
2	000081005	Setscrew 4x8
3	730024004	Needle bar supporter spring
4	000101404	Setscrew 4x6
5	743634003	Lamp socket (unit)
6	000009009	Lamp 240v 15w
7	000053709	Cord tie band
8	301610001	Needle bar supporter (unit)
9	301032003	Needle bar supporter
10	730022002	Needle bar supporter pin
11	673022002	Wave washer
12	000070609	Plain washer
13	000002507	Snap ring E-4
14	000111304	Hexagonal socket screw 5x5
15	000111902	Hexagonal socket screw 3x4
16	730503116	Needle bar (unit)
17	301504104	Needle bar connecting stud (unit)
18	678084007	Eccentric pin
19	748021006	Zigzag rod plain washer
20	735119002	Zigzag rod
21	625506109	Thread take-up lever (unit)
22	743664105	Needle bar crank (unit)
23	731511006	Thread take-up lever pin (unit)
24	000002806	Snap ring E-6
25	102408089	#14 Needle
26	740617001	BH lever (unit)
27	753629109	BH lever (unit)
28	740047004	BH lever supporter
29	753027008	Friction spring
30	000023009	Spring pin
31	000113306	Socket screw 4x10
32	000160102	Adjustable lock nut 4
33	740048005	BH lever base plate
34	740049006	BH lever spring
35	740052002	BH shifting rod
36	735504008	Needle bar crank pin (unit)
37	680032007	Needle bar crank rod

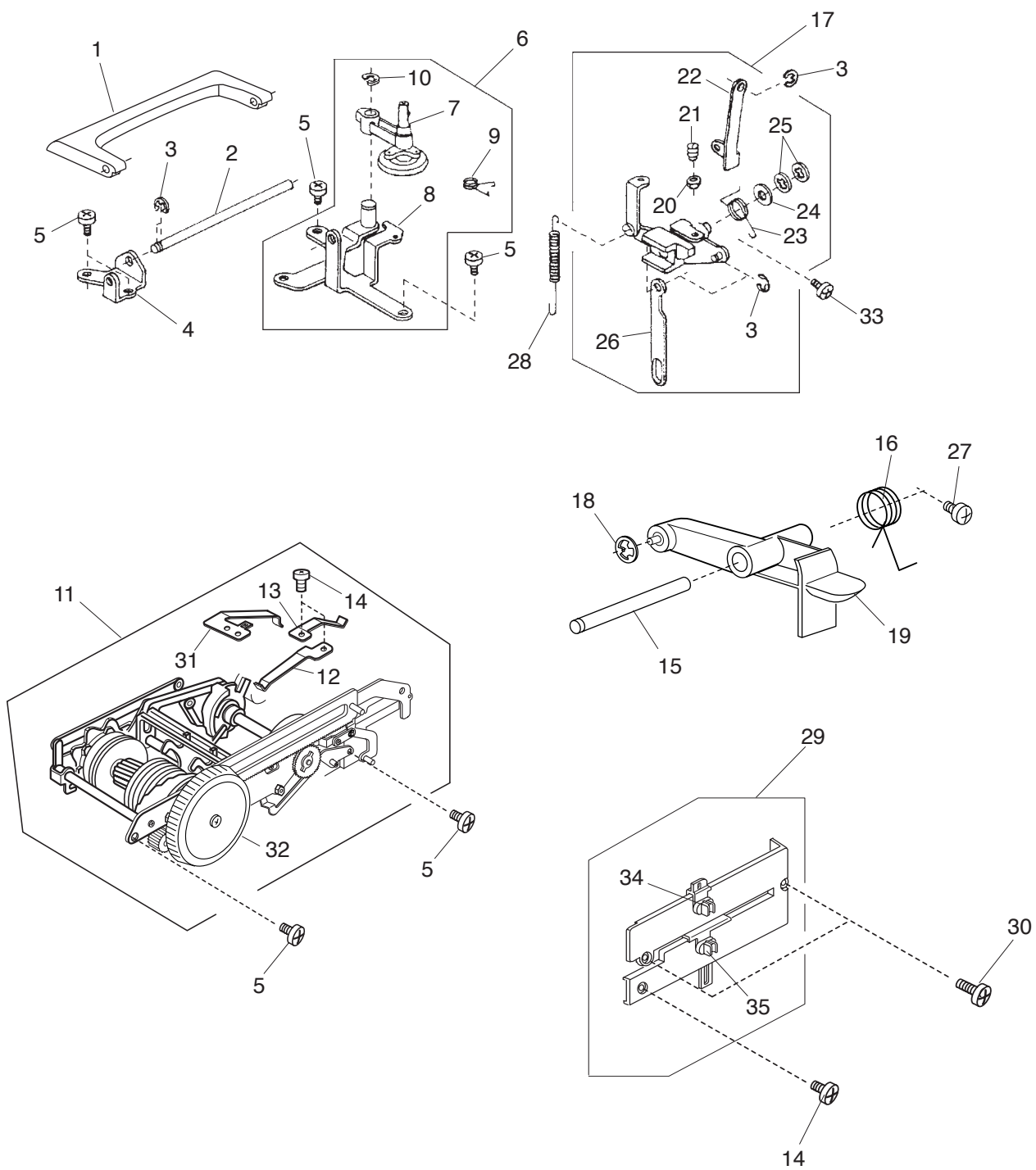
PARTS LIST



PARTS LIST

KEY NO.	PARTS NO.	DESCRIPTION
1	304607004	Upper shaft (unit)
2	639113016	Clutch spring
3	000810005	Setscrew 4x8
4	650070037	Clutch cap
5	102073003	Setscrew
6	761052007	Setscrew
7	000036717	Thrust washer
8	732025001	Upper shaft front bushing
9	639095000	Ring
10	000111304	Hexagonal socket screw 5x5
11	749011109	Worm
12	000111201	Hexagonal socket screw 4x4
13	000022802	Spring pin 2x12
14	731312005	Felt
15	304609006	Crank rod (unit)
16	304042005	Feed cam
17	743011008	Crank rod
18	304044007	Crank cam
19	304043006	Crank cam plate
20	000161309	Tapping screw 3x12
21	000110107	Hexagonal socket screw 5x5
22	732003003	Upper shaft rear bushing
23	000172602	Setscrew 5x8
24	743029009	Felt
25	000030205	Snap ring E-8
26	743019006	Belt wheel
27	000023803	Spring pin
28	304612301	Handwheel (unit)
29	639097242	Handwheel
30	304050006	Balance weight
31	000107802	Tapping screw 3x10 (B)

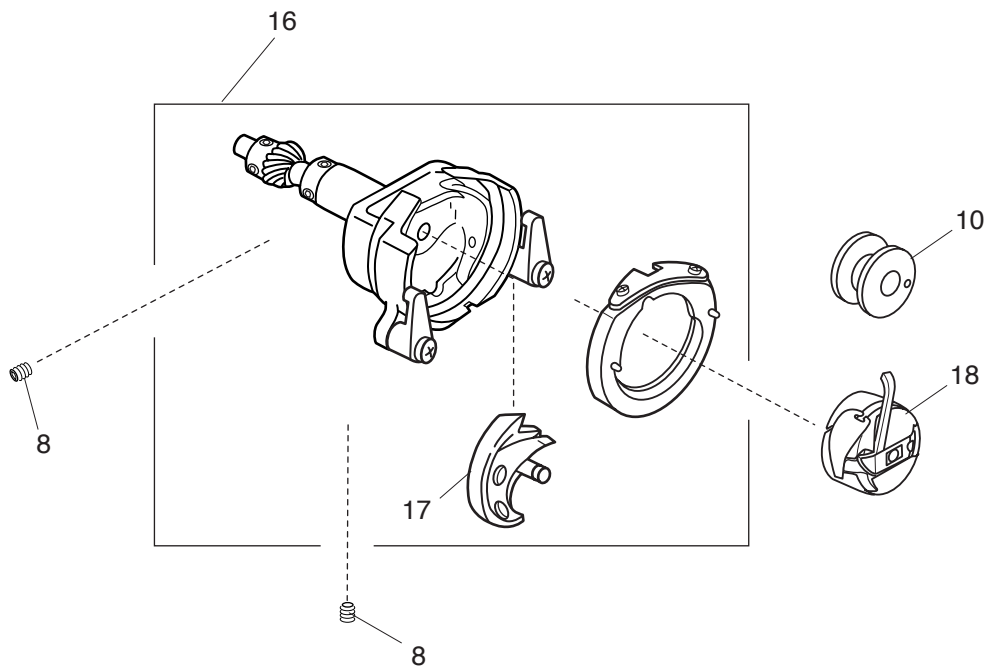
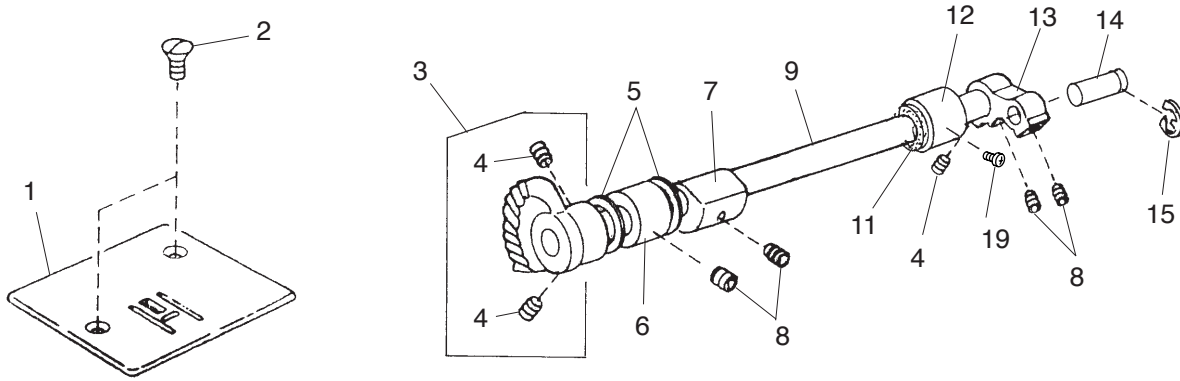
PARTS LIST



PARTS LIST

KEY NO.	PARTS NO.	DESCRIPTION
1	304006007	Handle
2	740011009	Handle shaft
3	000002105	Snap ring E-3
4	740010008	Handle supporter
5	000081005	Setscrew 4x8
6	740602405	Bobbin winder base plate (unit)
7	735501108	Bobbin winder arm (unit)
8	740003101	Bobbin winder base plate
9	740042009	Bobbin winder arm spring
10	000002806	Snap ring E-6
11	304604702	Zigzag mechanism (unit)
12	303028002	Index spring (1)
13	303051004	Index spring (2)
14	000103808	Setscrew 3x5
15	736015000	R button shaft
16	739063002	R button spring
17	304611104	Feed regulator (unit)
18	000014007	Snap ring CS-4
19	304007204	R button
20	000160102	Adjustable lock nut 4
21	648010009	Setscrew
22	739020007	Feed regulating rod
23	735077007	Feed regulating body spring
24	735073003	Plain washer
25	000013800	Snap ring CS-6
26	745052007	Reverse link
27	000101301	Setscrew 5x10
28	740125007	Feed regulator spring
29	304608201	Button base (unit)
30	000081500	Setscrew 3x12
31	303078007	Spring
32	304063002	Pattern indicator plate
33	000172602	Setscrew 5x8
34	304063002	Stitch length button
35	304028201	Stitch width button

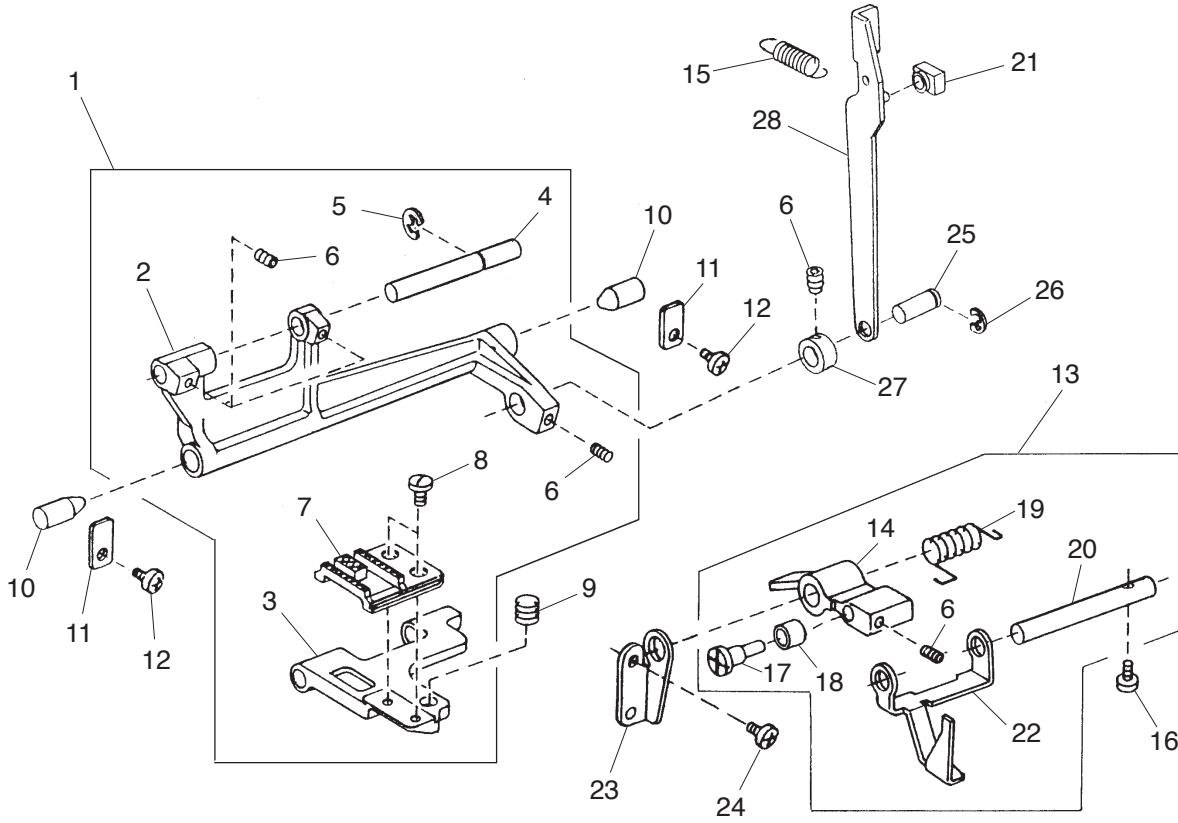
PARTS LIST



PARTS LIST

KEY NO.	PARTS NO.	DESCRIPTION
1	744004001	Needle plate
2	681009101	Setscrew
3	735950003	Lower shaft gear (unit)
4	000110107	Hexagonal socket screw 5x5WP
5	000036201	Washer 8-0.5
6	735233003	Bushing
7	735061101	Feed lifting cam
8	000111304	Hexagonal socket screw 5x5
9	735236006	Lower shaft
10	102261000	Bobbin
11	822070003	Felt
12	735234004	Bushing
13	639036003	Lower shaft crank arm
14	639037004	Pin
15	000001609	Snap ring E-5
16	735610101	Shuttle race body (unit)
17	532096007	Shuttle hook
18	647515006	Bobbin case (unit)
19	000172602	Setscrew 5x8

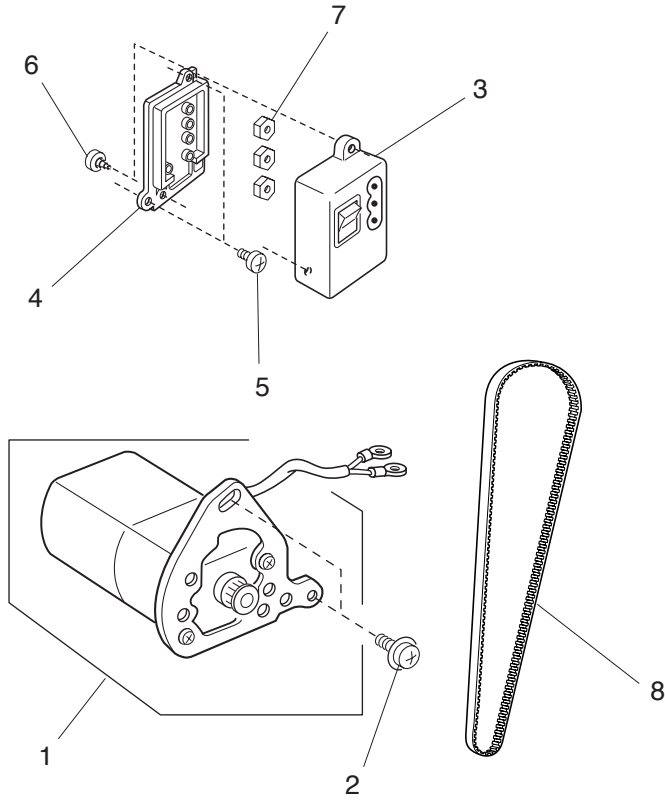
PARTS LIST



PARTS LIST

KEY NO.	PARTS NO.	DESCRIPTION
1	735612000	Feed rock shaft (unit)
2	735078008	Feed rock shaft
3	735079009	Feed bar
4	735080003	Feed bar shaft
5	000002507	Snap ring E-4
6	000111201	Hexagonal socket screw 4x4
7	735081004	Feed dog
8	735082005	Setscrew
9	735083006	Feed bar spring
10	735084007	Feed rock shaft center
11	735085008	Feed rock shaft center plate
12	000101404	Setscrew 4x6
13	301609007	Feed lifting arm (unit)
14	301027005	Feed lifting arm
15	743013000	Feed rod spring
16	000097200	Setscrew 4x12
17	735087000	Feed lifting pin
18	735088001	Feed lifting roller
19	730061003	Feed lifting spring
20	735090006	Feed lifting shaft
21	102141003	Feed regulator slide block
22	740013001	Drop feed selecting plate
23	739022009	Feed lifting shaft holder
24	000081119	Setscrew 4x6
25	735071104	Feed rock shaft connecting pin
26	000002806	Snap ring E-6
27	735276008	Ring
28	743012009	Feed rod

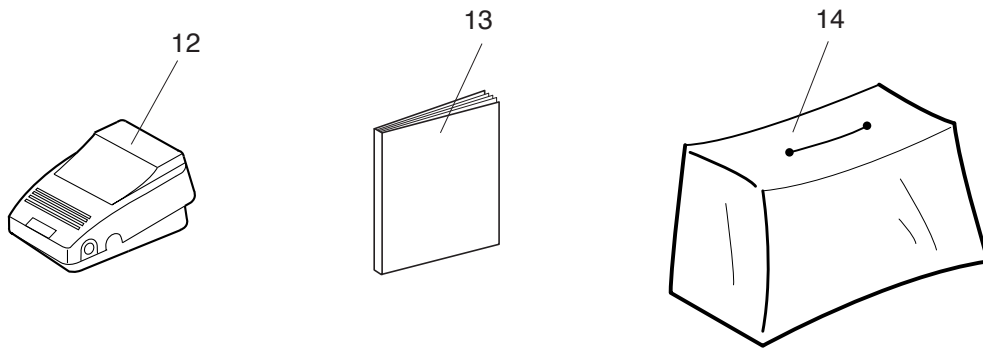
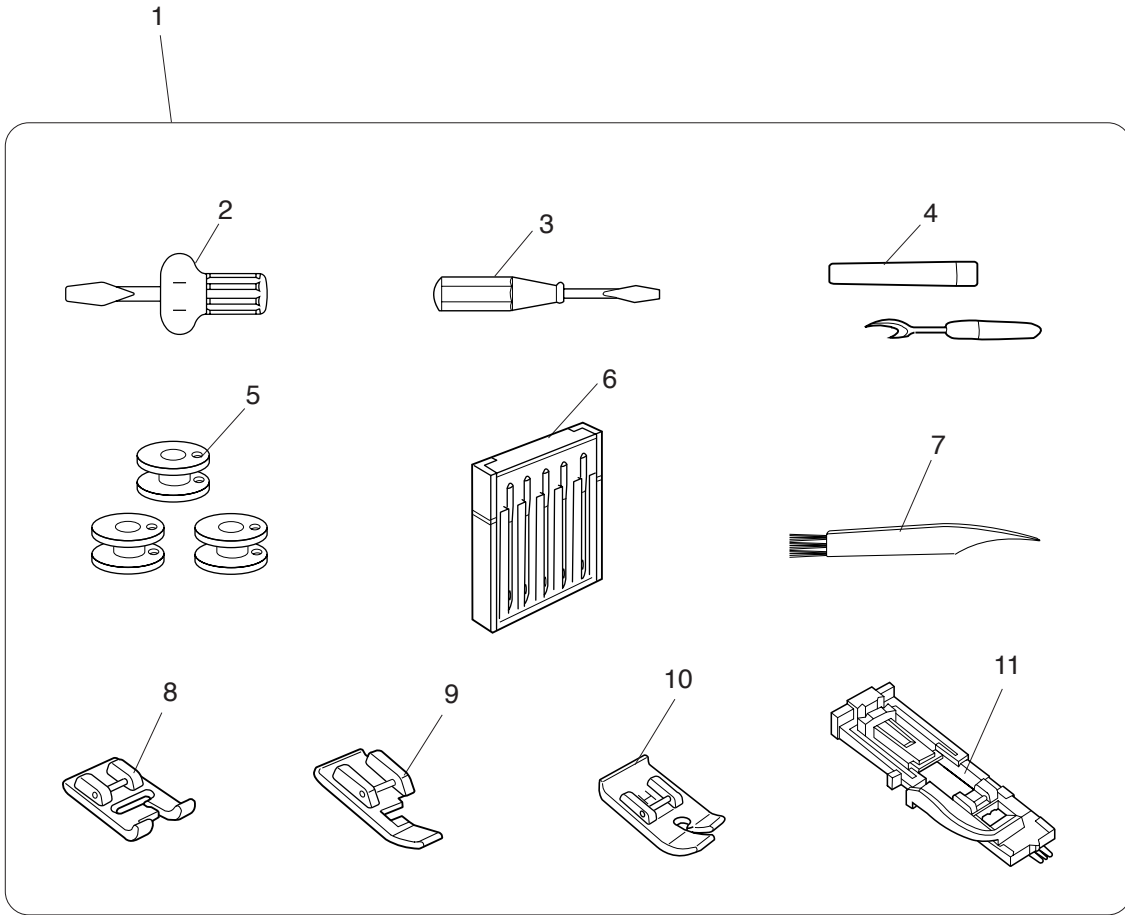
PARTS LIST



PARTS LIST

KEY NO.	PARTS NO.	DESCRIPTION
1	743611004	Motor (unit)
2	000201209	Setscrew 5x12
3	739503308	Machine socket (unit)
4	739037007	Machine socket cover
5	000103509	Setscrew 4x10
6	000107802	Setscrew 3x10
7	000060802	Nut
8	650166019	Motor timing belt

PARTS LIST



PARTS LIST

KEY NO.	PARTS NO.	DESCRIPTION
1	304870309	Accessory set
2	820832005	Screw driver (Large)
3	647803004	Screw driver (Small)
4	647808009	Buttonhole opener
5	102261000	Bobbin
6	540401026	Needle set
7	802424004	Brush
8	737801015	Buttonhole foot
9	611406002	Zipper foot
10	731806001	Straight stitch foot
11	740801004	Buttonhole foot (unit)
12	042870308	Foot control
13	304800283	Instruction book
14	741811000	Cover