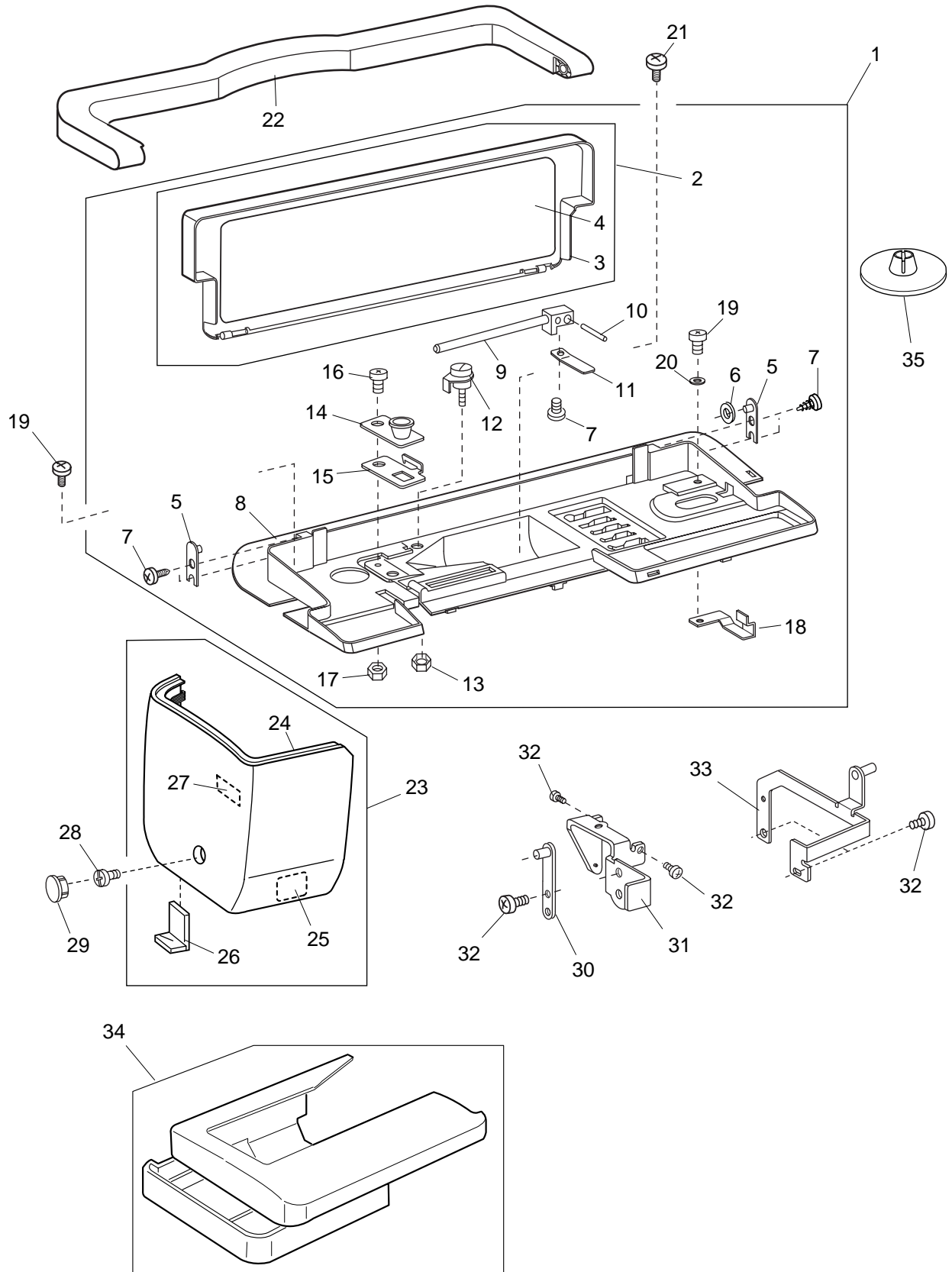


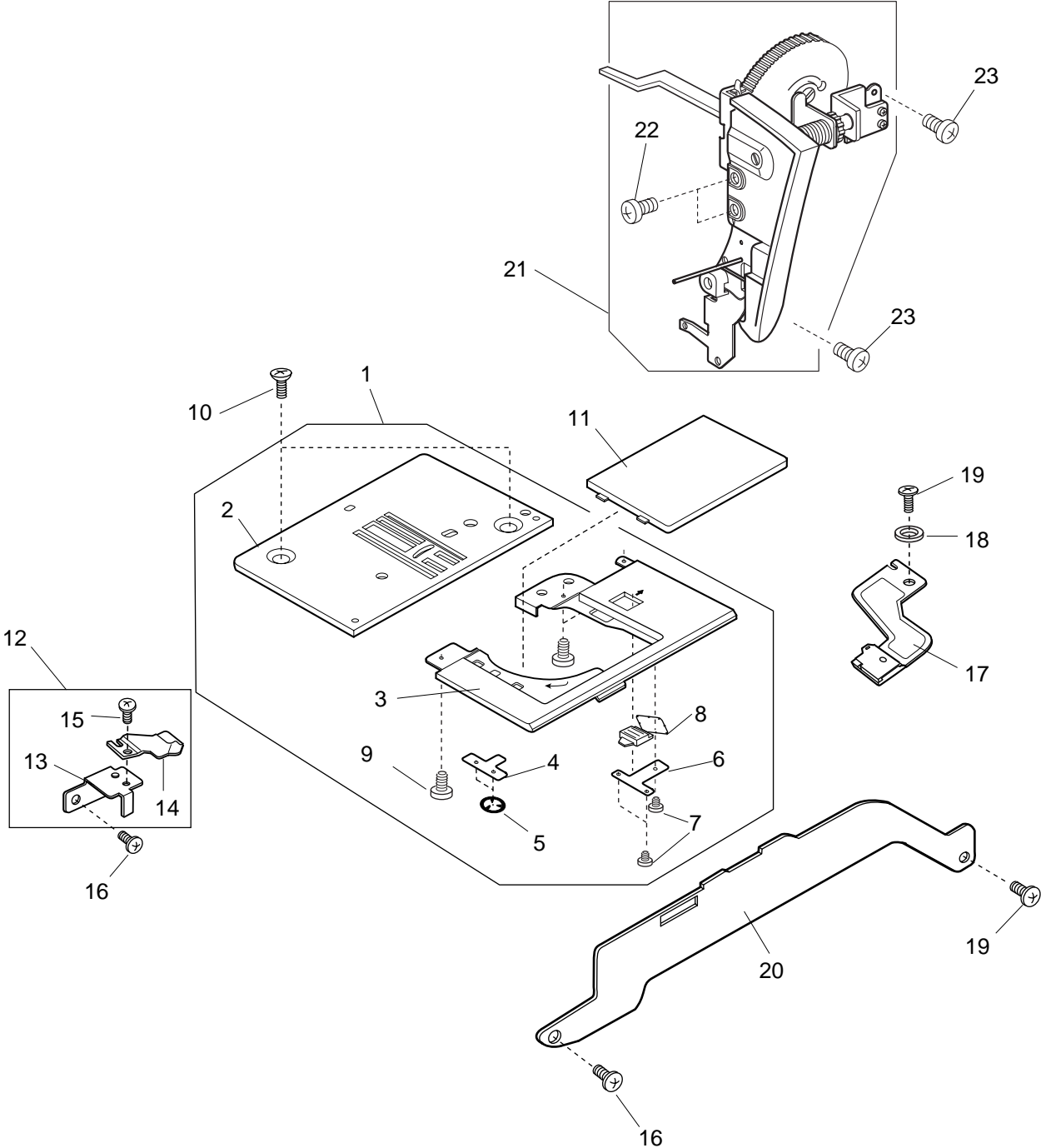
# PARTS LIST



# PARTS LIST

KEY	PARTS	DESCRIPTION
NO.	NO.	
1	503603003	TOP COVER COMPLETE UNIT
2	503604004	TOP COVER UNIT
3	503009003	TOP COVER LID
4	503010007	REFERENCE CHART
5	830013003	TOP COVER HINGE
6	830190005	WASHER
7	000120214	SETSCREW 3X8
8	503011008	TOP COVER
9	822016609	SPOOL PIN
10	822018003	SPOOL PIN SHAFT
11	822018003	SPOOL PIN SPRING
12	730501011	THREAD GUIDE PLATE UNIT
13	000160102	ADJUSTABLE LOCKNUT 4
14	753502002	TOP COVER THREAD GUIDE UNIT
15	840138006	TOP COVER THREAD GUIDE
16	639093006	FLAT SCREW
17	000062701	HEXAGONAL NUT
18	503144001	BOBBIN WINDER STOPPER
19	000078342	SETSCREW 3X6
20	000070230	PLANE WASHER 3
21	000103417	SETSCREW 4X8
22	503605005	CARRYING HANDLE UNIT
23	503606006	FACE PLATE UNIT
24	503015105	FACE PLATE
25	366076000	STICKER
26	840602006	THREAD CUTTER UNIT
27	100411207	LAMP STICKER
28	000103509	SETSCREW 4X10
29	653006101	CAP
30	503014001	HANDLE BRACKET FRONT-2
31	503025005	HANDLE BRACKET FRONT
32	000081005	SETSCREW 4X8
33	503104009	HANDLE BRACKET REAR
34	503506005	EXTENSION TABLE UNIT
35	822020503	SPOOL HOLDER LARGE

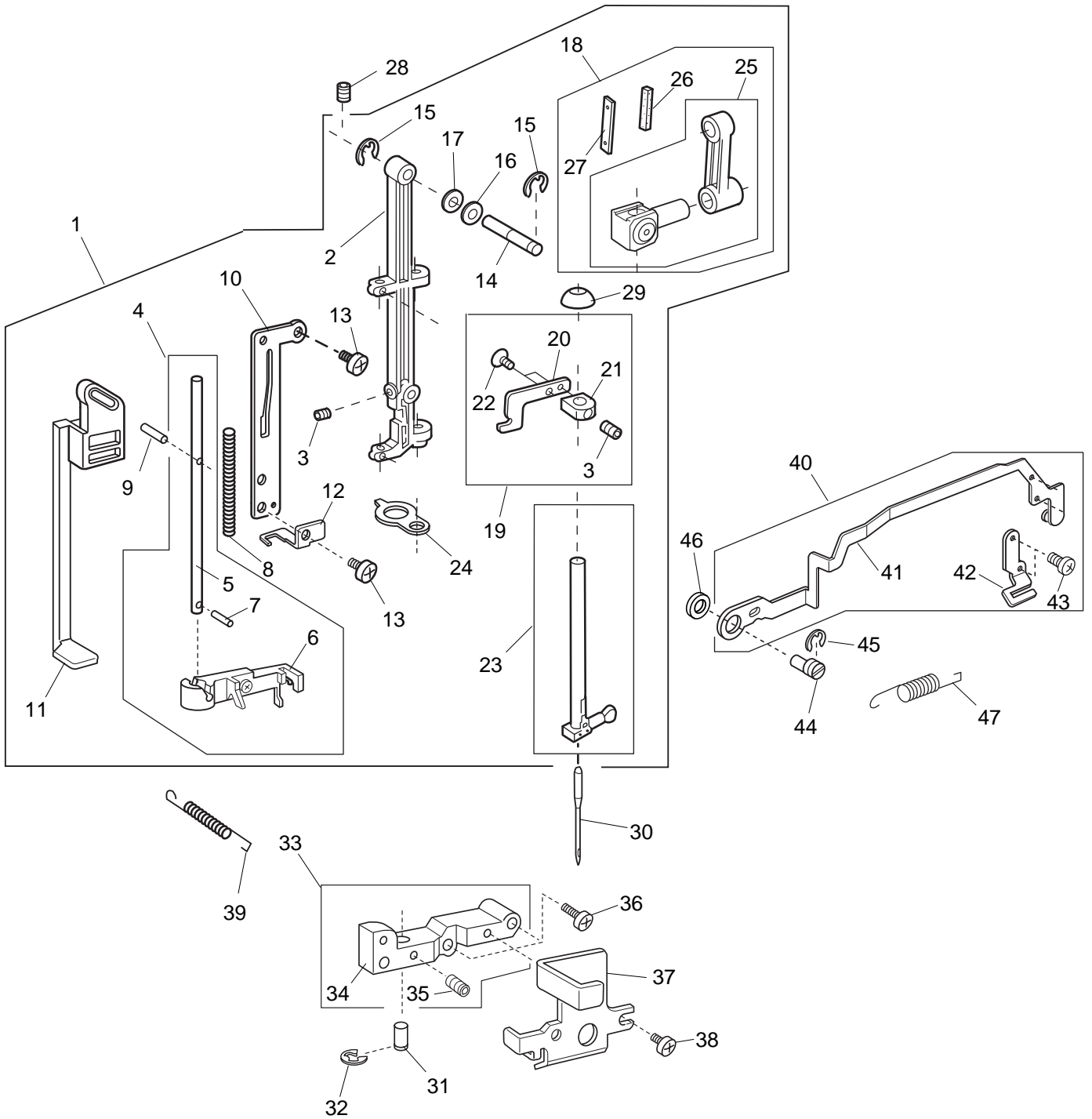
# PARTS LIST



# PARTS LIST

KEY	PARTS	DESCRIPTION
NO.	NO.	
1	503601001	NEEDLE PLATE UNIT
2	503006000	NEEDLE PLATE
3	502014008	SUB NEEDLE PLATE
4	502015009	HOOK COVER PLATE HOLDER SPRING
5	000015503	SNAP RING CS 2.4
6	502202005	HOOK COVER PLATE HOLDING PLATE
7	000130103	TAPPING SCREW 1.7 X 3
8	502016000	HOOK COVER PLATE RELEASE BUTTON
9	000096911	SETSCREW 2 X 3.5
10	502213009	SETSCREW
11	502017104	HOOK COVER PLATE
12	503630009	BOBBIN HOLDER STOPPER UNIT
13	503141008	BOBBIN HOLDER STOPPER SET PLATE
14	502018002	BOBBIN HOLDER STOPPER
15	000101105	SETSCREW 3 X 4
16	000101404	SETSCREW 4 X 6
17	503602002	SHUTTLE HOOK STOPPER UNIT
18	000071013	WASHER
19	810220003	SETSCREW
20	503008002	NEEDLE PLATE FIXING PLATE
21	503638007	THREAD TENSION REGULATOR UNIT
22	000101105	SETSCREW 3 X 4
23	000081005	SETSCREW 4 X 8

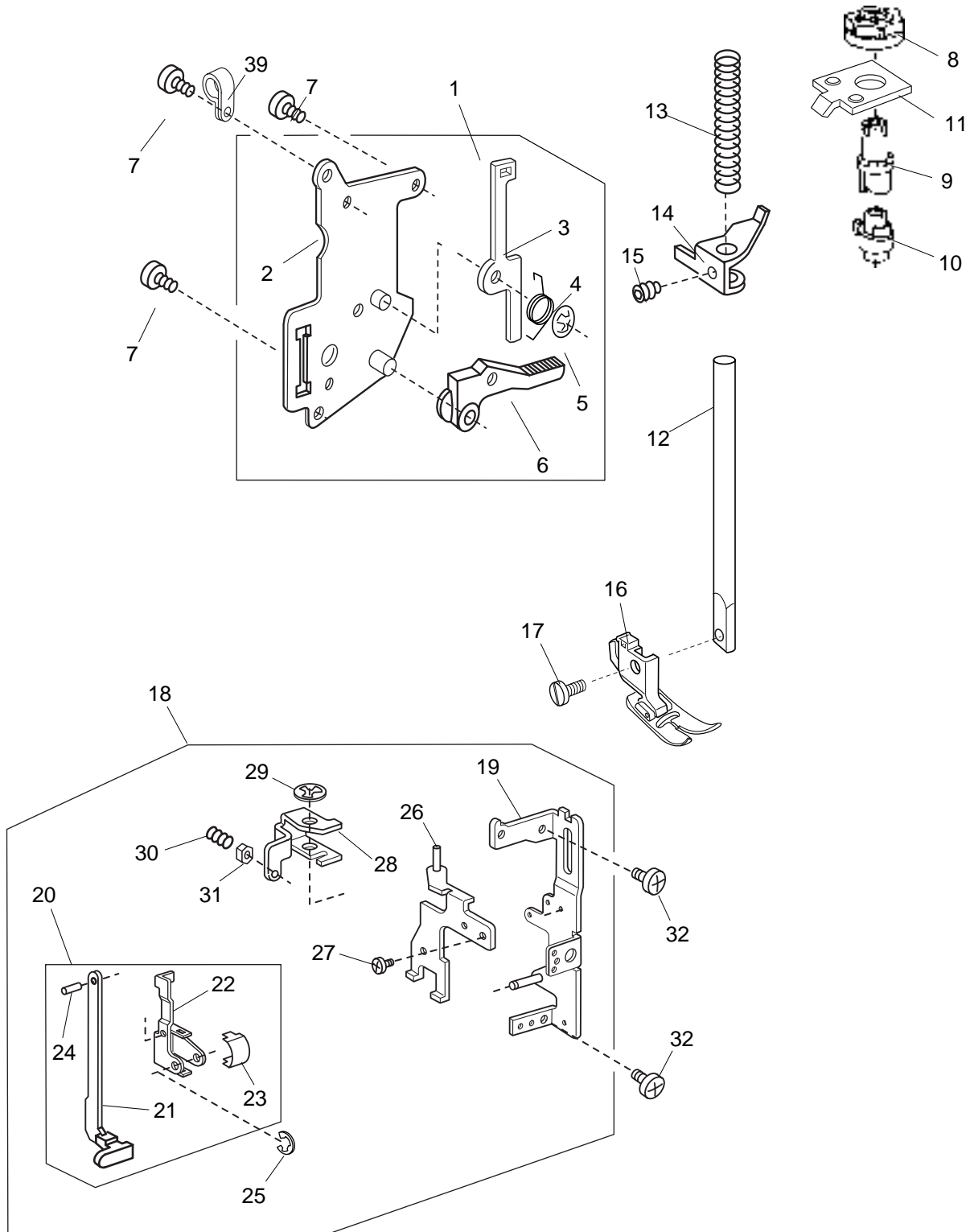
# PARTS LIST



# PARTS LIST

KEY PARTS		DESCRIPTION
NO.	NO.	
1	840647209	NEEDLE BAR SUPPORTER UNIT
2	827026010	NEEDLE BAR SUPPORTER
3	000111902	HEXAGONAL SOCKET SCREW 3 X 4
4	840646002	NEEDLE THREADER SHAFT UNIT
5	840036003	NEEDLE THREADER SHAFT
6	755643002	NEEDLE THREADER PLATE UNIT
7	000003508	SPRING PIN 2 X 8
8	840035002	NEEDLE THREADER SPRING
9	000125105	PIN
10	840033000	NEEDLE THREADER FRAME
11	840034001	NEEDLE THREADER LEVER
12	840037004	NEEDLE THREADER LEVER GUIDE
13	000078319	SETSCREW 3 X 6
14	503042008	NEEDLE BAR SUPPORTER PIN
15	000002507	SNAP RING E-4
16	000070609	WASHER
17	673022002	WASHER
18	653612003	NEEDLE BAR CONNECTING STUD COMPLETE UNIT
19	734625003	THREADER POSITION SET PLATE UNIT
20	734101008	THREADER POSITION SET PLATE
21	734102009	THREADER POSITION SET HOLDER
22	000097602	SETSCREW 2 X 4
23	653503103	NEEDLE BAR UNIT
24	829027006	SUPPORTER GUIDE PLATE
25	653504001	NEEDLE BAR CONNECTING STUD COMPLETE UNIT
26	650040005	FELT
27	650041006	FELT SET SPRING
28	000111201	HEXAGONAL SOCKET SCREW 4 X 4
29	827098002	WASHER
30	102408089	NEEDLE HA1 - 14
31	827083004	SUPPORTER GUIDE PIN
32	000002105	SNAP RING E-3
33	503645007	SUPPORTER ADJUSTING PLATE UNIT
34	503023003	SUPPORTER ADJUSTING PLATE
35	000216805	HEXAGONAL SOCKET SCREW 3X3
36	000093309	SETSCREW 4X14
37	503024004	ARM THREAD GUIDE
38	000078319	SETSCREW 3X6
39	845020009	NEEDLE BAR SUPPORTER SPRING
40	503647009	ZIGZAG WIDTH ROD FRONT UNIT
41	503086004	ZIGZAG WIDTH ROD FRONT
42	503162005	ZIGZAG WIDTH ADJUSTING PLATE PIN GUIDE
43	000103808	SETSCREW 3X5
44	502174007	ECCENTRIC PIN
45	000002806	SNAP RING E-6
46	503163006	ECCENTRIC PIN WASHER
47	502175008	NEEDLE BAR SUPPORTER SPRING

# PARTS LIST

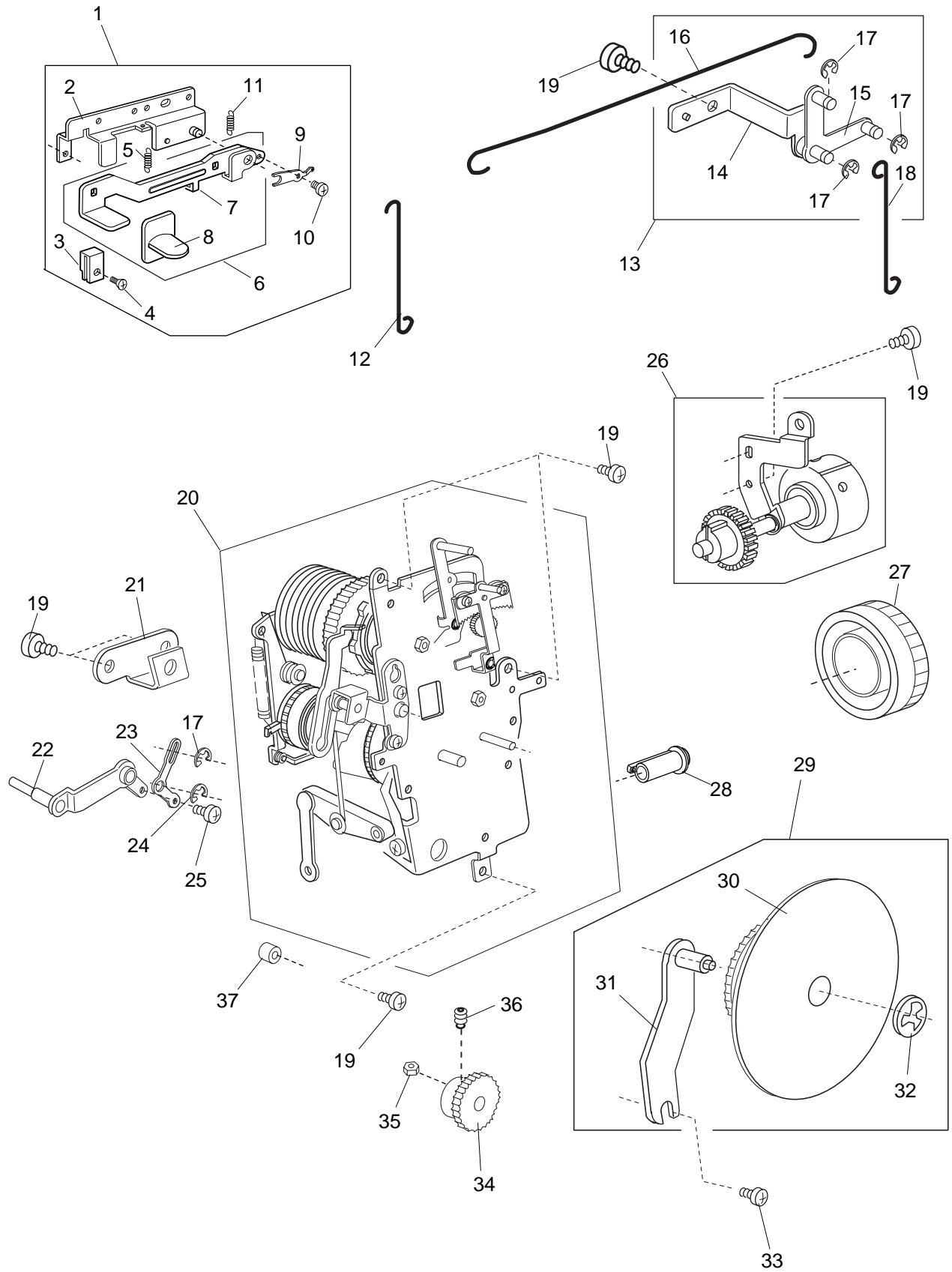


# PARTS LIST

KEY NO.	PARTS NO.	DESCRIPTION
1	503607007	PRESSER BASE PLATE UNIT
2	503016003	PRESSER BASE PLATE
3	502023000	TENSION RELEASING LEVER
4	503041007	TENSION RELEASING SPRING
5	000014007	SNAP RING CS 4
6	502024001	PRESSER BAR LIFTER
7	000081005	SETSCREW 4 X 8
8	822065005	PRESSER DIAL
9	686027007	PRESSURE ADJUSTING CAM (1)
10	686028008	PRESSURE ADJUSTING CAM (2)
11	503017004	PRESSURE ADJUSTING CAM HOLDER
12	102801008	PRESSER BAR
13	840129004	SPRING
14	502026003	PRESSER BAR SUPPORTER
15	000111500	HEXAGONAL SOCKET SCREW 4 X 8
16	660508007	PRESSER FOOT UNIT
17	763048006	SETSCREW
18	503636005	FRONT BASE PLATE UNIT
19	503018005	FRONT BASE PLATE
20	503609009	BH LEVER UNIT
21	502608005	BH LEVER UNIT
22	503019006	BH LEVER SUPPORTER
23	753027008	FRICTION SPRING
24	000023009	SPRING PIN
25	000001207	SNAP RING E-2.5
26	503020000	TUG ROD LINK (FRONT) HOLDER
27	000103808	SETSCREW 3 X 5
28	503021001	TUG ROD LINK (FRONT)
29	000002105	SNAP RING E-3
30	000113306	SETSCREW
31	000160102	ADJUSTABLE NUT
32	000101404	SETSCREW 4 X 6



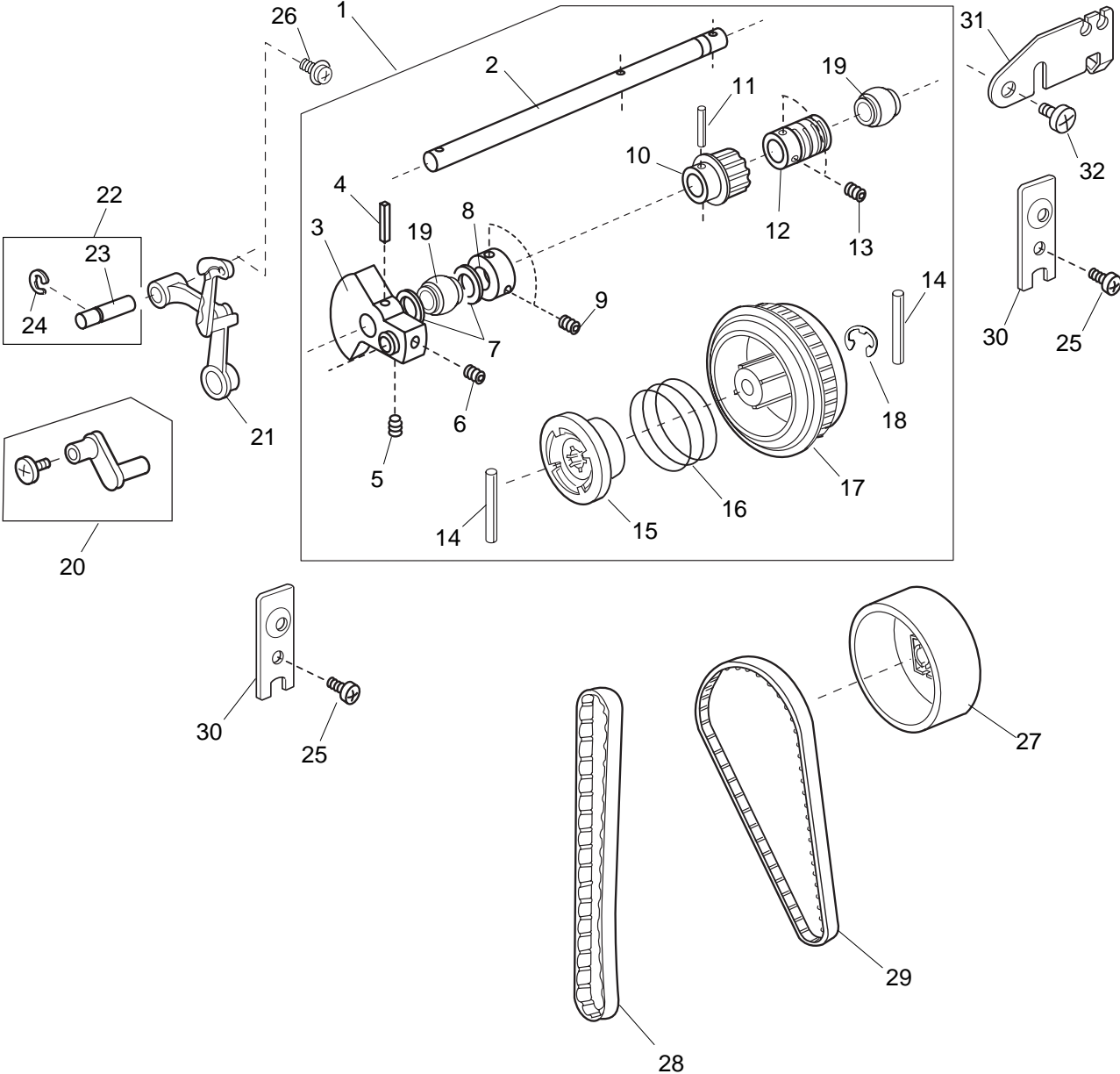
# PARTS LIST



# PARTS LIST

KEY NO.	PARTS NO.	DESCRIPTION
1	503649001	REVERSE LEVER BRACKET UNIT
2	503096007	REVERSE LEVER BRACKET
3	503138002	GUIDE
4	000095105	FLAT SCREW 3X5
5	751083006	REVERSE LEVER SPRING
6	503625001	REVERSE LEVER UNIT
7	503094005	REVERSE LEVER
8	503095109	REVERSE BUTTON
9	503119007	REVERSE LEVER-2
10	000103808	SETSCREW 3X5
11	502167007	ZIGZAG WIDTH REGULATOR SPRING
12	503161004	REVERSE ROD
13	503611004	TUG ROD LINK BRACKET UNIT
14	503034007	TUG ROD LINK BRACKET
15	503035008	TUG ROD LINK
16	503033006	BH TUG ROD
17	000002105	SNAP RING E-3
18	753099012	BH TUG ROD-2
19	000081005	SETSCREW 4X8
20	503642004	CAM BLOCK UNIT
21	503075000	CAM BLOCK SUPPORTING PLATE
22	503084002	ZIGZAG WIDTH ADJUSTING ARM
23	503085003	ZIGZAG WIDTH ADJUSTING PLATE
24	000002507	SNAP RING E-4
25	000101105	SET SCREW 3X4
26	503621007	SELECTOR DIAL SHAFT UNIT
27	503078003	PATTERN SELECTOR DIAL
28	503137001	SS ADJUSTING DIAL
29	503639008	INDICATOR DISK UNIT
30	503153106	INDICATOR DISK
31	503154004	INDICATOR DISK SUPPORTER
32	000014007	SNAP RING CS-4
33	000103808	SETSCREW 3X5
34	503152002	LINK GEAR
35	000060857	HEXAGONAL NUT
36	000112006	HEXAGONAL SOCKET SCREW 3X8
37	740143001	COVER MOUNTING

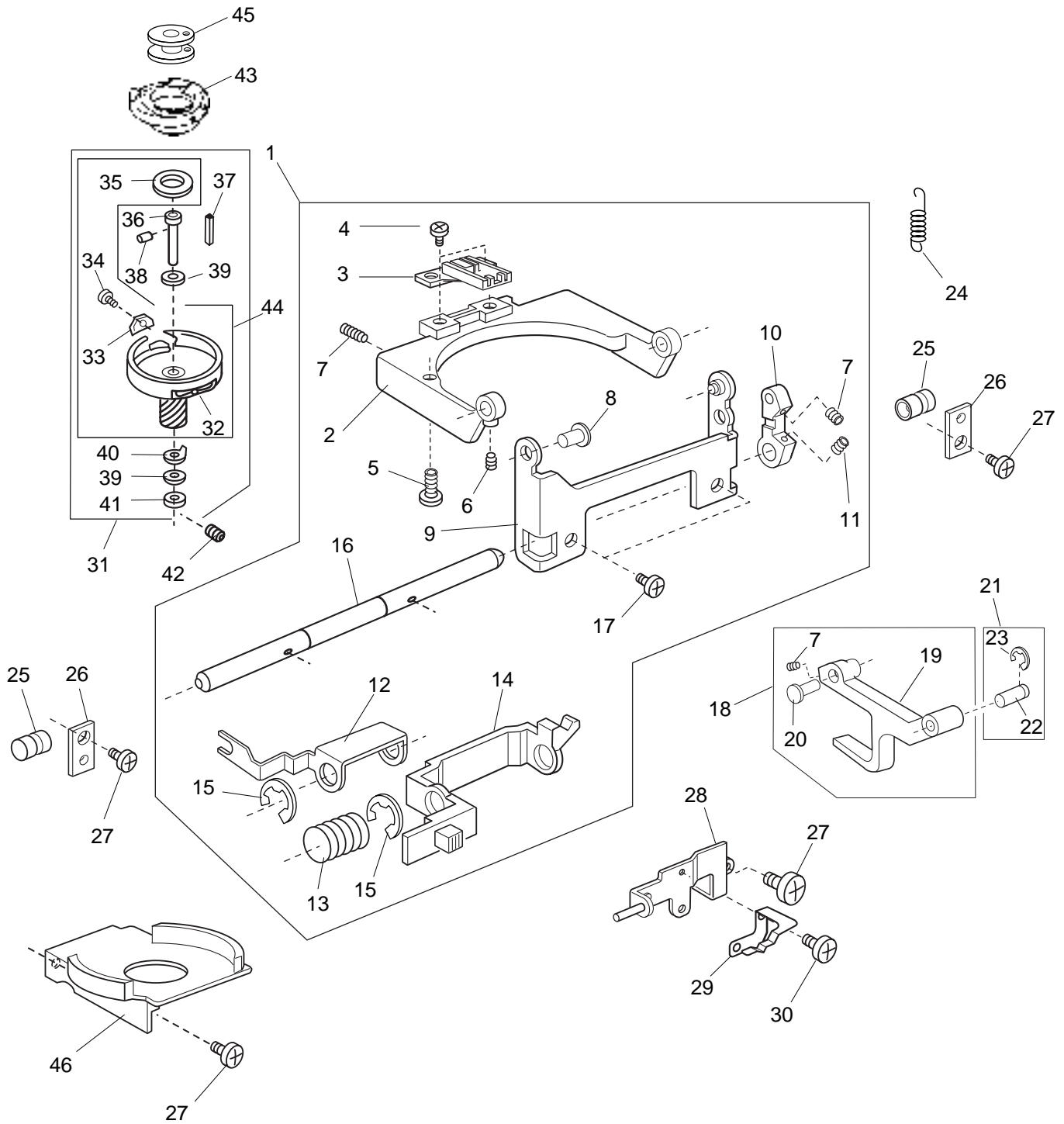
# PARTS LIST



# PARTS LIST

KEY NO.	PARTS NO.	DESCRIPTION
1	503612005	UPPER SHAFT COMPLETE UNIT
2	503036009	UPPER SHAFT
3	627184000	THREAD TAKE-UP CRANK
4	000020707	SPRING PIN 4 X 20
5	102073003	SETSCREW
6	761052007	SETSCREW
7	000038801	WASHER
8	639095000	RING
9	000111304	HEXAGONAL SOCKET SCREW 5 X 5
10	756017004	UPPER SHAFT TIMING GEAR
11	000020501	SPRING PIN 3 X 22
12	650060001	WORM
13	000111201	HEXAGONAL SOCKET SCREW 4 X 4
14	000024206	SPRING PIN 3 X 30
15	502064003	CLUTCH RING
16	502065004	CLUTCH SPRING
17	502066005	BELT WHEEL
18	000030205	SNAP RING E-8
19	502002003	UPPER SHAFT SPHERICAL BUSHING
20	652512009	NEEDLE BAR CRANK PIN UNIT
21	820511108	THREAD TAKE-UP LEVER UNIT
22	503644006	THREAD TAKE-UP LEVER PIN UNIT
23	503113001	THREAD TAKE-UP LEVER PIN
24	000002806	SNAP RING E-6
25	000101301	SETSCREW 5 X 10
26	000114802	SETSCREW TP 4 X 12
27	503037000	HANDWHEEL
28	650071005	TIMING BELT
29	650166008	TIMING BELT
30	502067006	UPPER SHAFT METAL HOLDER
31	503127008	UPPER SHAFT BELT HOLDER
32	000081005	SETSCREW 4 X 8

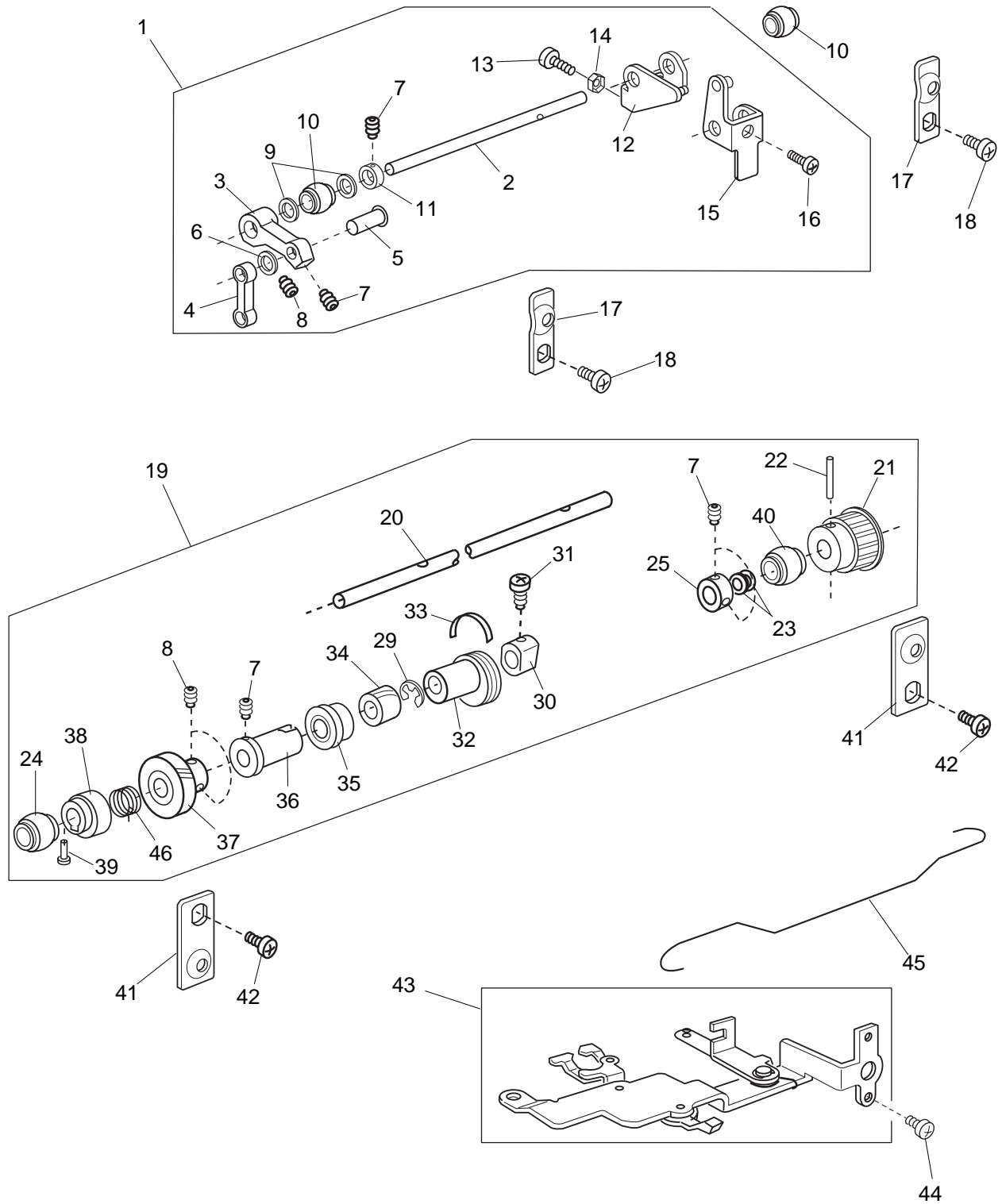
# PARTS LIST



# PARTS LIST

KEY PARTS		DESCRIPTION
NO.	NO.	
1	503686103	HORIZONTAL FEED SHAFT UNIT
2	503044000	HORIZONTAL FEED PLATE
3	840005003	FEED DOG
4	000101507	SETSCREW 3.5 X 5
5	502077009	FEED ADJUSTING SCREW
6	000111902	HEXAGONAL SOCKET SCREW 3 X 3
7	000111201	HEXAGONAL SOCKET SCREW 4 X 4
8	503114002	LINK PIN
9	502079207	HORIZONTAL FEED PLATE SUPPORTER
10	503045001	FEED ARM
11	000110901	HEXAGONAL SOCKET SCREW 5 X 4
12	503168001	DROP LEVER
13	502084009	SLIDING PLATE SPRING
14	502085000	FEED DOG DOWN LEVER
15	000002806	SNAP RING E-6
16	503047003	FEED SHAFT
17	000103509	SETSCREW 4 X 10
18	503635004	FORKED ROD UNIT
19	503048004	FORKED ROD
20	503140007	PIN (2)
21	503648000	CONNECTING PIN UNIT
22	650087004	CONNECTING PIN
23	000002507	SNAP RING E-4
24	503142009	SPRING
25	502089004	STRAIGHT CENTER
26	735085008	CENTER HOLDING PLATE
27	000101404	SETSCREW 4 X 6
28	503049005	GUIDE PLATE
29	503132006	LEVER PLATE SPRING
30	000101105	SETSCREW 3 X 4
31	502667002	HOOK UNIT
32	650950100	SHUTTLE BODY UNIT
33	627189005	NEEDLE GUARD
34	820373003	SETSCREW 2 X 3
35	627190010	HOOK RACE MAGNET
36	820123006	HOOK DRIVER SHAFT
37	820124007	HOOK SHAFT OIL FELT (1)
38	820125008	HOOK SHAFT OIL FELT (2)
39	000038409	WASHER
40	627192001	WASHER
41	625102008	WASHER
42	000111304	HEXAGONAL SOCKET SCREW 5 X 5
43	627569106	BOBBIN HOLDER UNIT
44	652623004	HOOK UNIT
45	102261000	BOBBIN
46	502071003	GEAR COVER

# PARTS LIST

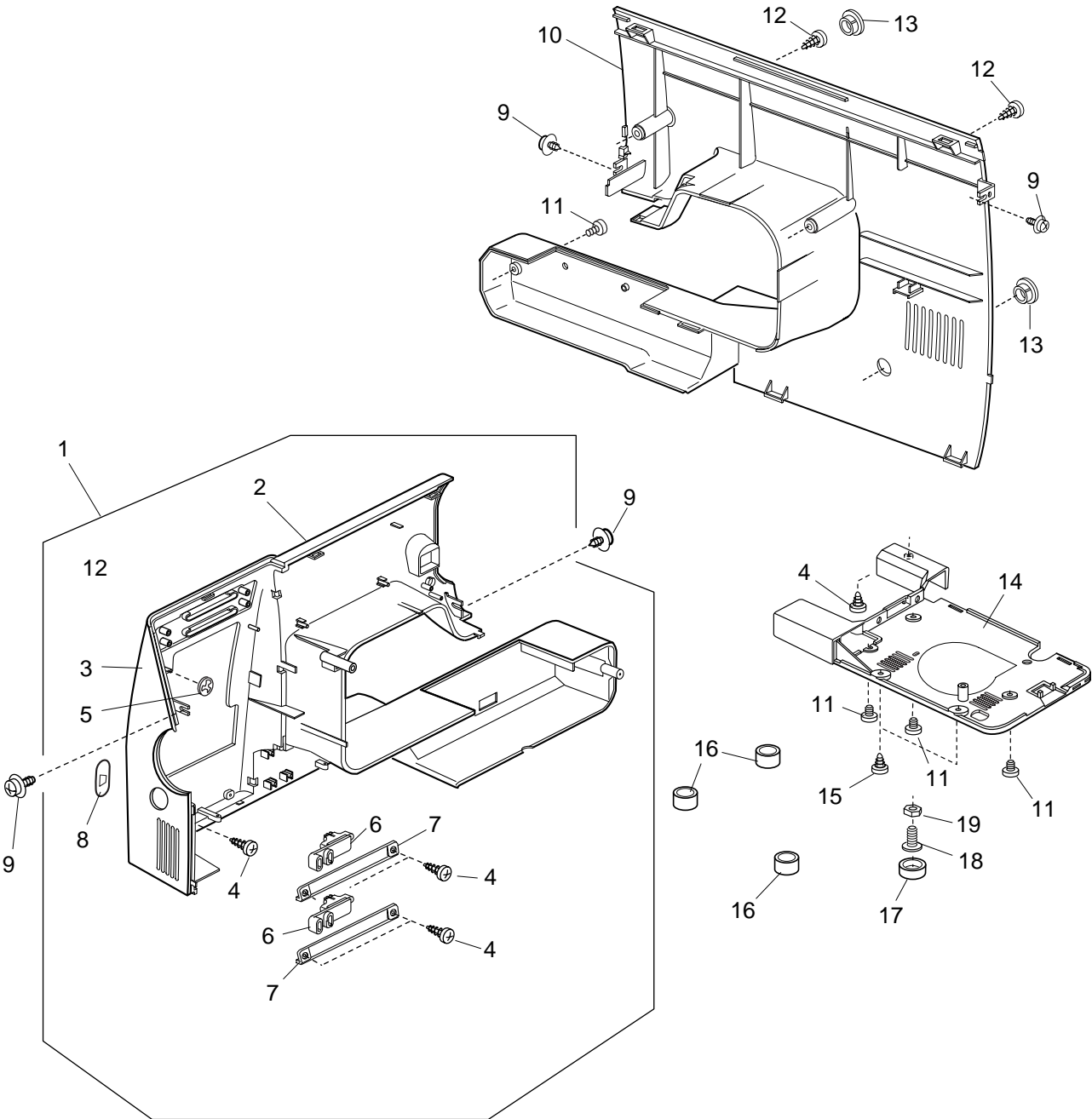


# PARTS LIST

KEY NO.	PARTS NO.	DESCRIPTION
1	503616009	FEED REGULATOR SHAFT UNIT
2	503051000	FEED REGULATOR SHAFT
3	502093001	FEED REGULATOR LINK
4	650087004	FEED REGULATOR ROD
5	820144003	FEED REGULATOR LINK PIN (UPPER)
6	000036407	WASHER
7	000111201	HEXAGONAL SOCKET SCREW 4X4
8	000111304	HEXAGONAL SOCKET SCREW 5X5
9	000038409	WASHER
10	502003004	SPHERICAL BUSHING (FEED)
11	820387000	RING
12	503111009	FEED REGULATOR SHAFT ARM
13	000104706	SETSCREW 4X6
14	000160102	ADJUSTABLE LOCK NUT
15	503112000	FEED REGULATOR SHAFT PLATE
16	000100403	SETSCREW 3X14
17	502096004	FEED METAL HOLDER
18	000081005	SETSCREW 4X8
19	503613017	LOWER SHAFT UNIT
20	503038115	LOWER SHAFT
21	650073007	LOWER SHAFT TIMING GEAR
22	000004200	SPRING PIN 3X18
23	000038502	WASHER
24	732034003	LOWER SHAFT BUSHING
25	820166001	LOWER SHAFT RING
26		NOT APPLICABLE
27		NOT APPLICABLE
28		NOT APPLICABLE
29	000002806	SNAP RING E-6
30	650074008	FEED CAM RING
31	000121606	TAPPING SCREW 3X12
32	625120105	FEED CAM
33	627207000	FEED CAM SPRING
34	756019006	REVERSE FEED RING-1
35	456020000	REVERSE FEED RING-2
36	756021001	RING
37	650095002	LOWER SHAFT GEAR
38	503165008	FEED LIFTING CAM
39	820161006	FEED LIFTING PIN
40	732034003	LOWER SHAFT BUSHING
41	502204007	LOWER SHAFT METAL HOLDER
42	000101301	SETSCREW 4X6
43	503617000	BH ADJUSTING PLATE UNIT
44	810220003	SETSCREW
45	503052001	FEED CONVERTER ROD
46	503167000	FEED LIFTING CAM SPRING



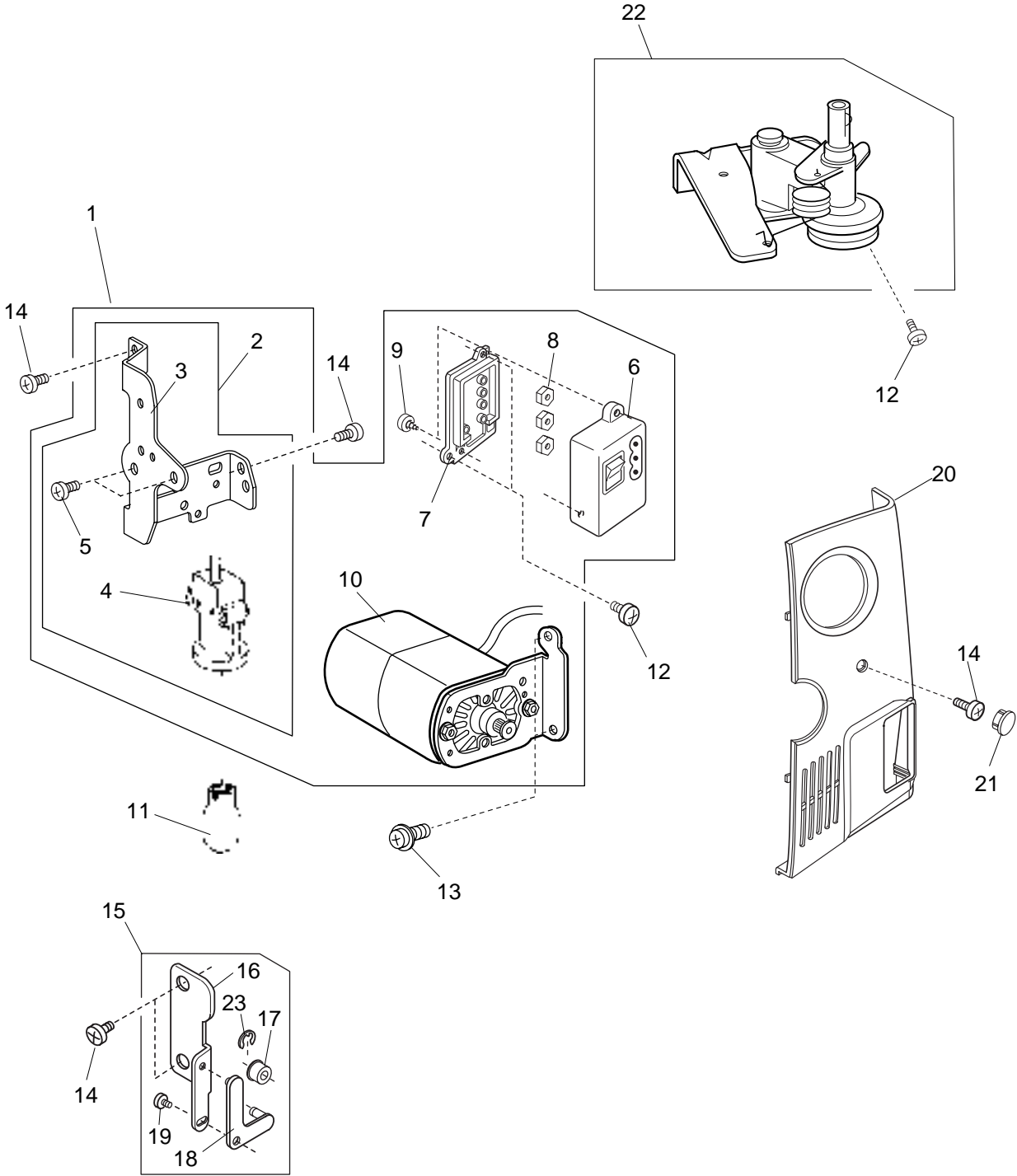
# PARTS LIST



# PARTS LIST

KEY	PARTS	DESCRIPTION
NO.	NO.	
1	503640002	FRONT COVER UNIT
2	503091116	FRONT COVER
3	503155108	ORNAMENT PLATE
4	000120203	SETSCREW 3X8
5	000014007	SNAP RING CS-4
6	503098000	SLIDER BUTTON
7	503099000	BUTTON FRAME
8	503156109	INDICATOR WINDOW
9	000115205	TP SCREW 4X6
10	503003100	REAR COVER
11	000081005	SETSCREW
12	000160319	SETSCREW 4X20
13	653006101	CAP
14	503002006	BASE
15	000161206	TAPPING SCREW 3X10
16	739064003	RUBBER FOOT
17	639005003	RUBBER FOOT
18	000201405	TP SCREW 4X16
19	000160102	ADJUSTABLE LOCKNUT 4

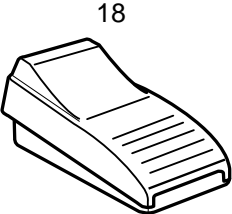
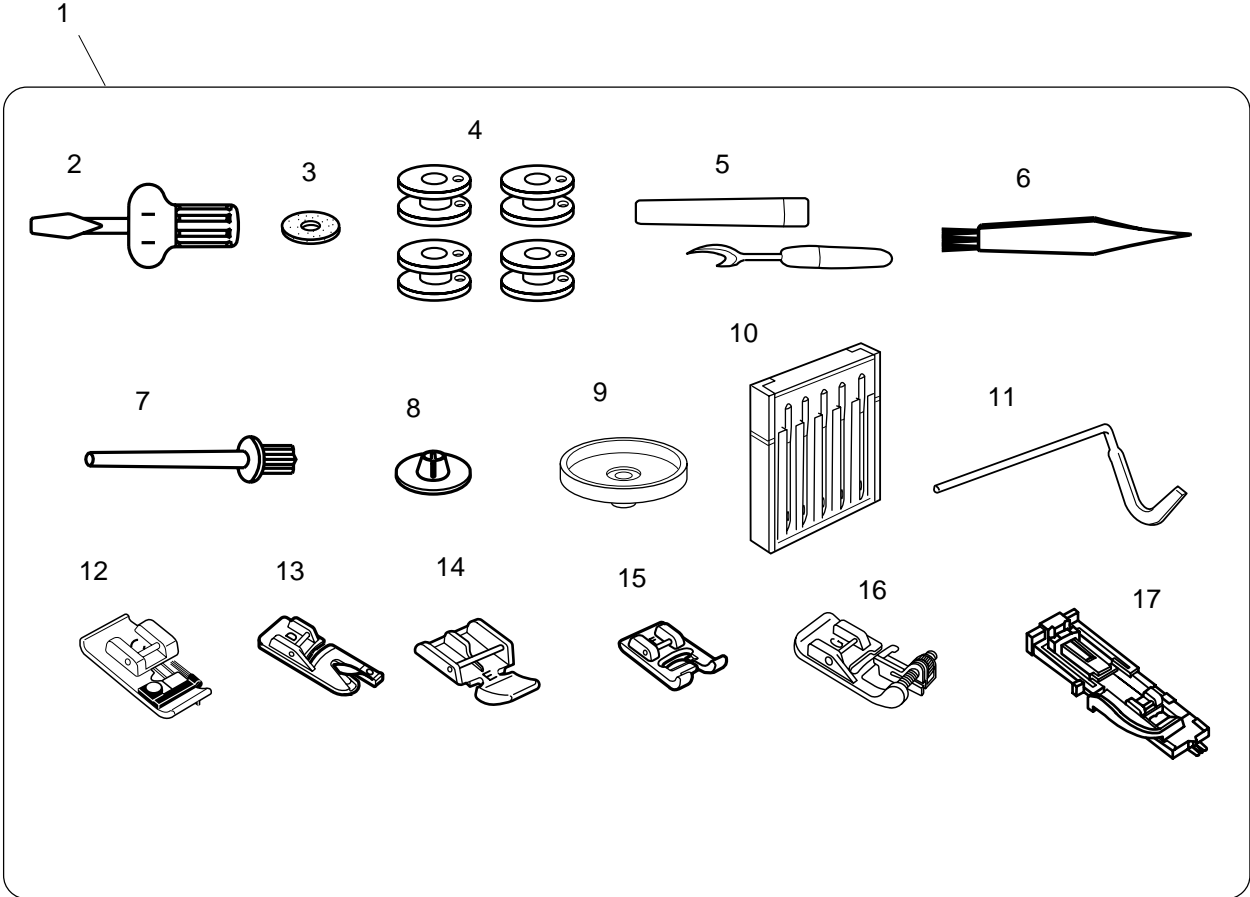
# PARTS LIST



# PARTS LIST

KEY NO.	PARTS NO.	DESCRIPTION
1	503650005	ELECTRIC COMPONENT UNIT (FOR 230-240V)
	503651006	ELECTRIC COMPONENT UNIT (FOR 120V)
2	503637006	LAMP SOCKET WITH BRACKET (FOR 230-240V)
	503641003	LAMP SOCKET WITH BRACKET (FOR 120V)
3	503124005	LAMP BRACKET
4	655681009	LAMP SOCKET UNIT (FOR 230-240V)
	639618201	LAMP SOCKET UNIT (FOR 120V)
5	000081005	SETSCREW 3X10
6	739503308	MACHINE SOCKET UNIT
	739505403	MACHINE SOCKET UNIT
7	739037007	MACHINE SOCKET COVER
8	000060802	HEXAGONAL NUT
9	000107802	SETSCREW 3X10
10	503633002	MOTOR UNIT (FOR 240V)
	503633105	MOTOR UNIT (FOR 230V)
	503634003	MOTOR UNIT (FOR 120V)
11	000009009	LIGHT BULB (FOR 230-240V)
	000008606	LIGHT BULB (FOR 120V)
12	000103509	SETSCREW 4X10
13	000138503	HEXAGONAL BOLT 5X12
14	000081005	SETSCREW 4X8
15	503614007	IDLER UNIT
16	502072004	IDLER MOUNTING PLATE
17	625217100	IDLER
18	502072004	IDLER MOUNTING PLATE
19	000103705	SETSCREW 4X5
20	503105000	BELT COVER
21	653006101	CAP
22	503508007	BOBBIN WINDER UNIT
22	000002806	SNAP RING E-6

# PARTS LIST



# PARTS LIST

KEY NO.	PARTS NO.	DESCRIPTION
1	503870003	ACCESSORY SET
2	820832005	SCREWDRIVER
3	102403109	FELT
4	102261000	BOBBIN
5	647808009	SEAM RIPPER
6	802424004	BRUSH
7	625031500	ADDITIONAL SPOOL PIN
8	822019509	SPOOL HOLDER (SMALL)
9	829803004	SPOOL STAND
10	540401026	NEEDLE SET
11	802422002	QUILTING BAR
12	820804019	OVEREDGE FOOT
13	820809014	HEMMER FOOT
14	829801002	ZIPPER FOOT
15	822804118	SATIN STITCH FOOT
16	820817015	BLIND STITCH FOOT
17	753801004	AUTOMATIC BH FOOT R
18	042870102	FOOT CONTROL (FOR AUSTRALIA)
	042870401	FOOT CONTROL (FOR U.K.)
	042870308	FOOT CONTROL (FOR 230V)
	033870104	FOOT CONTROL (FOR 120V)