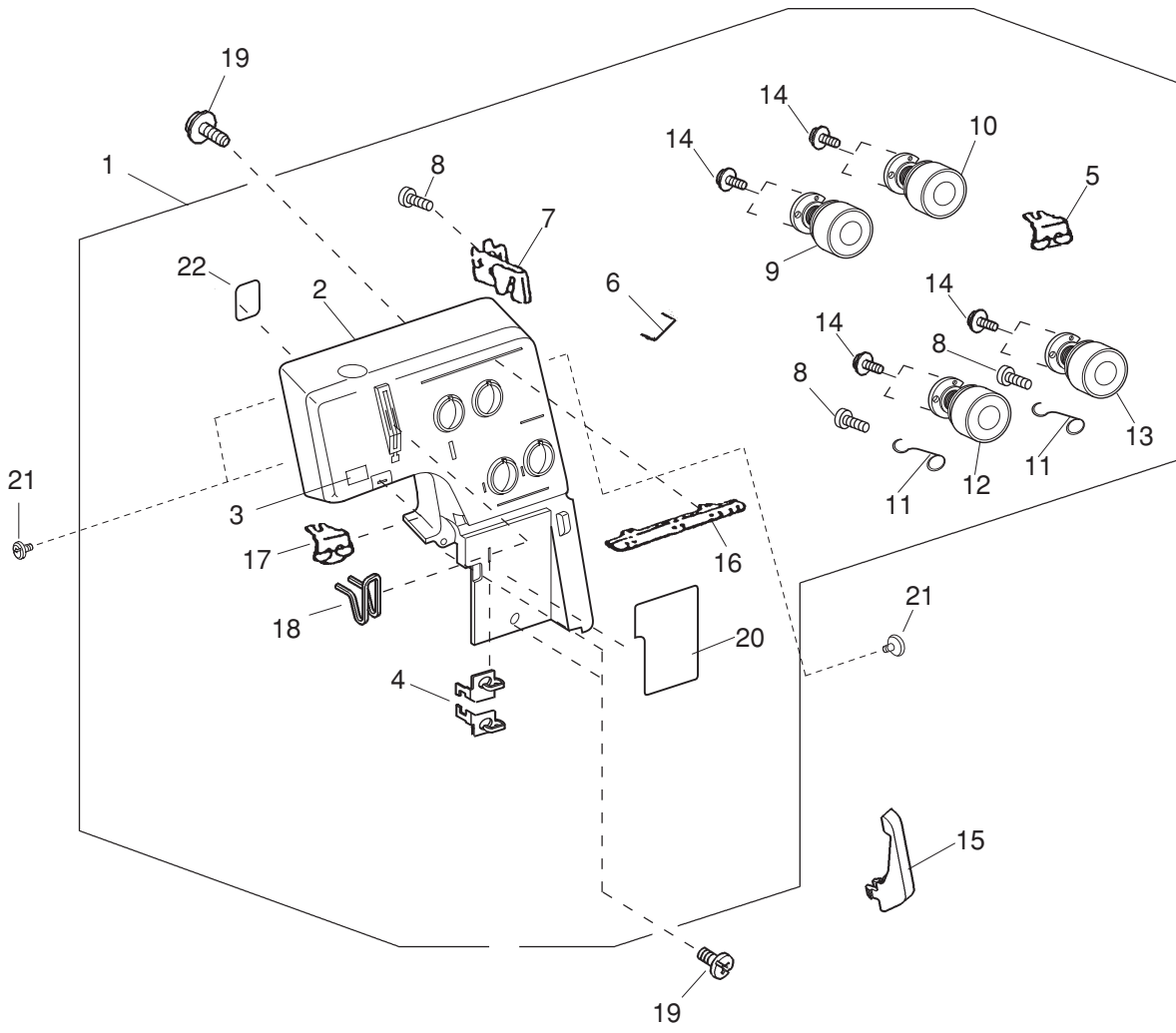


**SERVICE MANUAL
&
PARTS LIST
990D**

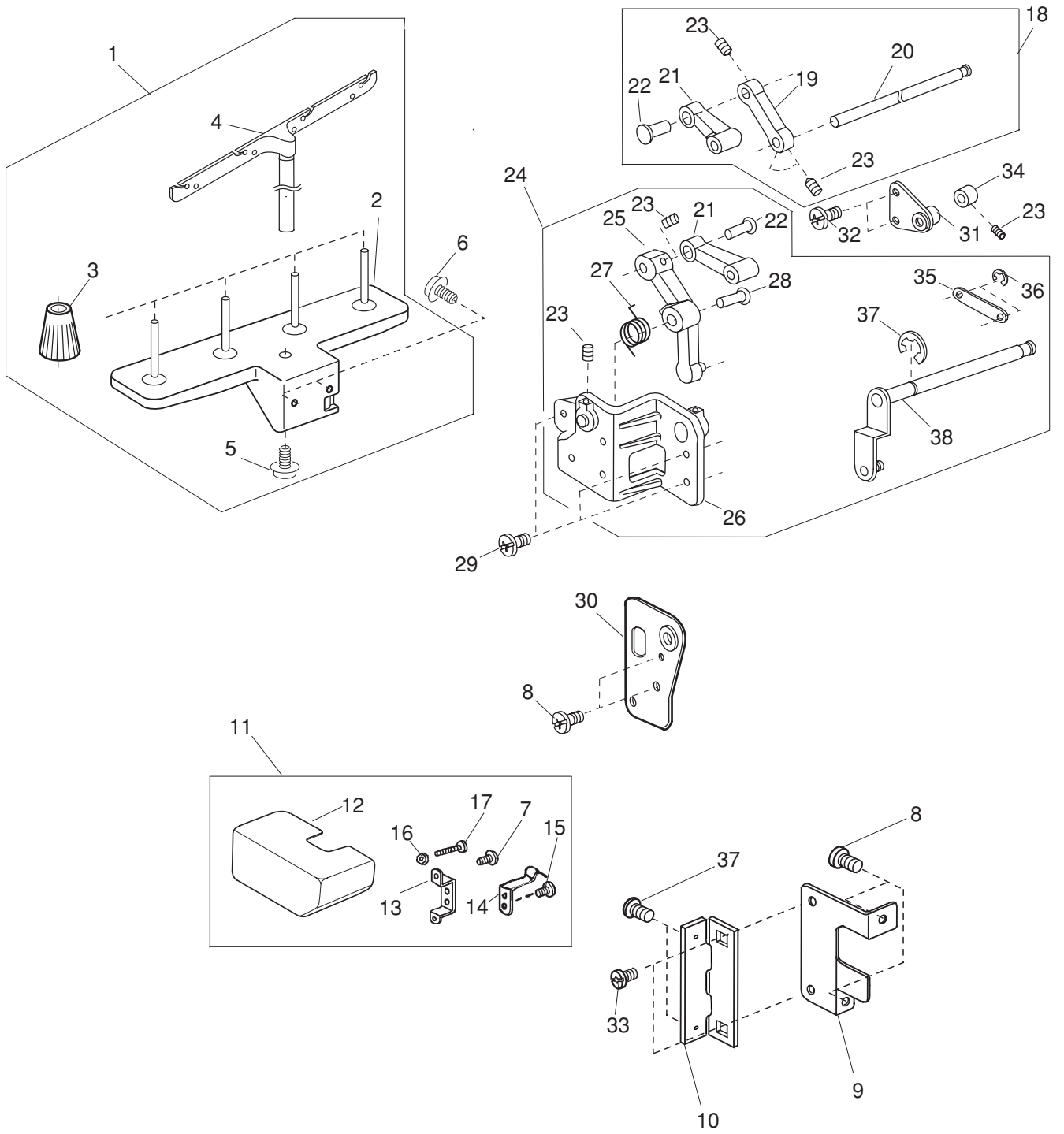
PARTS LIST



PARTS LIST

KEY NO.	PARTS NO.	DESCRIPTION
1	789605030	Front cover (unit)
2	789021140	Front cover
3	888261007	Sticker
4	787131001	Looper thread guide
5	785232007	Looper thread guide
6	787361002	Looper thread guide
7	792612007	Check spring (unit)
8	000149301	Tapping screw 3x8 (B)
9	785552501	L. needle tension (unit)
10	785553605	R. needle tension (unit)
11	785231006	Thread guide
12	785554606	U. looper tension (unit)
13	785555607	L. looper tension (unit)
14	000114709	TP screw 3x6
15	787394004	Take-up lever cover
16	787363004	Thread guide plate
17	785015002	Needle thread guide 2
18	787392002	Thread guide
19	000103417	Setscrew 4x8
20	789024006	Sticker
21	000115607	TP screw 4x8
22	724025006	Sticker

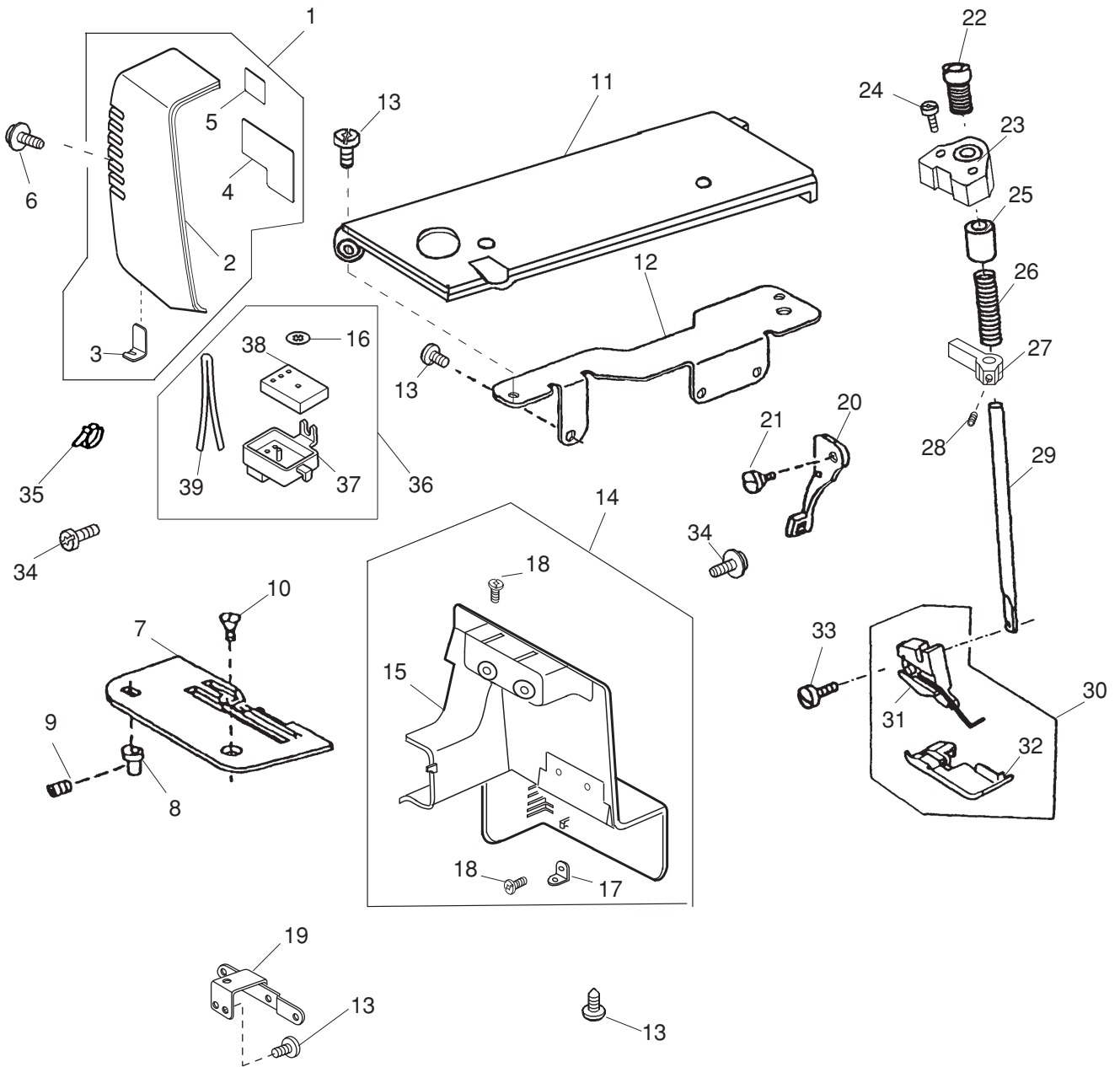
PARTS LIST



PARTS LIST

KEY NO.	PARTS NO.	DESCRIPTION
1	789606008	Spool stand (unit)
2	777011003	Spool stand
3	784223105	Spool holder
4	789607009	Thread guide bar (unit)
5	000115700	TP screw 4x10
6	000114802	TP screw 4x12
7	000149301	Tapping screw 3x8 (B)
8	000081005	Setscrew 4x8
9	787165004	Side cover hinge base
10	787507002	Side cover hinge (unit)
11	787628000	Side cover (unit)
12	787161000	Side cover
13	787162001	Slide cover spring base
14	787163002	Slide cover spring
15	000103808	Setscrew 3x5
16	000160009	Adjustable nut 3
17	000104902	Setscrew 3x16
18	787637002	Main feed connecting arm 2 (unit)
19	787197005	Main feed connecting arm 2
20	787198006	Main feed connecting shaft
21	787067005	Feed link
22	787195003	Feed connecting pin
23	000111201	H. socket screw 4x4
24	792611109	Feed adjusting base (unit)
25	787194002	Sub feed connecting arm 3
26	787074005	Feed adjusting base
27	787301004	Connecting arm spring
28	787195014	Connecting arm pin
29	000103509	Setscrew 4x10
30	787354105	Main shaft set plate (C)
31	787077008	Connecting arm support
32	810220003	Setscrew 4x6.5
33	000101404	Setscrew 4x6
34	650136009	Ring
35	787081005	Feed connecting arm link
36	000002105	Snap ring E-3
37	000001609	Snapring E-5
38	792034102	Sub feed connecting shaft

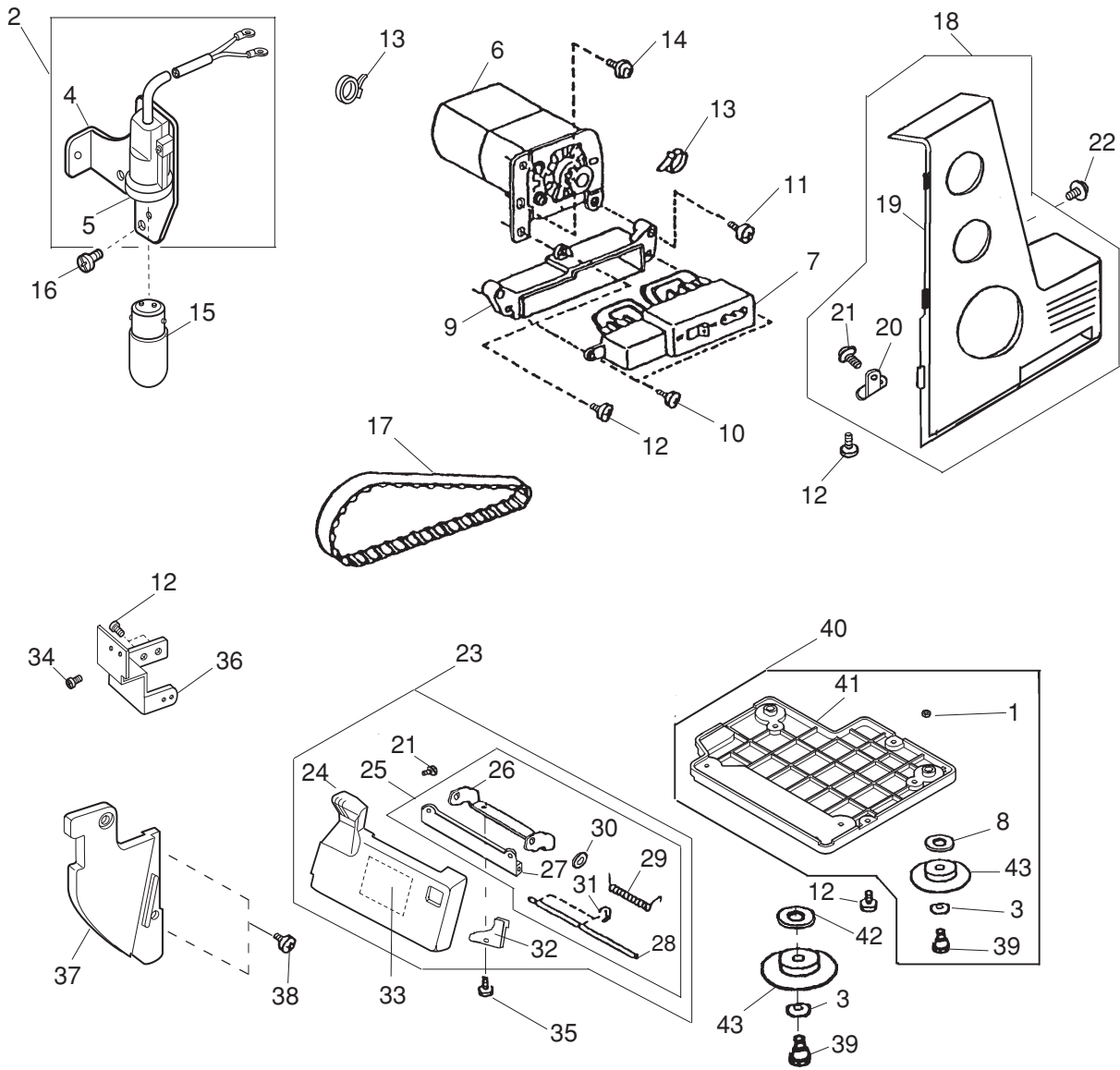
PARTS LIST



PARTS LIST

KEY NO.	PARTS NO.	DESCRIPTION
1	789671008	Face plate (unit)
2	787352000	Face plate
3	840602006	Thread cutter (unit)
4	787382009	Sticker
5	787353001	Sticker
6	000115700	TP screw 4x10
7	788601000	Needle plate (unit)
8	789100007	Eccentric pin
9	000111902	H. socket screw 3x4
10	681009101	Flat screw
11	787371201	Top cover
12	787370004	Handle set plate
13	000081005	Setscrew 4x8
14	787648109	Rear cover (unit)
15	787293208	Rear cover
16	000014007	Snap ring CS-4
17	787174006	Rear cover set plate
18	000149301	Tapping screw 3x8 (B)
19	787294106	Rear cover set plate
20	650032015	Presser lifter
21	810431009	Hinge screw
22	777013108	Presser adjusting screw
23	788005008	Presser bar adjusting screw bracket
24	000104706	Setscrew 4x16
25	777002001	Bushing
26	787020006	Presser bar spring
27	724118007	Presser bar bracket
28	000111304	H. socket screw 5x5
29	787019002	Presser bar
30	788501009	Presser foot (unit)
31	787541008	Foot holder (unit)
32	788502000	Presser foot (lower) (unit)
33	660106001	Setscrew
34	000115607	TP screw 4x8
35	000053101	Binder
36	789602004	Oil case (unit)
37	789005001	Oil case
38	789006002	Felt
39	763033204	String

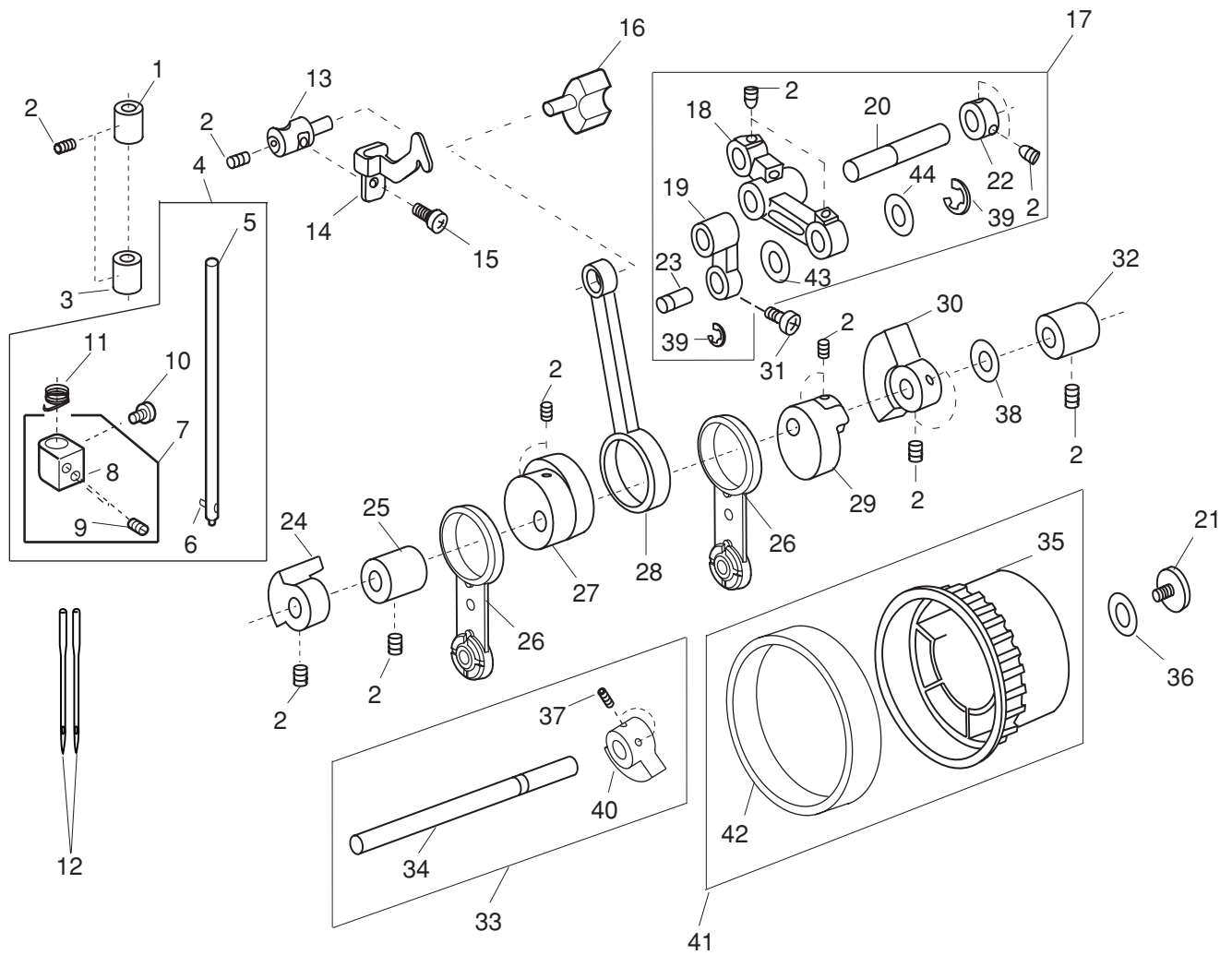
PARTS LIST



PARTS LIST

KEY NO.	PARTS NO.	DESCRIPTION
1	000061205	Nut 4
2	787631202	Lamp socket complete (unit)
3	000070300	Washer
4	787026002	Lamp socket set plate
5	655681434	Lamp socket (unit)
6	023271212	Motor (unit)
7	777502109	Machine socket (unit)
8	787204006	Washer (2)
9	784128028	Machine socket cover
10	000121905	Tapping screw 4x12 (B)
11	000104108	Setscrew 4x20
12	000081005	Setscrew 4x8
13	000053008	Binder
14	000115504	TP screw 5x10
15	000009009	Lamp 240V 15W BA15D
16	000101404	Setscrew 4x6
17	784124002	Timing belt
18	787678005	Belt cover (unit)
19	787379302	Belt cover
20	787158004	Belt cover set plate
21	000149301	Tapping screw 3x8 (B)
22	000115618	TP screw 4x8
23	787696043	Looper cover (unit)
24	787150143	Looper cover
25	787626008	Looper cover hinge (unit)
26	787151007	Looper cover supporter
27	787152008	Looper cover hinge
28	784121010	Looper cover shaft
29	784122000	Looper cover spring
30	000071013	Washer 4
31	000002105	Snap ring E-3
32	787181006	Looper cover stopper
33	789028000	Sticker
34	000081016	Setscrew 4x8
35	000115205	TP screw 4x6
36	788085002	Looper cover guide supporter
37	788086106	Looper cover guide
38	000078320	Setscrew 3x6
39	789169009	Hinge screw
40	789610049	Base plate (unit)
41	789034009	Base plate
42	785260004	Washer
43	784135006	Rubber cushion

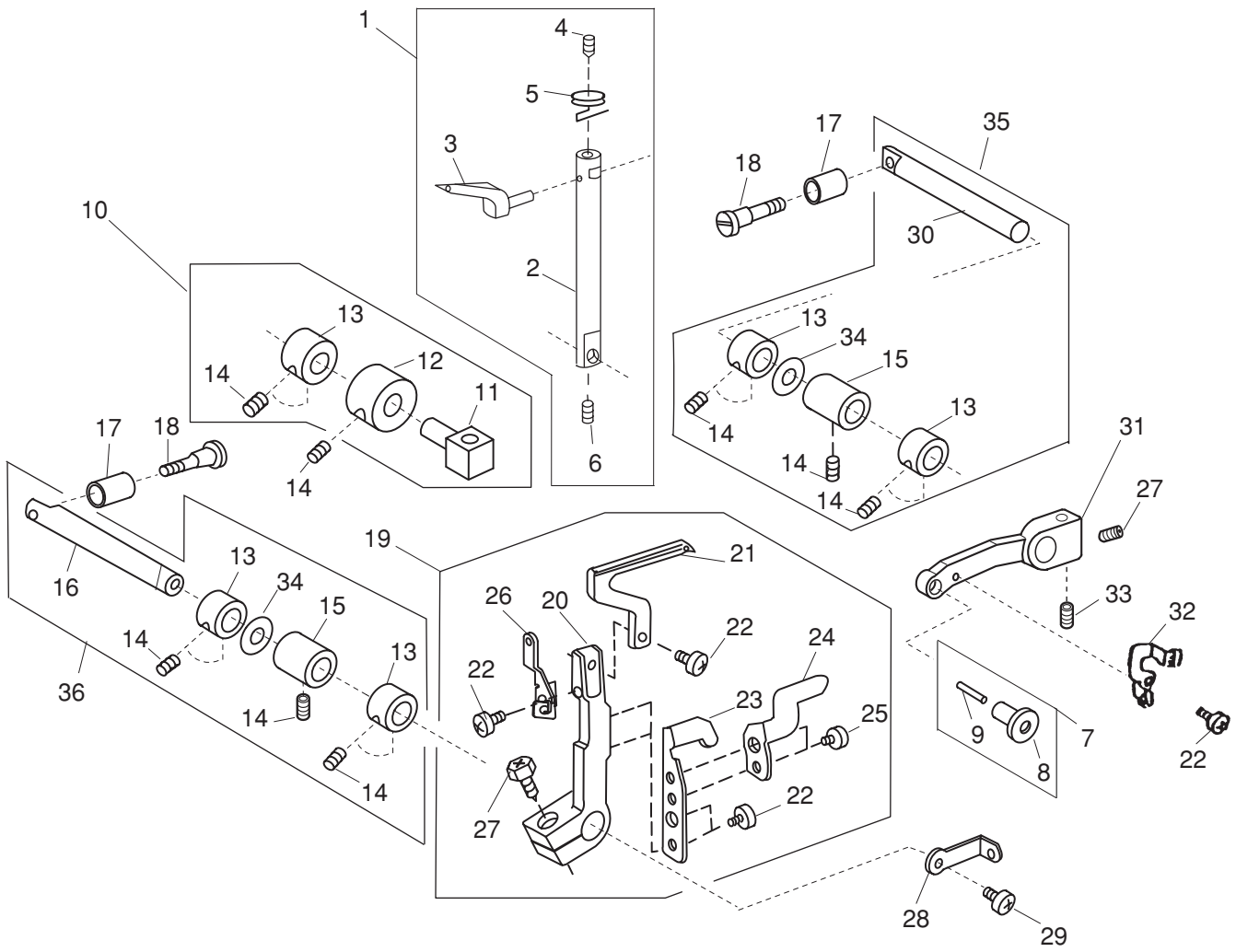
PARTS LIST



PARTS LIST

KEY NO.	PARTS NO.	DESCRIPTION
1	784027004	Needle bar upper bushing
2	000111201	H. socket screw 4x4
3	784028005	Needle bar lower bushing
4	787606002	Needle bar (unit)
5	787015008	Needle bar
6	000022307	Spring pin 1.6x8
7	785557001	Needle clamp screw (unit)
8	785004020	Needle clamp
9	785008024	Needle clamp screw
10	785026017	Setscrew 3x6
11	785009003	Needle bar thread guide
12	784157015	Needle HAx1 SP-14
13	784024001	Needle bar bracked
14	787348003	Take-up lever
15	000078320	Setscrew 3x6
16	789103000	Needle bar balancer
17	789612007	Needle bar crank (unit)
18	789104001	Needle bar crank
19	789007003	Needle bar link
20	789008004	Needle bar crank shaft
21	618070004	Screw
22	624245001	Ring
23	784022009	Link pin
24	792037002	Left balance weight
25	789002008	Bushing
26	792951001	Looper cam ring (unit)
27	787007100	Needle bar cam
28	789004000	Needle bar crank rod
29	787004107	Upper looper cam
30	888012001	Balance weight
31	000101703	Setscrew 4x12
32	789003009	Bushing
33	789611006	Main shaft (unit)
34	789001007	Main shaft
35	784019139	Handwheel
36	556047007	Washer
37	000111304	H. socket screw 5x5
38	000038605	Washer 10x0.5
39	000002909	Snap ring E-7
40	789101008	Balance weight
41	793607068	Handwheel (unit)
42	793012004	Rubber sheet
43	000039905	Washer 7x0.5
44	000038502	Washer 8x0.5

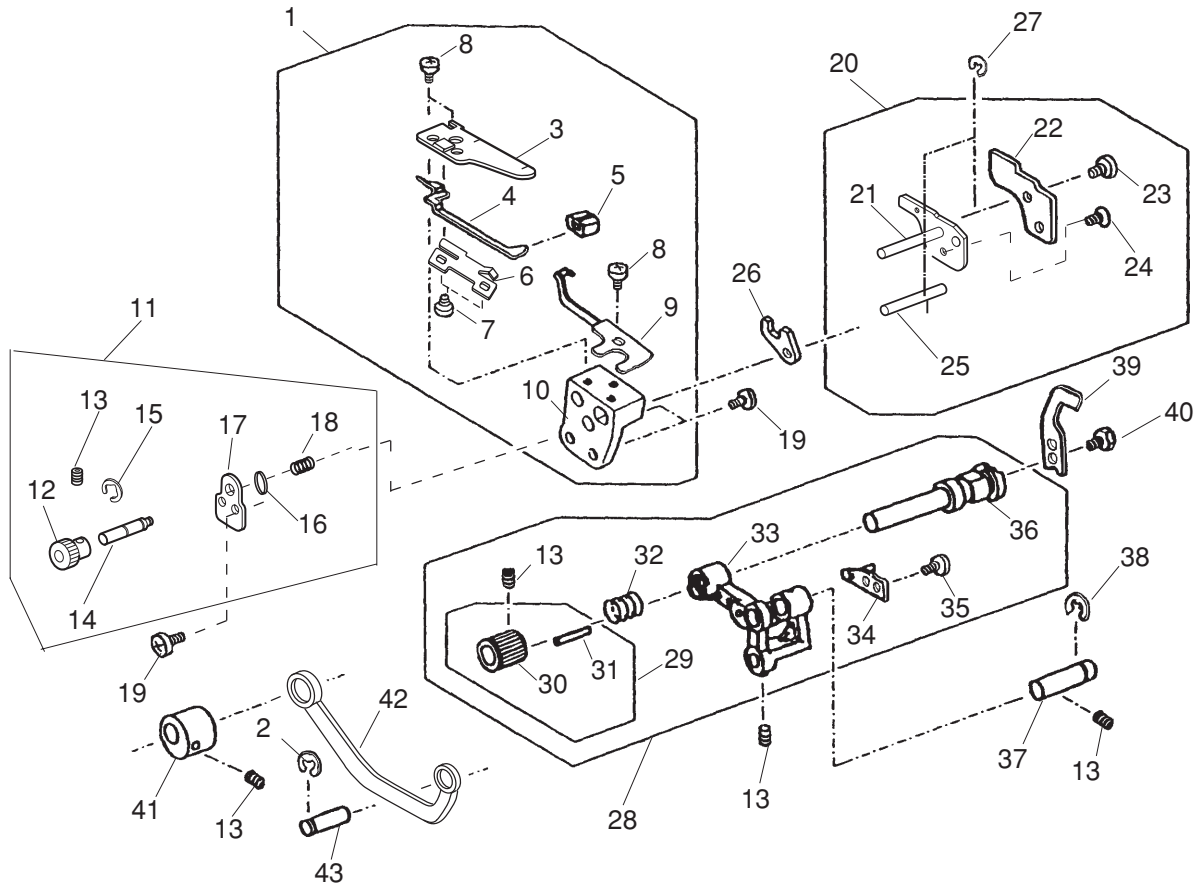
PARTS LIST



PARTS LIST

KEY NO.	PARTS NO.	DESCRIPTION
1	787618007	Upper looper shaft (unit)
2	787111005	Upper looper shaft
3	784076019	Upper looper
4	000112501	H. socket screw 4x4
5	784077009	U. looper thread guide 3
6	000177205	H. socket screw 3x6
7	787632007	Upper looper pin (unit)
8	787115009	Upper looper pin
9	787192000	String
10	792614009	U. looper shaft guide (unit)
11	792038003	U. looper shaft guide
12	792039004	Bushing
13	792048006	Looper shaft ring
14	000111201	H. socket screw 4x4
15	787104005	Bushing
16	787116000	L. looper crank shaft
17	787107101	Crank spacer
18	787108009	Crank setscrew
19	785610036	Lower looper (unit)
20	785024004	L. looper base (2)
21	784083606	Lower looper
22	000078320	Setscrew 3x6
23	787383000	Rear needle guard
24	785023003	Front needle guard
25	000099006	H. socket screw 3x4
26	784085206	L. looper thread guide (3)
27	000138008	H. socket screw 4x16
28	785010203	L. looper thread guide
29	000103004	Setscrew 3.5x6
30	787105006	U. looper crank shaft
31	789112002	U. looper waving arm
32	788038000	Looper thread guide (L2)
33	000111304	H. socket screw 5x5
34	000038502	Washer
35	792630001	U. looper crank shaft (unit)
36	792631002	L. looper crank shaft (unit)

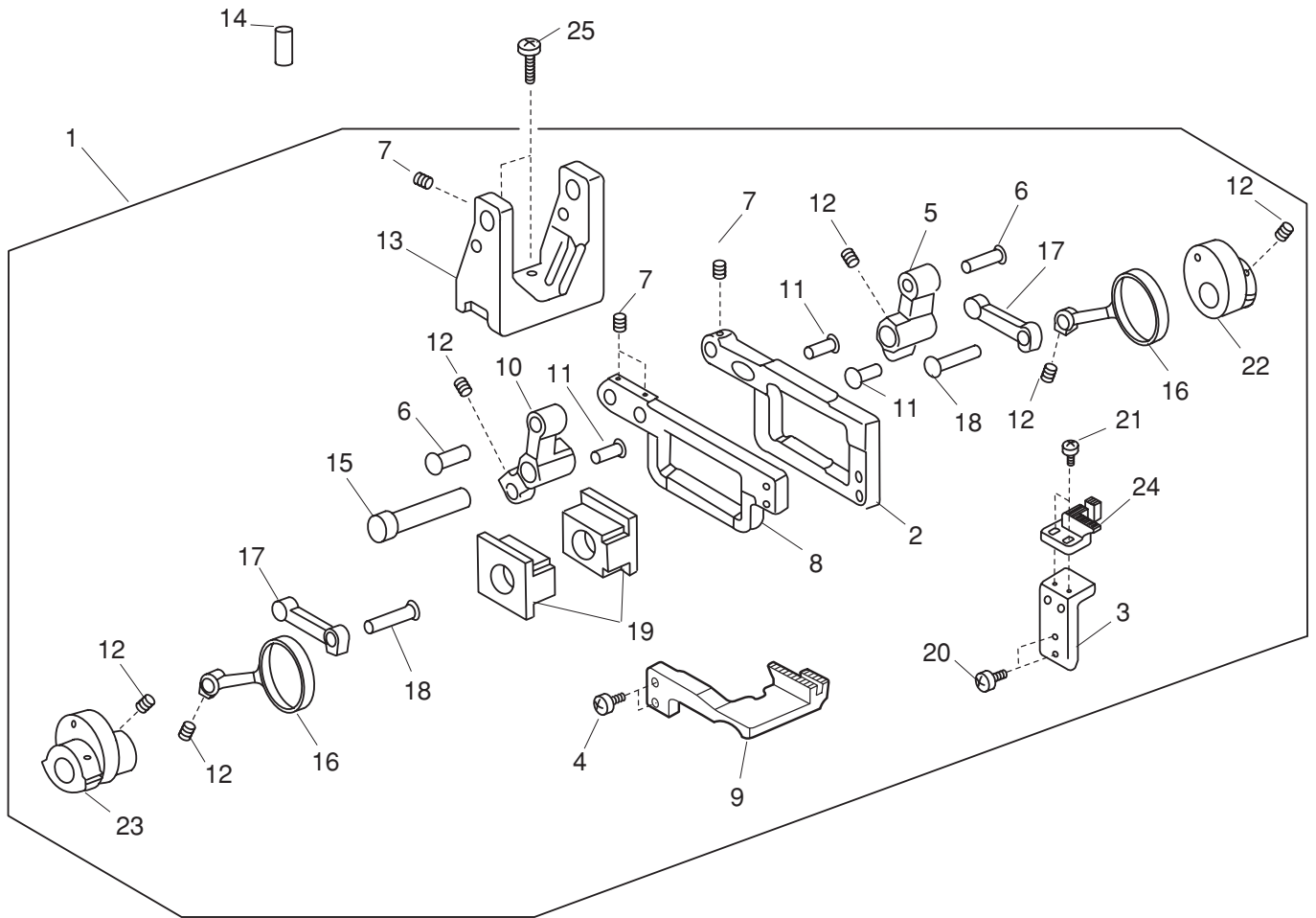
PARTS LIST



PARTS LIST

KEY NO.	PARTS NO.	DESCRIPTION
1	792613008	Chaining finger bracket (unit)
2	000001609	Snap ring E-5
3	788106003	Chaining finger set plate
4	788017003	Chaining finger
5	787041003	Needle plate setting knob
6	788018004	Chaining finger spring
7	000074603	Setscrew 2 x 4
8	000078320	Setscrew 3 x 6
9	788019005	Fixed needle guard
10	788015001	Chaining finger bracket
11	788619104	Adjusting bar (unit)
12	787050005	Lower knife release knob
13	000111201	H. socket screw 4x4
14	788128008	Lower knife adjusting bar
15	000002507	Snap ring E-4
16	000070300	Washer 5
17	787046008	Guide plate
18	787223001	Spring
19	000081005	Setscrew 4 x 8
20	788603002	Lower knife (unit)
21	788012008	Lower knife set plate
22	788013009	Lower knife
23	000102221	Setscrew 4 x 6
24	000114710	TP screw 3 x 6
25	788014000	Lower knife shaft
26	788021000	Nut
27	000001207	Snap ring E-2.5
28	787635000	Upper knife drive arm (unit)
29	784607xxx	Upper knife knob (unit)
30	784044007	Upper knife knob
31	000003601	Spring pin 2 x 14
32	784043006	Spring
33	787033002	Upper knife drive arm
34	784041004	Upper knife guide
35	810220003	Setscrew 4 x 6.5
36	784042005	Upper knife supporter
37	787022008	Pin
38	000002909	Snap ring E-7
39	788127007	Upper knife
40	624303008	H.bolt 4 x 6
41	788008001	Upper knife drive cam
42	789009005	Upper knife connecting rod
43	787012005	Pin

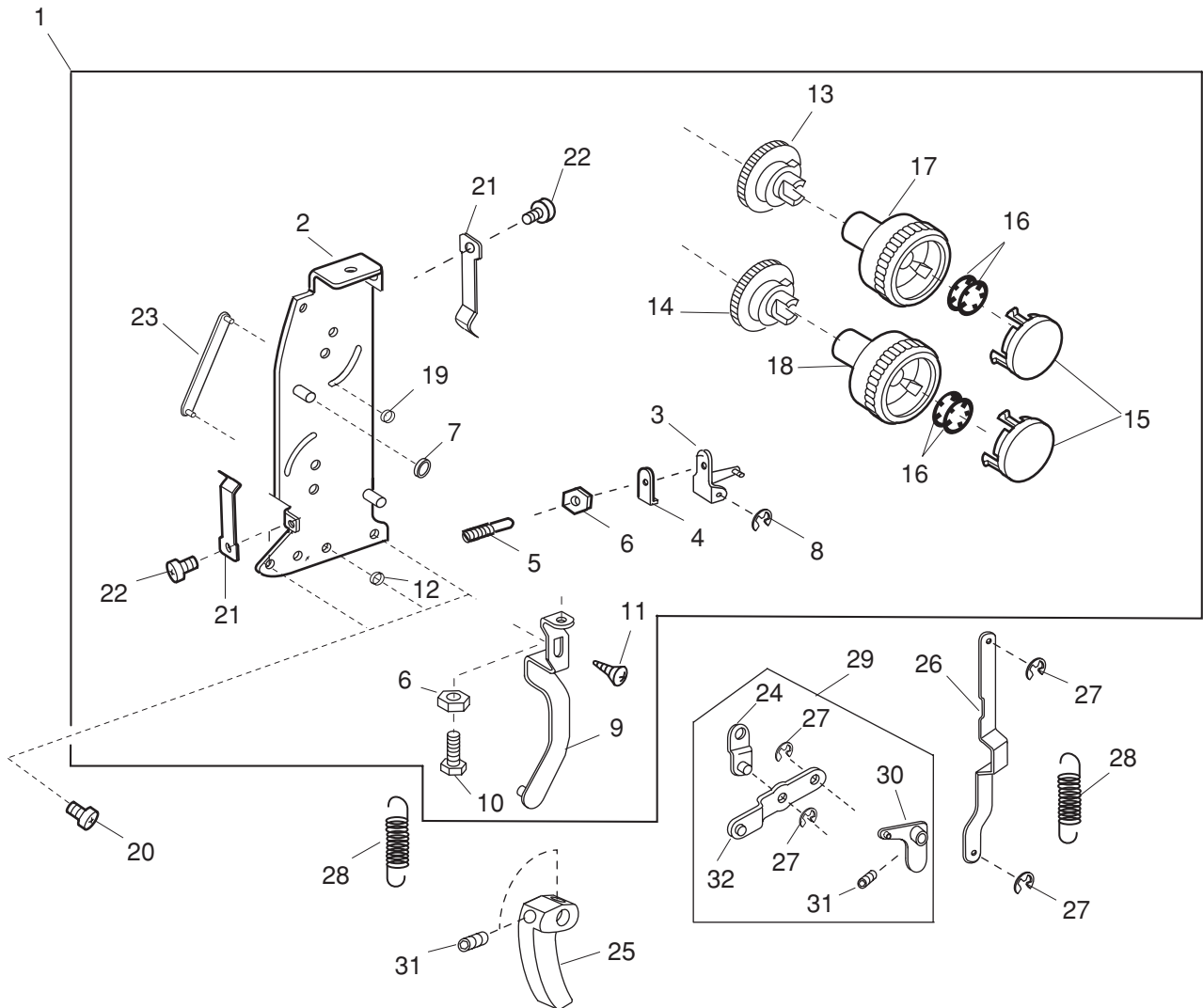
PARTS LIST



PARTS LIST

KEY NO.	PARTS NO.	DESCRIPTION
1	792604006	Feed bar (unit)
2	788022001	Main feed bar
3	788023002	Main feed dog bracket
4	000104201	Setscrew 3.5 x 10
5	787054009	Main feed bar drive arm
6	787055000	Pin
7	000111902	H. socket screw 3 x 4
8	788024003	Sub feed bar
9	789018007	Sub feed dog
10	787212007	Sub feed drive arm
11	787059004	Pin
12	000111201	H. socket screw 4 x 4
13	787305008	Feed bar base
14	000005304	Pin
15	787306009	Feed driving arm pin
16	787065003	Feed bar link
17	787066004	Feed rocking link
18	787068006	Pin
19	792008004	Block
20	000068811	Setscrew 3.5 x 10
21	000066705	Setscrew 3 x 8
22	787072003	Main feed drive cam
23	787073004	Sub feed drive cam
24	788027006	Main feed dog
25	000201405	TP screw 4 x 16

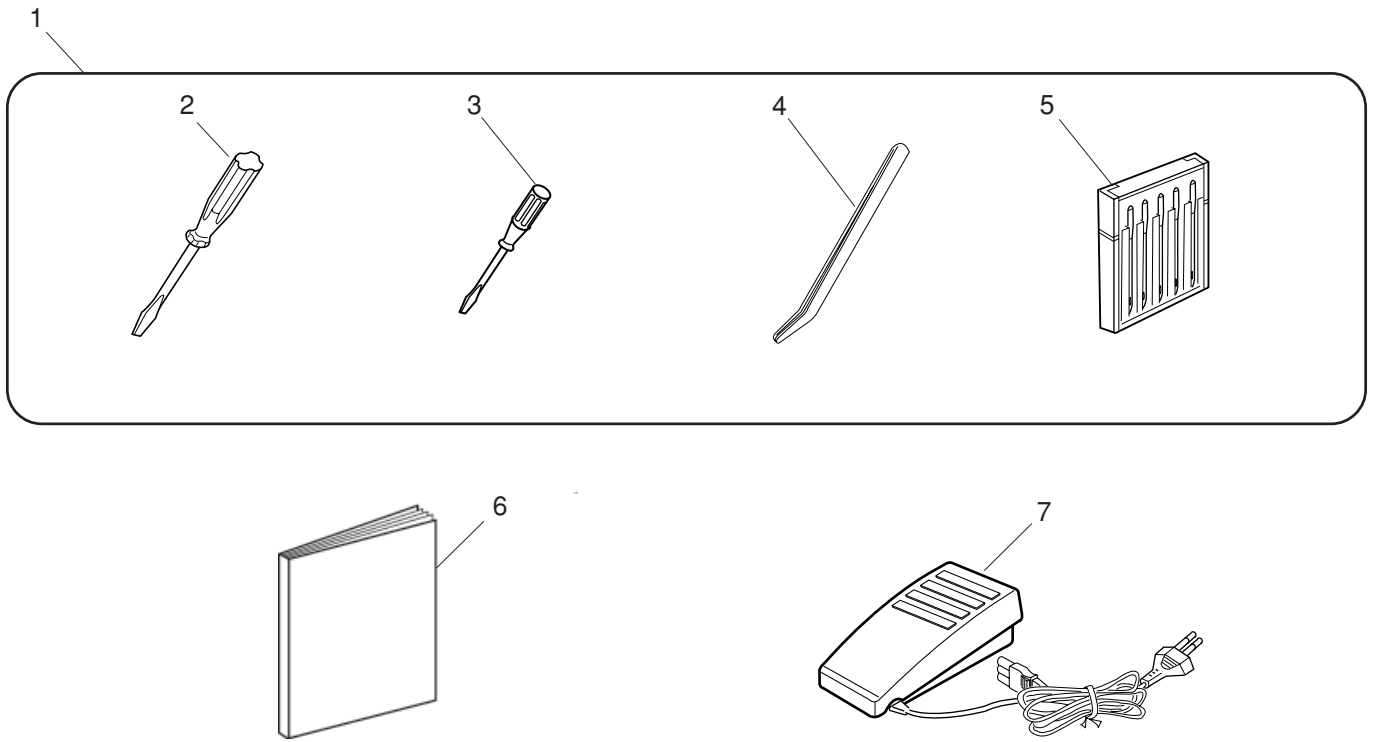
PARTS LIST



PARTS LIST

KEY NO.	PARTS NO.	DESCRIPTION
1	791618011	Feed adjuster (unit)
2	789031006	Set plate
3	787089003	Feed adjuster arm
4	785156006	Set plate
5	652056000	Adjustable screw
6	000160102	Adjustable nut
7	000036500	Washer
8	000001609	Snap ring E-5
9	787264004	Differential rod
10	785224006	Adjustable screw
11	785286006	Hinge screw
12	785222004	Set plate
13	787091008	Stitch length adjusting cam
14	788036008	Differential feed adjusting cam
15	787262301	Dial cap
16	000013800	Snap ring CS-6
17	787261702	Stitch length dial
18	787261126	Differential feed dial
19	000014306	Snap ring CS-3
20	000081005	Setscrew 4 x 8
21	787263003	Spring
22	000081119	Setscrew 4 x 6
23	788037009	Link
24	788031003	Differential feed transfer arm
25	788032004	Sub feed connecting arm
26	787102003	Feed rod
27	000002105	Snap ring E-3
28	787259006	Spring
29	788607006	Main feed connecting arm (unit)
30	788029008	Main feed connecting arm
31	000111201	H. socket screw 4 x 4
32	788030002	Feed connecting rod

PARTS LIST



PARTS LIST

KEY NO.	PARTS NO.	DESCRIPTION
1	777870008	Accessory set
2	784810002	Screwdriver (Large)
3	647803004	Screwdriver (small)
4	624801001	Tweezer
5	784860100	Needle set
6	789800222	Instruction book
7	C-2038-1	Foot controller
