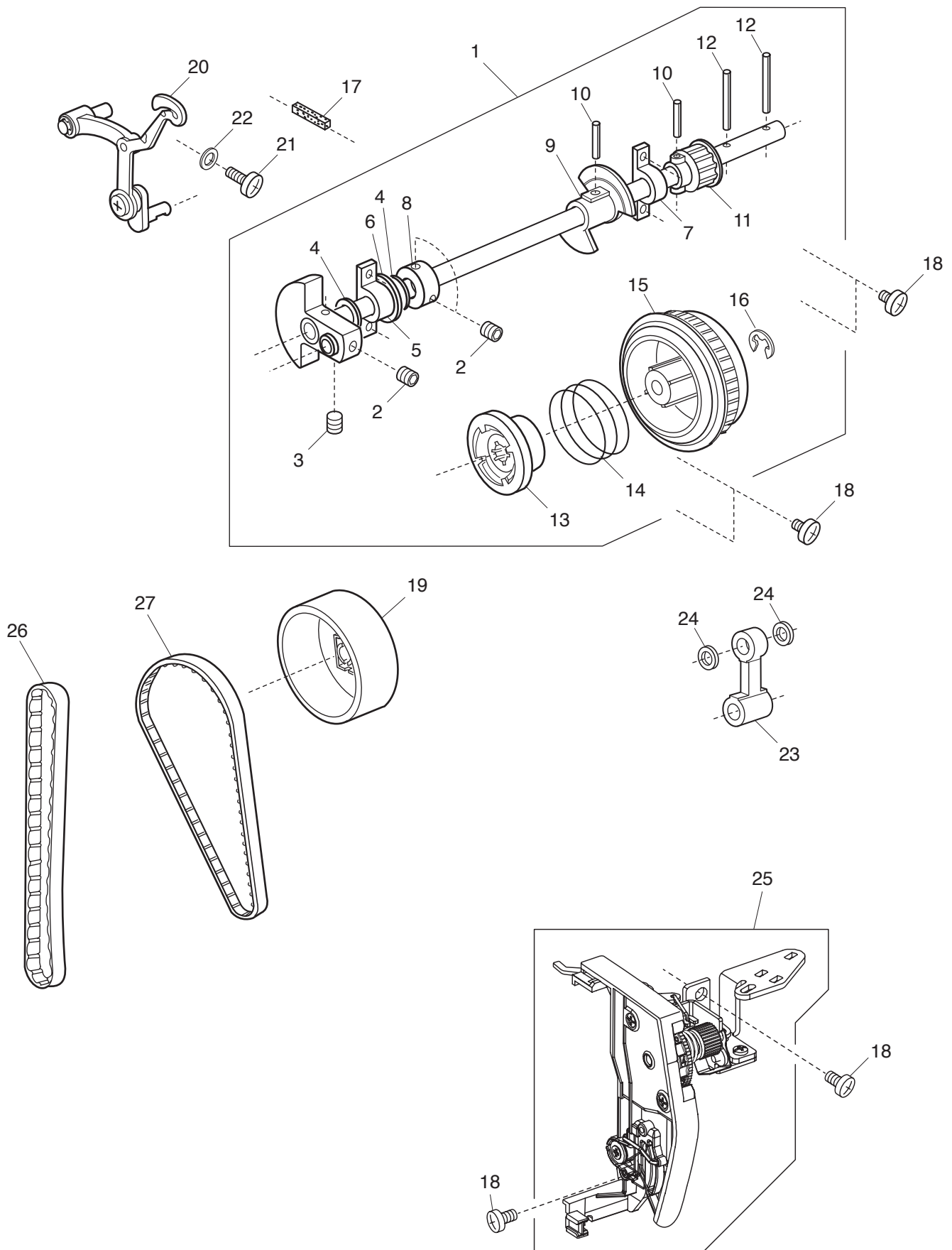


PARTS LIST

MODEL: J30

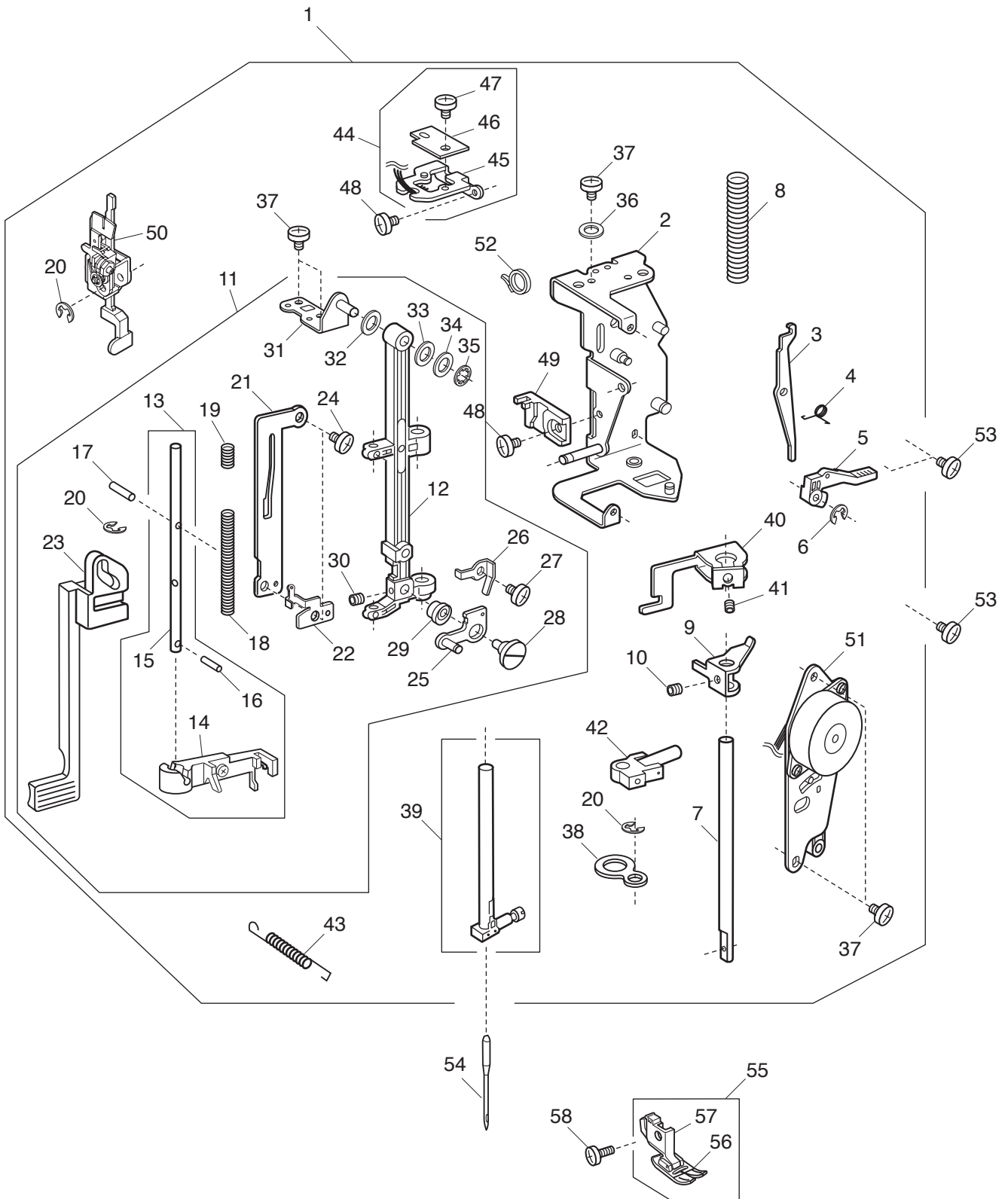
PARTS LIST



PARTS LIST

| KEY NO. | PARTS NO. | DESCRIPTION |
|------------|--------------|-----------------------------|
| 1 | 808601005 | Upper shaft (unit) |
| 2 | 000111201 | Hexagonal socket screw 4x4 |
| 3 | 000112800 | Hexagonal socket screw 4x6 |
| 4 | 000036201 | Washer FT80 |
| 5 | 508120006 | Shaft fixing metal |
| 6 | 823110009 | Felt |
| 7 | 508054101 | Shaft fixing metal |
| 8 | 820166001 | Lower shaft ring |
| 9 | 808003001 | Upper shaft shielding plate |
| 10 | 000004200 | Spring pin 3x18 |
| 11 | 508021006 | Upper shaft gear |
| 12 | 000024206 | Spring pin 3x30 |
| 13 | 502064003 | Clutch ring |
| 14 | 661024007 | Clutch spring |
| 15 | 508055009 | Belt wheel |
| 16 | 000002806 | Snap ring E-6 |
| 17 | 650040005 | Felt |
| 18 | 000081005 | Setscrew 4x8 |
| 19 | 508056000 | Handwheel |
| 20 | 808648004 | Thread take-up lever (unit) |
| 21 | 000103509 | Setscrew 4x10 |
| 22 | 000072302 | Washer 4 |
| 23 | 808005003 | Needle bar crank rod |
| 24 | 000036005 | Washer FT60 |
| 25 | 811511306 | Thread tension (unit) |
| 26 | 808037004 | Syncro belt S5M |
| 27 | 808021005 | Timing belt 120 |

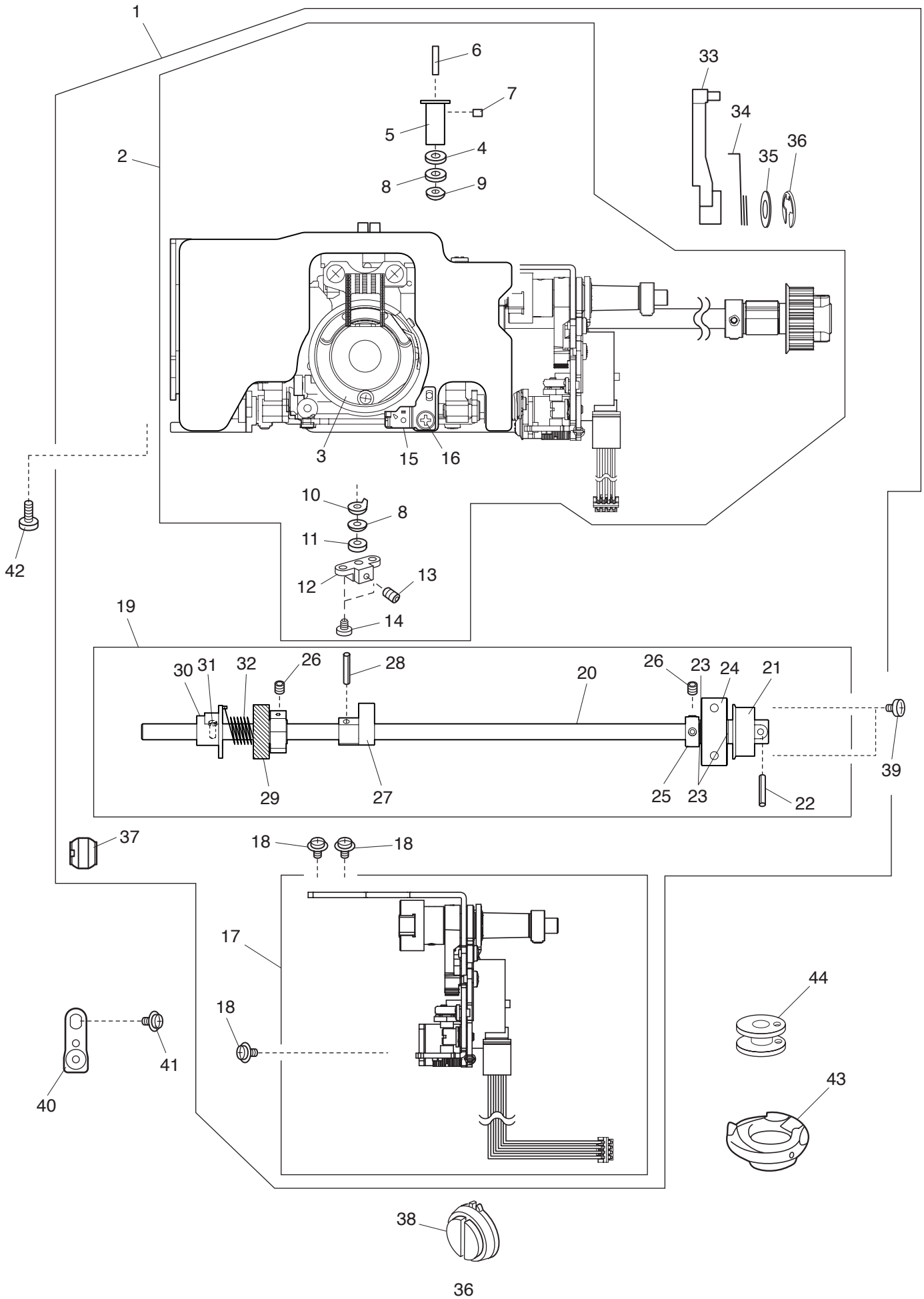
PARTS LIST



PARTS LIST

| KEY NO. | PARTS NO. | DESCRIPTION |
|------------|--------------|-----------------------------------|
| 1 | 808602615 | Presser bar base plate (unit) |
| 2 | 808006004 | Presser bar base plate |
| 3 | 808007005 | Thread tension release lever |
| 4 | 503041007 | Thread tension release spring |
| 5 | 502024001 | Presser foot lifter |
| 6 | 000001609 | Snap ring E-5 |
| 7 | 508002104 | Presser bar |
| 8 | 508038006 | Presser bar spring |
| 9 | 508039007 | Presser bar supporter |
| 10 | 000111500 | Hexagonal socket screw 4x8 |
| 11 | 808603100 | Needle bar supporter (unit) |
| 12 | 808008006 | Needle bar supporter |
| 13 | 842637028 | Threader shaft (unit) |
| 14 | 846588014 | Threader plate (unit) |
| 15 | 840036025 | Threader shaft |
| 16 | 000003508 | Spring pin 2x8 |
| 17 | 000125105 | Guide pin E-2x16-CH |
| 18 | 842090001 | Threader shaft spring |
| 19 | 842096007 | Threader lever spring |
| 20 | 000002105 | Snap ring E-3 |
| 21 | 842091002 | Threader guide plate |
| 22 | 844036027 | Threader lever plate |
| 23 | 842092003 | Threader lever |
| 24 | 000078319 | Setscrew 3x6 |
| 25 | 808015006 | Zigzag width rod |
| 26 | 827088009 | Zigzag width rod spring |
| 27 | 820373003 | Setscrew 2x3 |
| 28 | 678084007 | Eccentric pin |
| 29 | 808074003 | Washer |
| 30 | 000111902 | Hexagonal socket screw 3x4 |
| 31 | 808009007 | Supporter adjusting plate |
| 32 | 000036500 | Washer FT60 |
| 33 | 673022002 | Spring washer |
| 34 | 000070609 | Washer 6 |
| 35 | 000013903 | Snap ring CS-5 |
| 36 | 000072003 | Washer 5 |
| 37 | 000101404 | Setscrew 4x6 |
| 38 | 808010001 | Supporter guide plate |
| 39 | 508607105 | Needle bar (unit) |
| 40 | 808011002 | Threader position set plate |
| 41 | 000177205 | Hexagonal socket screw 3x6 |
| 42 | 508509003 | Needle bar connecting stud (unit) |
| 43 | 844038018 | Needle bar supporter spring |
| 44 | 808606000 | Buttonhole sensor (unit) |
| 45 | 845002005 | Sensor set plate |
| 46 | 843502602 | Printed circuit board E1 (unit) |
| 47 | 000101105 | Setscrew 3x4 |
| 48 | 000103808 | Setscrew 3x5 |
| 49 | 830057021 | Buttonhole lever guide |
| 50 | 808673008 | Buttonhole lever (unit) |
| 51 | 808605607 | Zigzag width motor (unit) |
| 52 | 000053008 | Cord binder |
| 53 | 000081005 | Setscrew 4x8 |
| 54 | 102408089 | Needle |
| 55 | 660509008 | Presser foot (unit) |
| 56 | 832523007 | Zigzag foot |
| 57 | 660806008 | Presser foot holder |
| 58 | 660106001 | Setscrew |

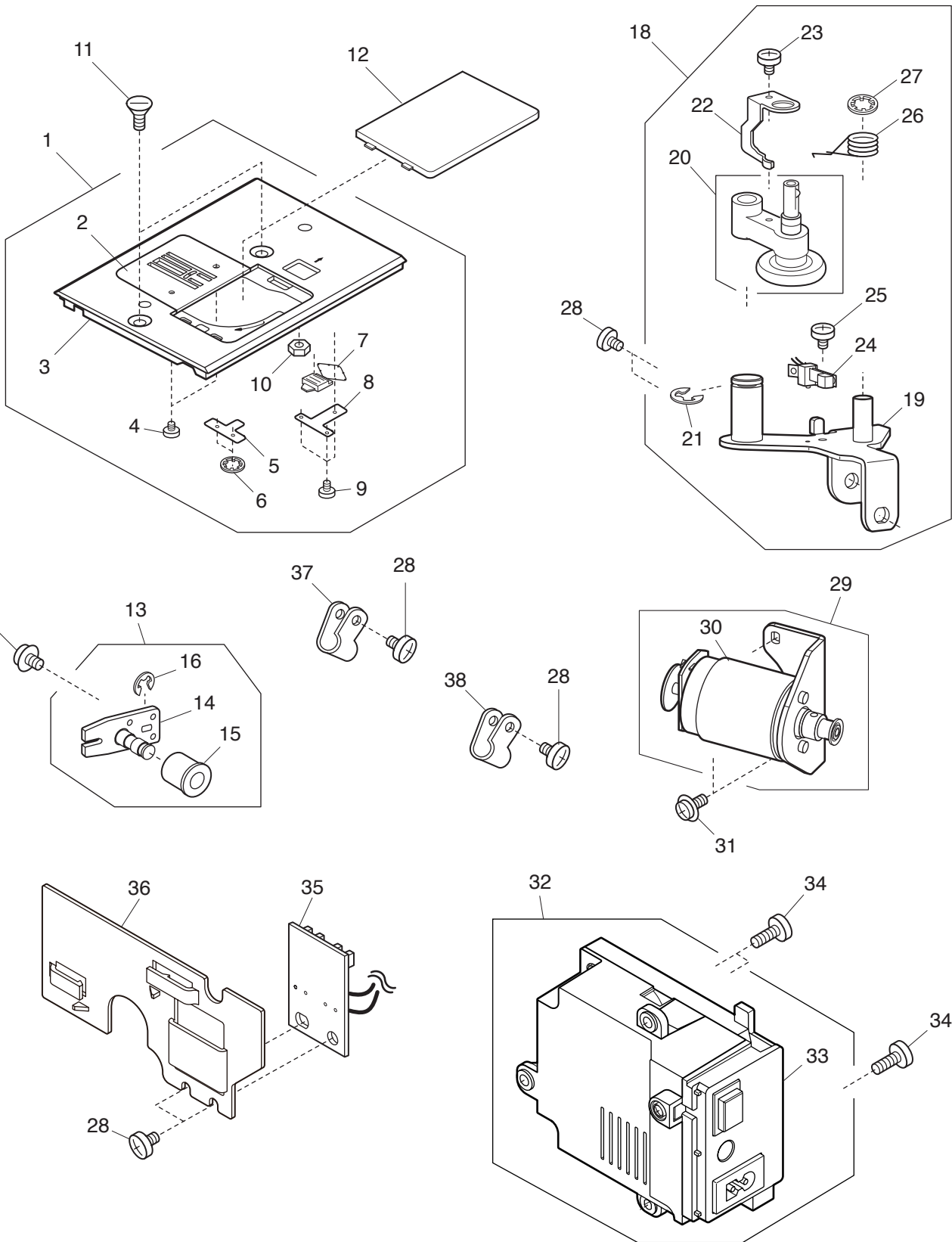
PARTS LIST



PARTS LIST

| KEY NO. | PARTS NO. | DESCRIPTION |
|------------|--------------|-------------------------------|
| 1 | 811607001 | Hook race (whole unit) |
| 2 | 811608002 | Hook race (unit) |
| 3 | 660536004 | Hook body (unit) |
| 4 | 508118001 | Washer |
| 5 | 820123006 | Hook race shaft |
| 6 | 820124007 | Hook shaft oil wick (1) |
| 7 | 820125008 | Hook shaft oil wick (2) |
| 8 | 000038409 | Washer |
| 9 | 508139008 | Magnet set plate |
| 10 | 627192001 | Washer |
| 11 | 625102008 | Washer |
| 12 | 508072002 | Hook race shaft base |
| 13 | 000111304 | Hexagonal socket screw 5x5 |
| 14 | 000103705 | Setscrew 4x5 |
| 15 | 627567104 | Bobbin holder stopper (unit) |
| 16 | 810220003 | Setscrew |
| 17 | 811611008 | Feed regulator (unit) |
| 18 | 000115205 | Setscrew TP 4x6 |
| 19 | 811610007 | Lower shaft (unit) |
| 20 | 808027300 | Lower shaft |
| 21 | 508021006 | Upper shaft gear |
| 22 | 000004200 | Spring pin 3x18 |
| 23 | 000038502 | Washer |
| 24 | 508054008 | Shaft fixing metal |
| 25 | 820166001 | Lower shaft ring |
| 26 | 000111201 | Hexagonal socket screw 4x4 |
| 27 | 809014008 | Feed cam |
| 28 | 000005407 | Spring pin 3x12 |
| 29 | 808137005 | Lower shaft gear |
| 30 | 753183025 | Feed lifting cam |
| 31 | 820161006 | Feed lifting pin |
| 32 | 686035008 | Feed lifting cam spring |
| 33 | 809013007 | Feed fork |
| 34 | 809015009 | Feed fork spring |
| 35 | 000071105 | Washer 5 |
| 36 | 000002507 | Snap ring E-4 |
| 37 | 732034003 | Lower shaft rear bushing |
| 38 | 809053009 | Feed balancing dial 2 |
| 39 | 000081005 | Setscrew 4x8 |
| 40 | 809042005 | Lower shaft bushing set plate |
| 41 | 000115607 | Setscrew TP 4x8 |
| 42 | 000101703 | Setscrew 4x12 |
| 43 | 627569106 | Bobbin holder (unit) |
| 44 | 102261103 | Bobbin |

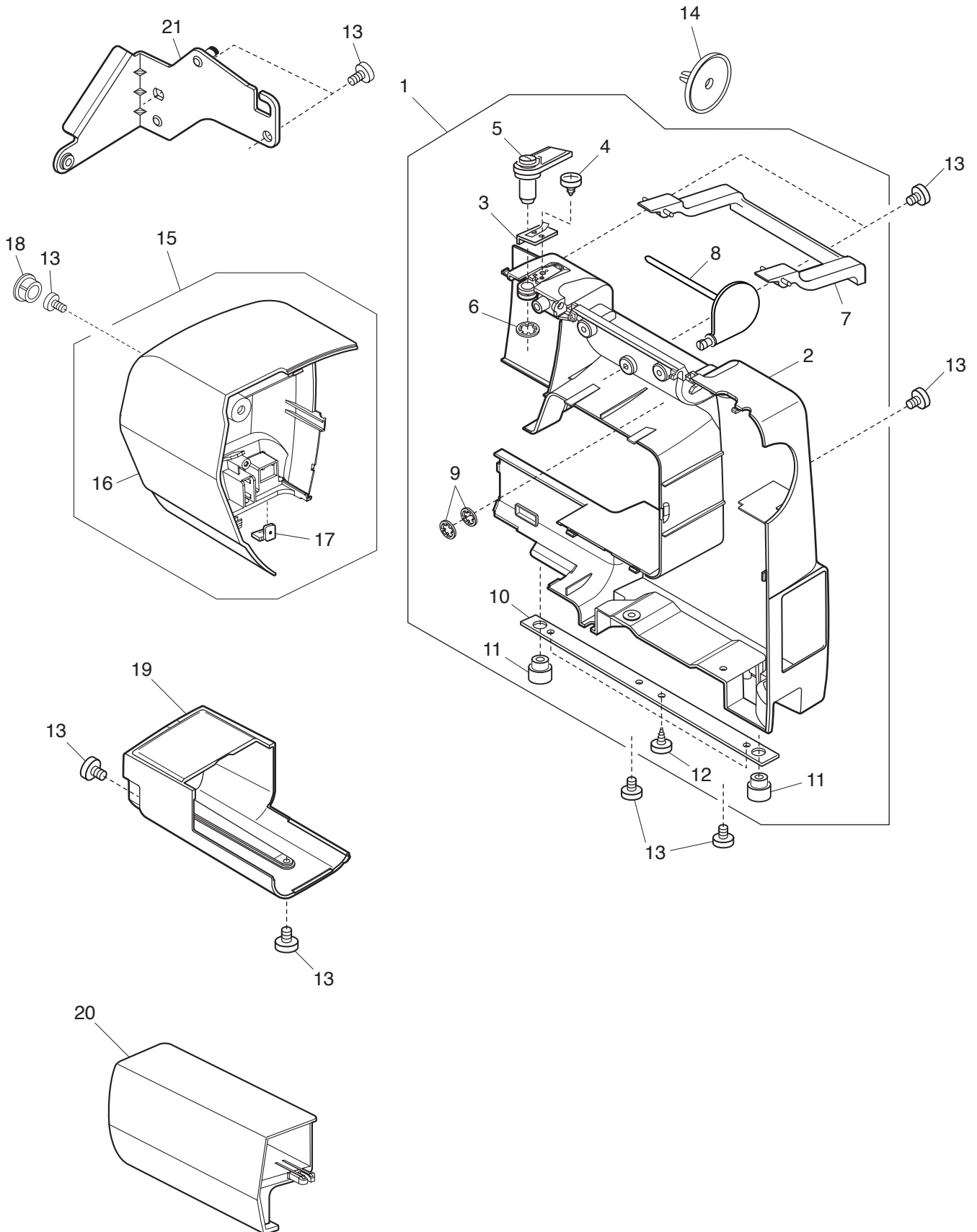
PARTS LIST



PARTS LIST

| KEY NO. | PARTS NO. | DESCRIPTION |
|------------|--------------|---------------------------------|
| 1 | 808626006 | Needle plate (unit) |
| 2 | 808067003 | Needle plate |
| 3 | 808068004 | Support needle plate |
| 4 | 000163703 | Setscrew 2x3.5 |
| 5 | 502015009 | Spring |
| 6 | 000015503 | Snap ring SC-2.4 |
| 7 | 502016000 | Hook cover plate release button |
| 8 | 502202005 | Supporter plate |
| 9 | 000130206 | Setscrew 1.7x2.5 (B) |
| 10 | 508116009 | Nut |
| 11 | 820390109 | Setscrew |
| 12 | 846271103 | Hook cover plate |
| 13 | 808614001 | Idler (unit) |
| 14 | 808038005 | Idler set plate |
| 15 | 625217100 | Idler |
| 16 | 000002806 | Snap ring E-6 |
| 17 | 000115607 | Setscrew TP 4x8 |
| 18 | 808615002 | Bobbin winder (unit) |
| 19 | 808039006 | Bobbin winder set plate |
| 20 | 508507001 | Bobbin winder arm (unit) |
| 21 | 000001609 | Snap ring E-5 |
| 22 | 508111004 | Clutch lever |
| 23 | 000120203 | Setscrew 3x8 (B) |
| 24 | 856512100 | Switch (unit) |
| 25 | 000081706 | Setscrew 2.5x5 |
| 26 | 808040000 | Spring |
| 27 | 000013903 | Snap ring CS-5 |
| 28 | 000081005 | Setscrew 4x8 |
| 29 | 808617004 | DC motor (unit) |
| 30 | 808502005 | DC motor |
| 31 | 000115700 | Setscrew TP 4x10 |
| 32 | 808657408 | Switching regulator (unit) |
| 33 | 808525602 | Switching regulator |
| 34 | 000103509 | Setscrew 4x10 |
| 35 | 808504007 | Printed circuit board P (unit) |
| 36 | 808181004 | Cord guide |
| 37 | 000188209 | Nylon clip ACC-1.5 |
| 38 | 000188405 | Nylon clip ACC-2 |

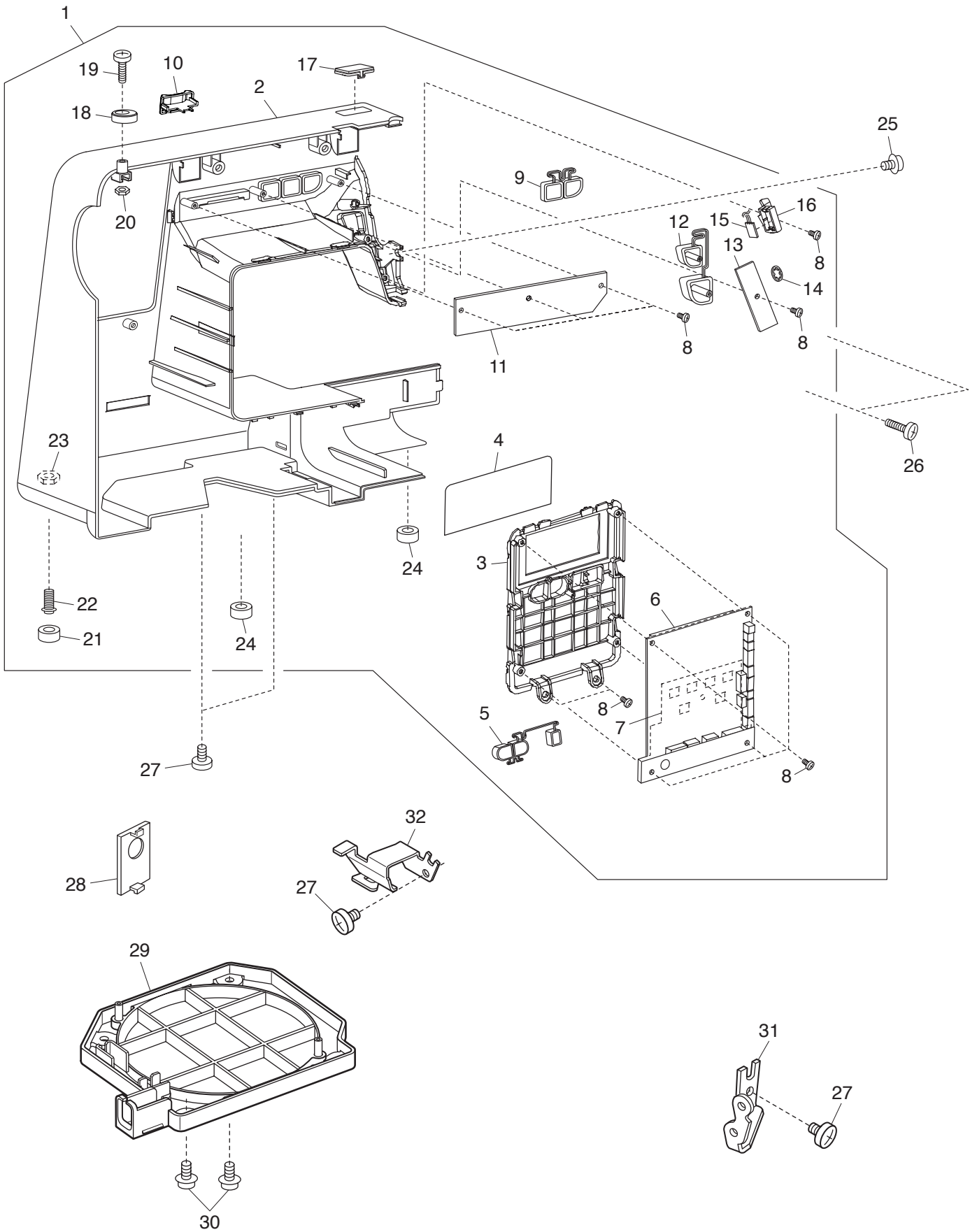
PARTS LIST



PARTS LIST

| KEY NO. | PARTS NO. | DESCRIPTION |
|------------|--------------|-------------------------------|
| 1 | 809604285 | Rear cover (unit) |
| 2 | 809025B06 | Rear cover |
| 3 | 827503108 | Top cover thread guide (unit) |
| 4 | 000162001 | Setscrew 2.6x5 (B) |
| 5 | 650503322 | Thread guide (unit) |
| 6 | 000014409 | Snap ring CS-8 |
| 7 | 809026003 | Carrying handle |
| 8 | 809027004 | Spool pin |
| 9 | 000013800 | Snap ring CS-6 |
| 10 | 809028005 | Arm leg rear |
| 11 | 735003002 | Bed rubber cushion |
| 12 | 000198604 | Setscrew 4x14 (B) |
| 13 | 000081005 | Setscrew 4x8 |
| 14 | 822020503 | Spool holder |
| 15 | 811604031 | Face plate (unit) |
| 16 | 811012A10 | Face plate |
| 17 | 840602006 | Thread cutter (unit) |
| 18 | 653006101 | Cap |
| 19 | 808061007 | Free arm cover |
| 20 | 811013004 | Extension table |
| 21 | 811001009 | Face plate set plate |

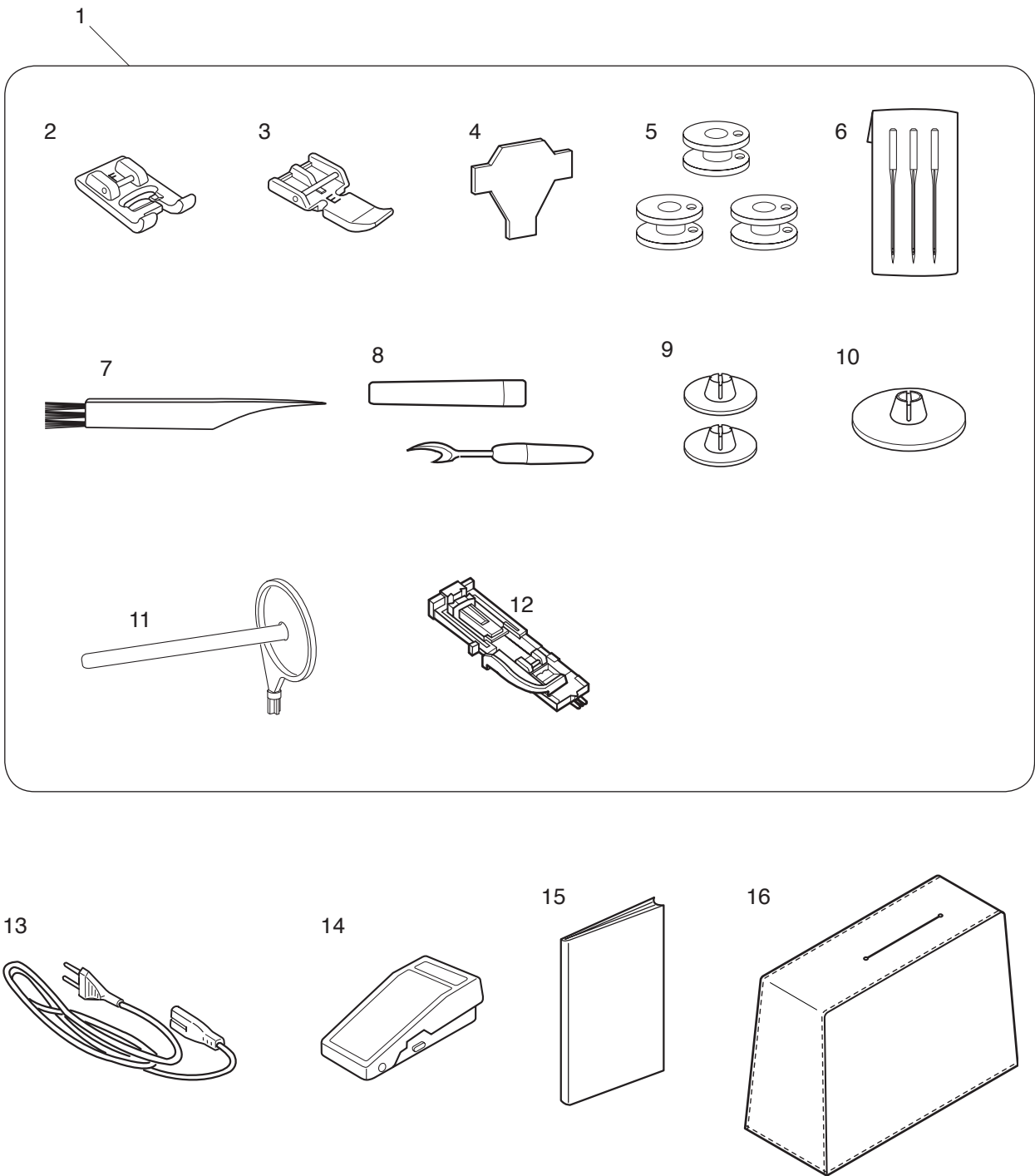
PARTS LIST



PARTS LIST

| KEY NO. | PARTS NO. | DESCRIPTION |
|------------|--------------|----------------------------------|
| 1 | 811603351 | Front cover (unit) |
| 2 | 811004A39 | Front cover |
| 3 | 811005A26 | Ornamental panel 1 |
| 4 | 811006A19 | Ornamental panel 2 |
| 5 | 811010A01 | Button 2 |
| 6 | 811401003 | Printed circuit board A (unit) |
| 7 | 811021005 | Flame retardant insulating paper |
| 8 | 000120203 | Setscrew 3x8 (B) |
| 9 | 811007A01 | Button 1 |
| 10 | 811008006 | Slide volume |
| 11 | 811503006 | Printed circuit board F2 (unit) |
| 12 | 811011A01 | Button 3 |
| 13 | 808507103 | Printed circuit board F (unit) |
| 14 | 000014306 | Snap ring CS-3 |
| 15 | 808506102 | Printed circuit board L (unit) |
| 16 | 808057000 | Lamp holder |
| 17 | 808103002 | Front cover lid |
| 18 | 735016307 | Bobbin winder stopper |
| 19 | 000101828 | Setscrew 4x16 |
| 20 | 000061205 | Nut 4-3-7 |
| 21 | 639005003 | Rubber foot |
| 22 | 000201405 | Setscrew TP 4x16 |
| 23 | 000160102 | Adjustable lock nut 4 |
| 24 | 739064003 | Bed rubber cushion |
| 25 | 000115205 | Setscrew TP 4x6 |
| 26 | 000160401 | Setscrew 4x16 (B) |
| 27 | 000081005 | Setscrew 4x8 |
| 28 | 809039009 | Cap |
| 29 | 808059301 | Bed cover |
| 30 | 000149312 | Setscrew 3x8 |
| 31 | 639080002 | Front cover set plate |
| 32 | 808016007 | Arm thread guide |

PARTS LIST



PARTS LIST

| KEY NO. | PARTS NO. | DESCRIPTION |
|------------|--------------|---------------------------------|
| 1 | 811870007 | Standard accessories |
| 2 | 822804118 | Satin foot (F) (unit) |
| 3 | 808852003 | Zipper foot (E) (unit) |
| 4 | 653802002 | Screwdriver |
| 5 | 102261103 | Bobbin |
| 6 | 639804000 | Needle set (unit) |
| 7 | 802424004 | Lint brush |
| 8 | 647808009 | Seam ripper (Buttonhole opener) |
| 9 | 822019509 | Spool holder (small) |
| 10 | 822020503 | Spool holder (large) |
| 11 | 809146000 | Spool pin |
| 12 | 753801004 | Buttonhole foot (R) (unit) |
| 13 | 830335004 | Power supply cord |
| 14 | C-1036 | Foot control |
| 15 | 811800028 | Instruction book |
| 16 | 741811000 | Cover |