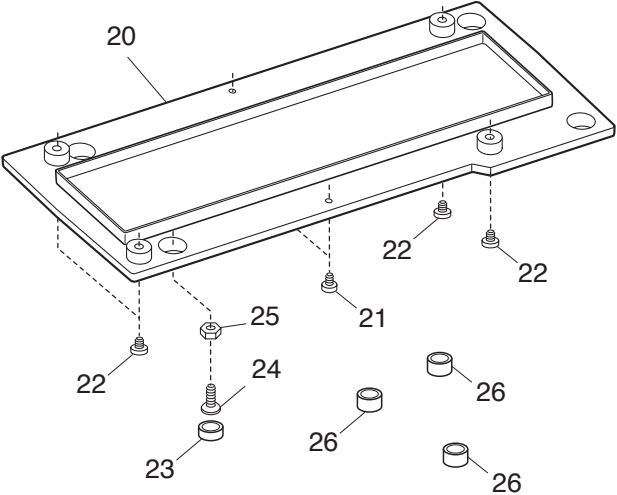
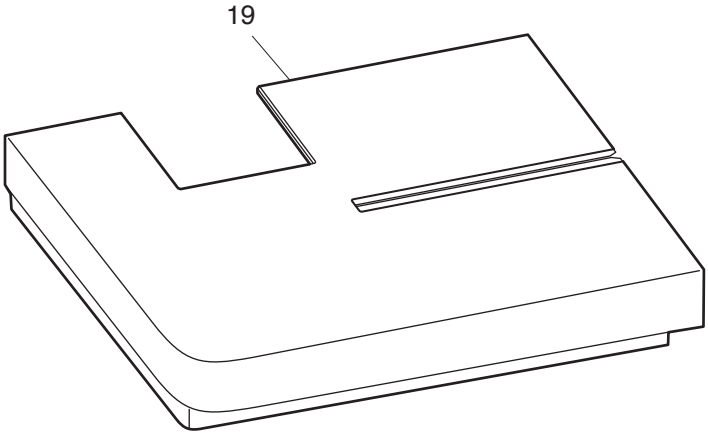
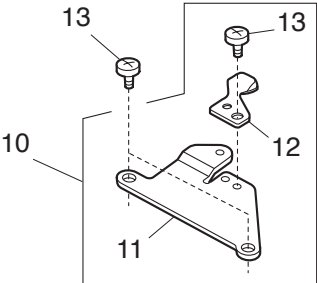
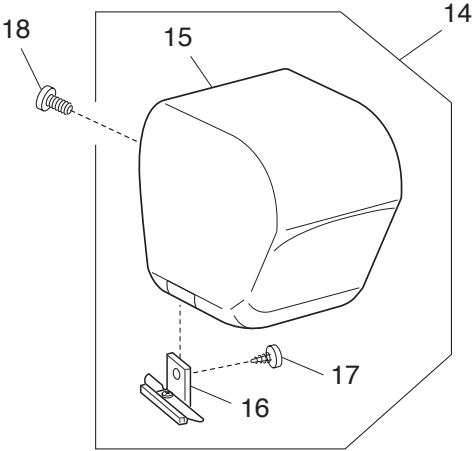
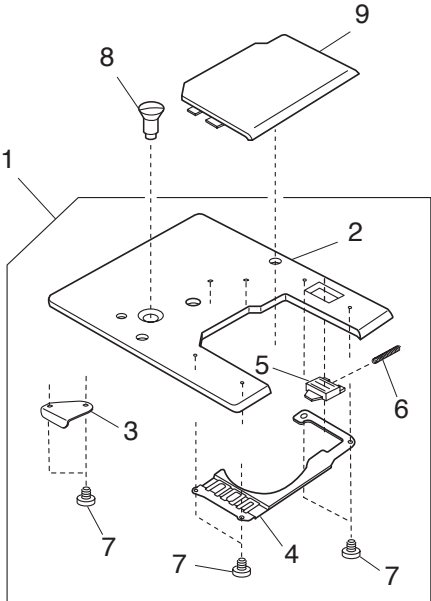


PARTS LIST

Model: MC230E

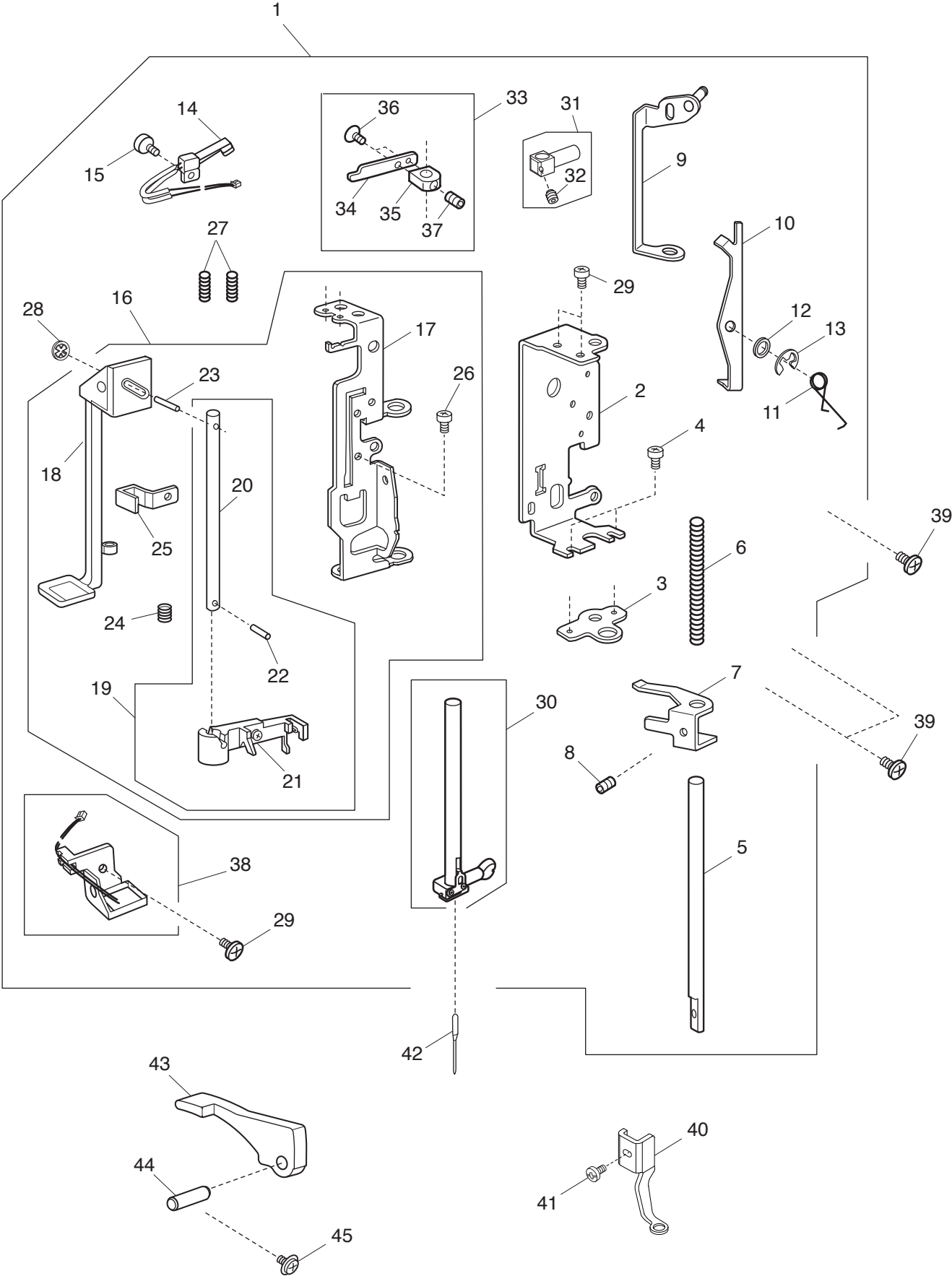
PARTS LIST



PARTS LIST

KEY NO.	PARTS NO.	DESCRIPTION
1	852603200	Needle plate (unit)
2	852005103	Needle plate
3	654078004	Rotation stopper
4	751374007	Hook cover plate supporter
5	825016000	Hook cover plate release button
6	825017001	Spring
7	000169709	Setscrew 2x2.3
8	681009101	Needle plate setscrew
9	825018035	Hook cover plate
10	856601004	Needle plate set plate (unit)
11	856004001	Needle plate set plate (left)
12	827011001	Bobbin holder stopper
13	810220106	Setscrew
14	856605709	Face cover (unit)
15	856011702	Face cover
16	832508006	Thread cutter (unit)
17	000120203	Setscrew 3x8 (B)
18	000103107	Setscrew 4x14
19	856520008	Bed cover (unit)
20	856010000	Bottom cover
21	000151904	Setscrew 3x10 (B)
22	000081005	Setscrew 4x8
23	735002001	Rubber cushion
24	000097808	Setscrew 5x25
25	000061412	Hexagonal nut 5-3-8
26	739064003	Rubber cushion

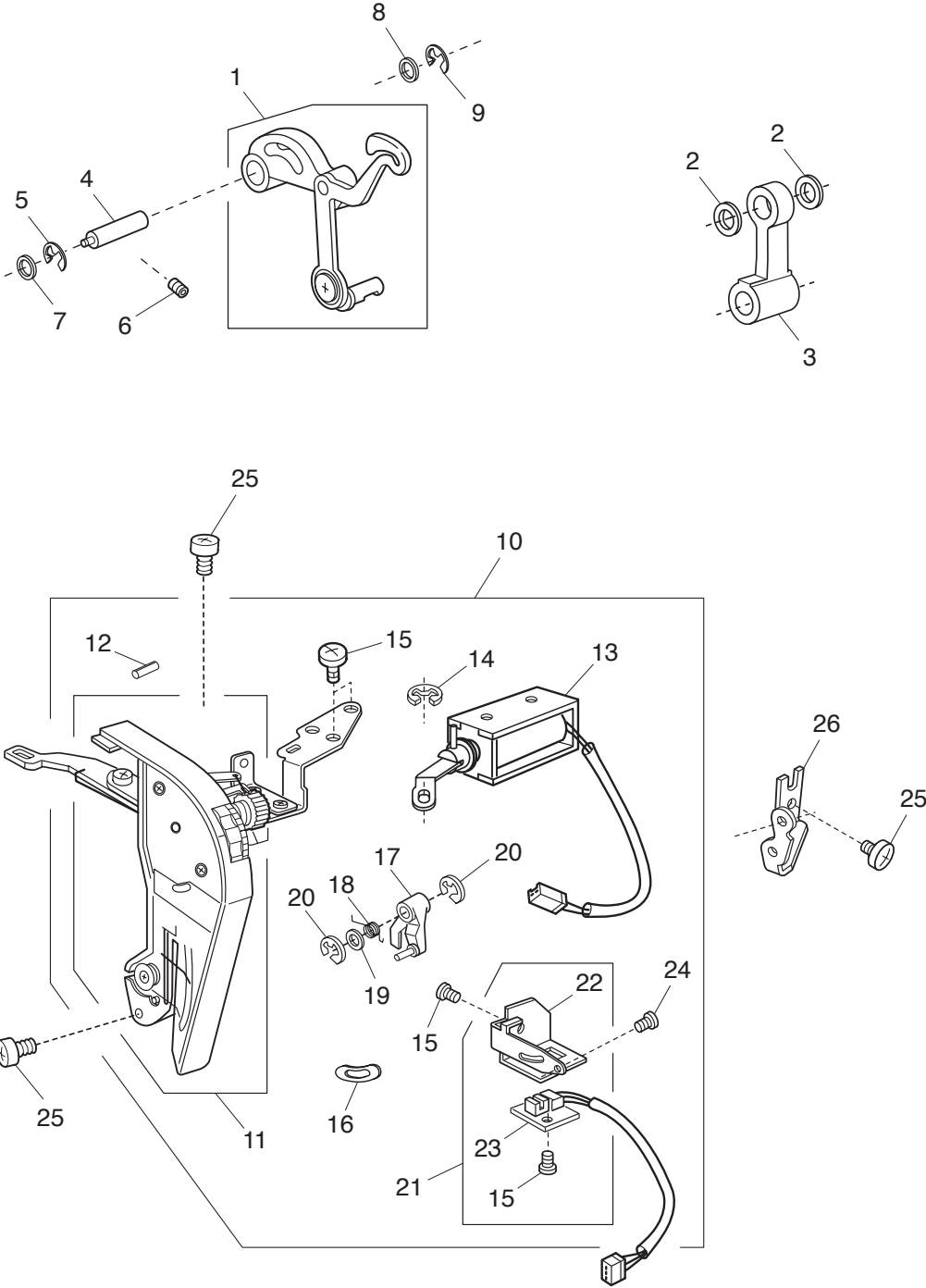
PARTS LIST



PARTS LIST

KEY NO.	PARTS NO.	DESCRIPTION
1	856606009	Presser bar base plate (unit)
2	856013003	Presser bar base plate
3	856014004	Needle drop adjusting plate
4	000101507	Setscrew 3.5x5
5	856015005	Presser bar
6	856016006	Presser bar spring
7	856017007	Presser bar supporter
8	000111500	Hexagonal socket screw 4x8
9	856018008	Presser bar guide plate
10	856019009	Tension release lever
11	856020003	Tension release lever spring
12	000255002	Washer 5
13	000002507	Snap ring E-4
14	856501003	Switch (unit)
15	000081706	Setscrew 2.5x5
16	856607000	Needle threader (unit)
17	856021004	Needle bar supporter
18	856079007	Threader lever
19	661617106	Threader shaft (unit)
20	660100304	Threader shaft
21	857604011	Threader plate (unit)
22	000003508	Spring pin 2x8
23	000125105	Pin E 2x16-CH
24	661027000	Threader shaft spring
25	661026009	Threader lever plate
26	000101105	Setscrew 3x4
27	661018008	Threader spring
28	000014100	Snap ring CS-2
29	000101404	Setscrew 4x6
30	830609703	Needle bar (unit)
31	507521008	Needle bar connecting stud (unit)
32	000111201	Hexagonal socket screw 4x4
33	856608001	Threader positioning setting plate (unit)
34	856022005	Threader positioning setting plate
35	734102009	Needle threader setting base
36	000097602	Setscrew 2x4
37	000111902	Hexagonal socket screw 3x4
38	856626005	Printed circuit board L (unit)
39	000081005	Setscrew 4x8
40	856115006	Presser foot
41	000103004	Setscrew 3.5x6
42	813404013	Needle
43	856012002	Presser bar lifter
44	822072005	Presser bar lifter pin
45	000115629	Setscrew TP 4x8

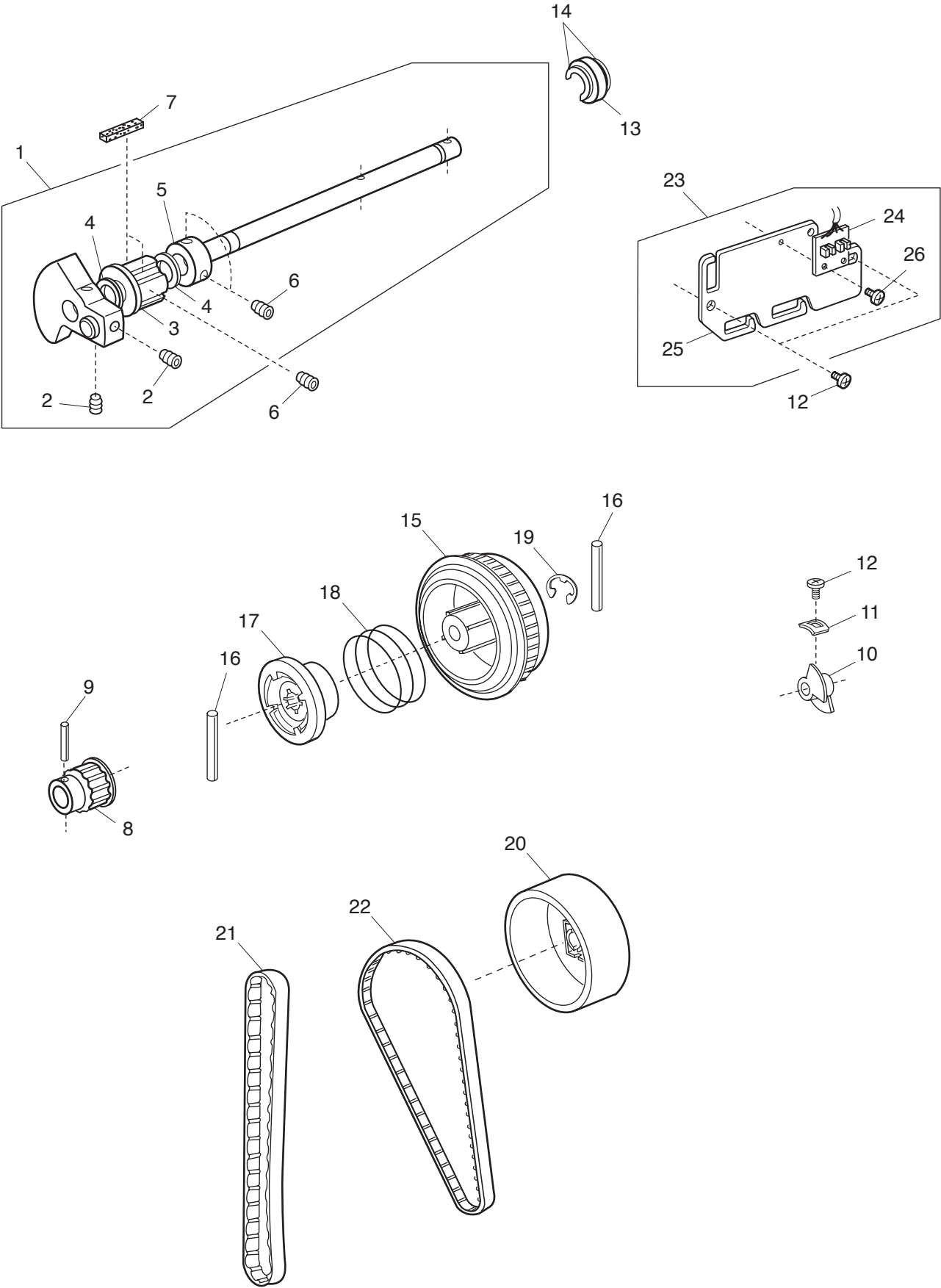
PARTS LIST



PARTS LIST

KEY NO.	PARTS NO.	DESCRIPTION
1	660631103	Thread take-up lever (unit)
2	000036902	Washer FT80
3	639016007	Needle bar crank rod
4	660058007	Thread take-up lever pin
5	000002806	Snap ring E-6
6	000111201	Hexagonal socket screw 4x4
7	000037800	Washer FT40
8	660061003	Washer
9	000002105	Snap ring E-3
10	856609105	Thread tension (unit)
11	856502107	Thread tension (unit)
12	000024505	Spring pin 1.6x18 (K)
13	856610006	Solenoid (unit)
14	000002105	Snap ring E-3
15	000101105	Setscrew 3x4
16	853037004	Cushion
17	830660001	Thread break detection lever (unit)
18	834193000	Detection lever spring
19	000071013	Washer 4
20	000001207	Snap ring E-2.5
21	852607101	Sensor base plate (unit)
22	852012000	Sensor set plate
23	852502806	Printed circuit board G1 (unit)
24	000161103	Setscrew 3x6 (B)
25	000081005	Setscrew 4x8
26	639080002	Front cover set plate

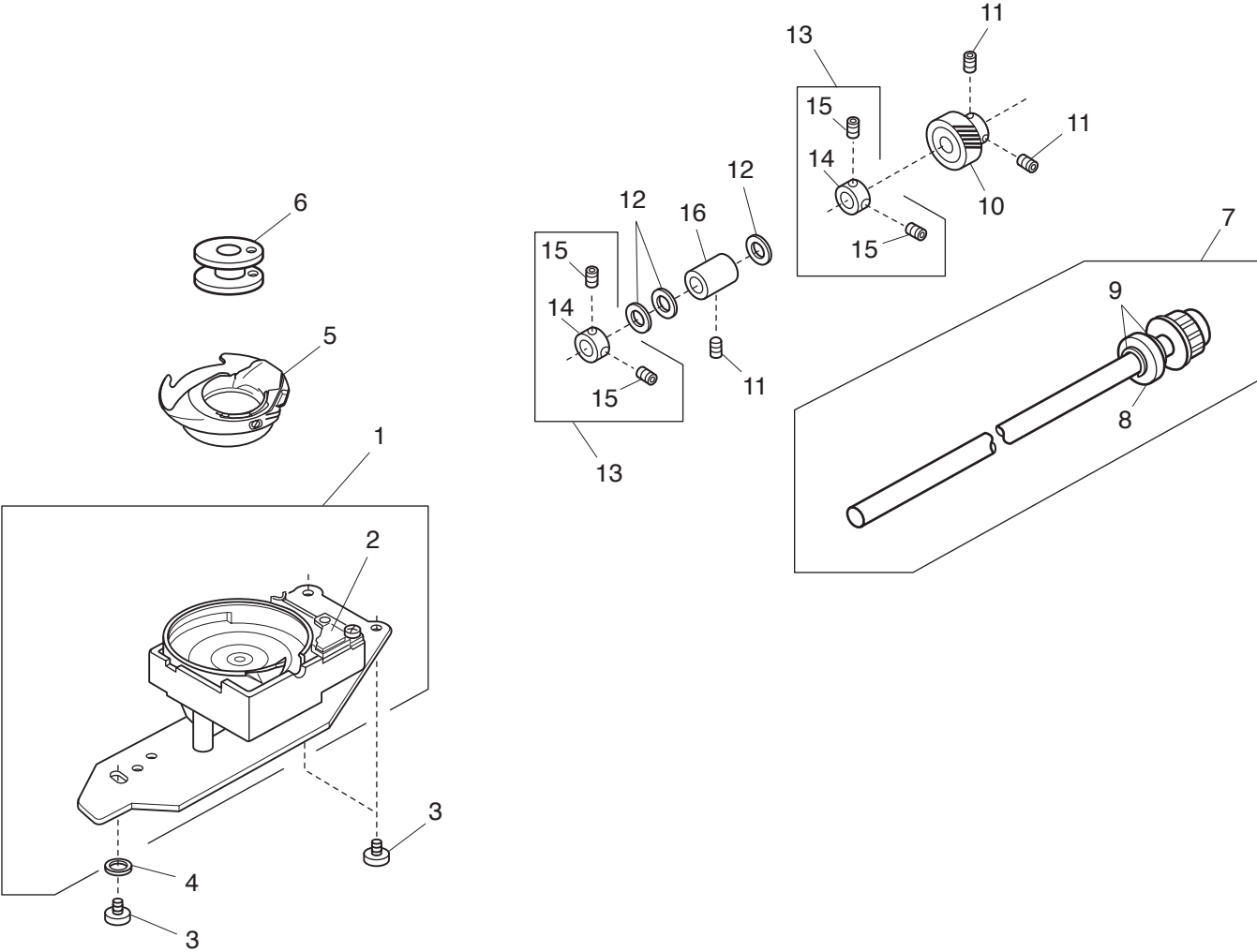
PARTS LIST



PARTS LIST

KEY NO.	PARTS NO.	DESCRIPTION
1	856611007	Upper shaft (unit)
2	000110901	Hexagonal socket screw 5x4
3	829042007	Upper shaft front bushing
4	000036717	Washer FT102
5	639095000	Ring
6	000111304	Hexagonal socket screw 5x5
7	731384008	Felt
8	660103008	Upper shaft timing gear
9	000020501	Spring pin 3x22
10	806010005	Upper shaft shield plate
11	820102009	Washer
12	000081005	Setscrew 4x8
13	000208505	Ball bearing 6800ZZ
14	000032609	Snap ring 5103-37
15	303025009	Belt wheel
16	000024206	Spring pin 3x30
17	502064003	Clutch ring
18	661024007	Clutch spring
19	000030205	Snap ring E-8
20	502068007	Handwheel
21	650071016	Timing belt
22	653139023	Timing belt
23	856625004	Upper shaft sensor (unit)
24	843505801	Printed circuit board P (unit)
25	856072000	Upper shaft sensor base plate
26	000101105	Setscrew 3x4

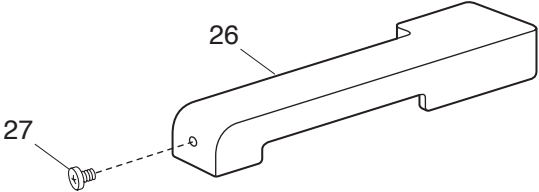
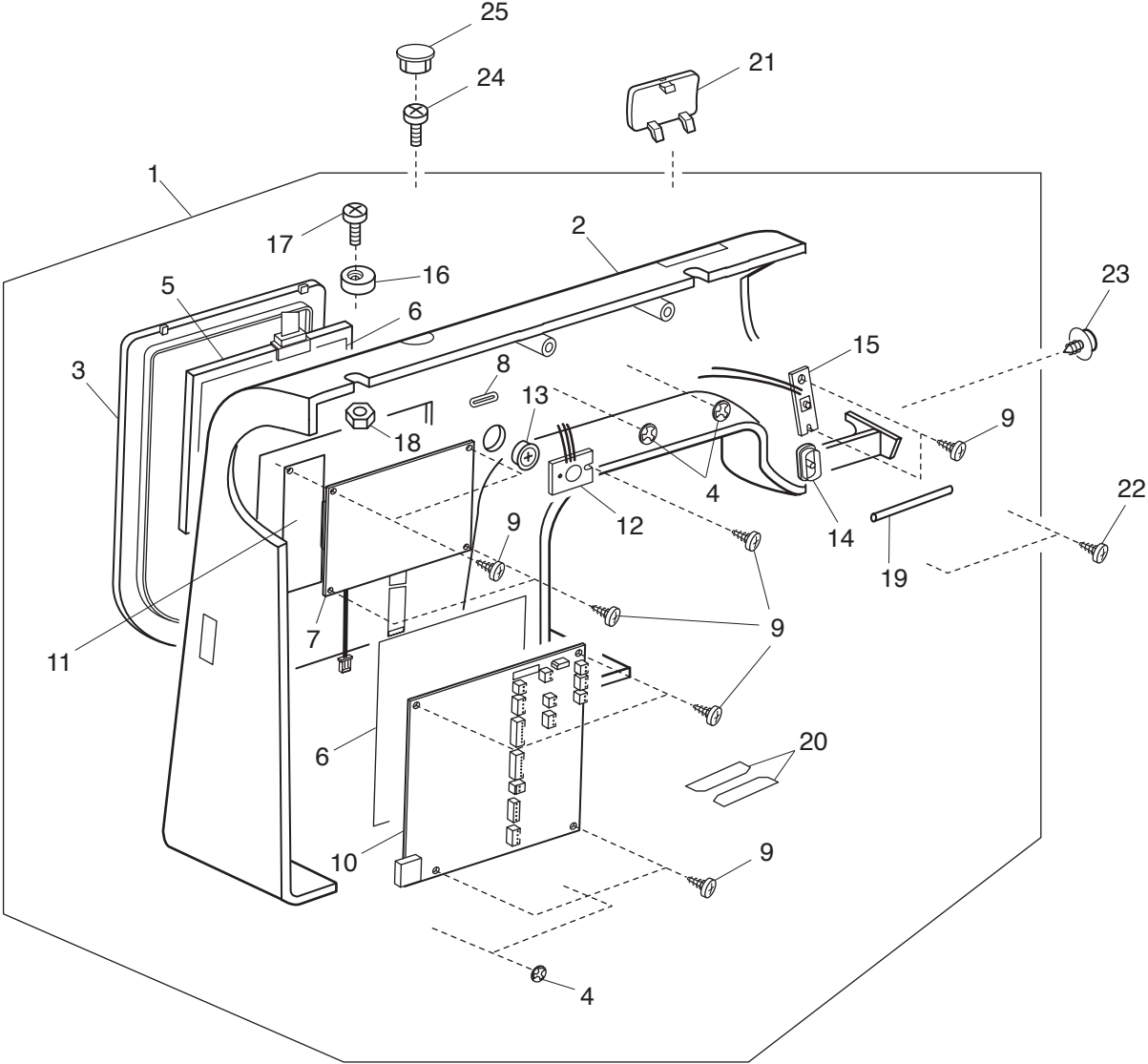
PARTS LIST



PARTS LIST

KEY NO.	PARTS NO.	DESCRIPTION
1	856613009	Hook race (unit)
2	627567001	Bobbin holder stopper (unit)
3	000081005	Setscrew 4x8
4	000070506	Washer 4
5	627569405	Bobbin holder (unit)
6	102261103	Bobbin
7	856612008	Lower shaft (unit)
8	000219808	Ball bearing 698ZZ
9	000032403	Snap ring 5103-31
10	650076000	Lower shaft gear
11	000111304	Hexagonal socket screw 5x5
12	000038502	Washer 8x0.5
13	820672005	Lower shaft ring (unit)
14	820166001	Lower shaft ring
15	000111201	Hexagonal socket screw 4x4
16	650078002	Lower shaft bushing (front)

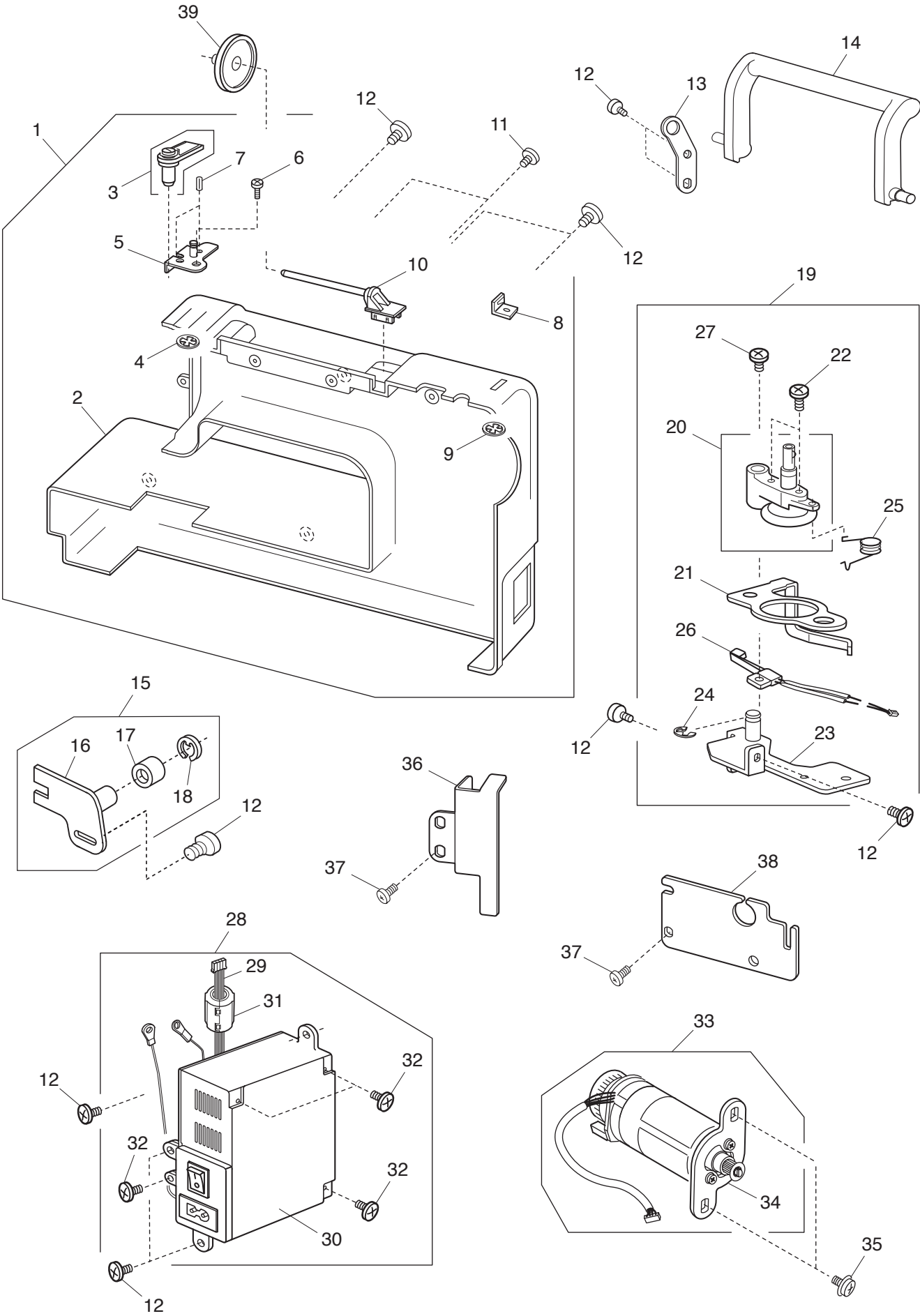
PARTS LIST



PARTS LIST

KEY NO.	PARTS NO.	DESCRIPTION
1	856614011	Front cover (unit)
2	856032A01	Front cover
3	856033032	Touch panel frame
4	000014306	Snap ring CS-3
5	856503108	Touch panel (unit)
6	856123007	Touch panel sheet
7	856525003	LCD (unit)
8	856526004	Core
9	000120203	Setscrew 3x8 (B)
10	856528213	Printed circuit board A (unit)
11	856124008	EMI sheet
12	856506019	Printed circuit board Z (unit)
13	770397016	LCD brightness adjusting knob
14	856035104	Start/stop button
15	856507009	Printed circuit board F (unit)
16	735016307	Bobbin winder stopper
17	000103107	Setscrew 4x14
18	000061205	Hexagonal nut 4-3-7
19	639075004	Thread guide
20	856036002	Sheet 2
21	856037003	Front cover lid
22	000160607	Setscrew 3x16 (B)
23	000115205	Setscrew TP 4x6
24	000101806	Setscrew 4x16
25	653006101	Cap
26	856065206	Carriage cover
27	000103808	Setscrew 3x5

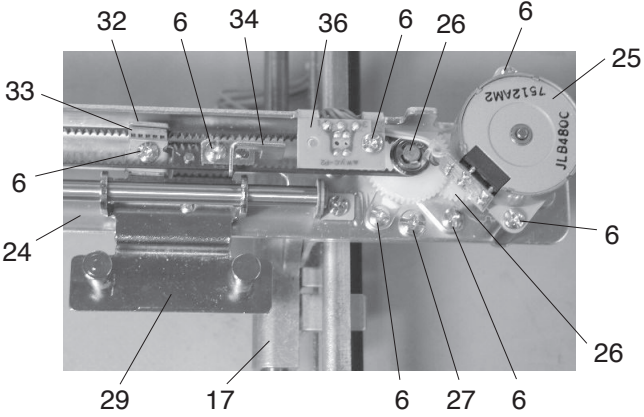
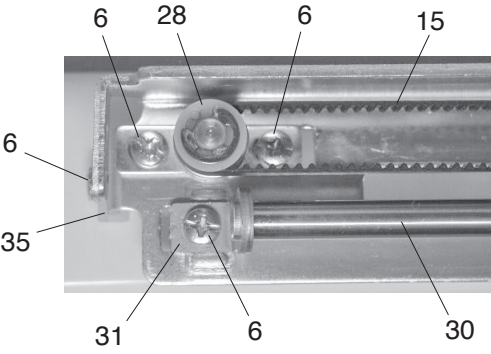
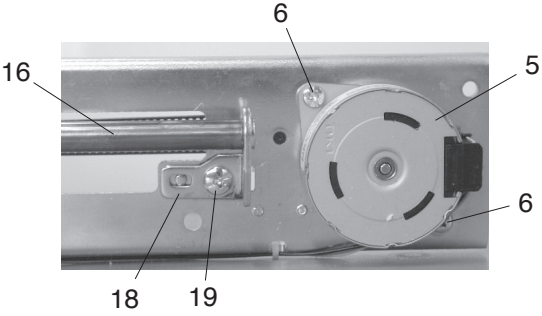
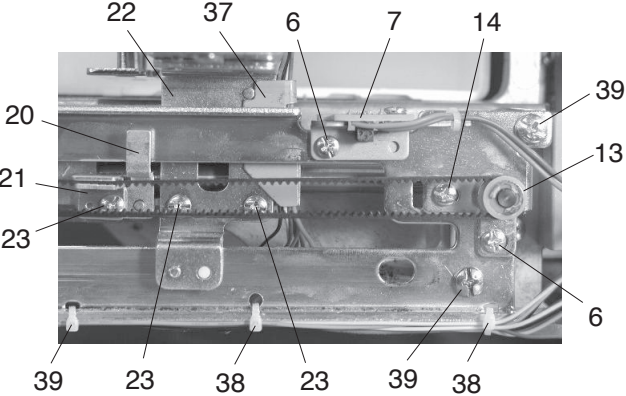
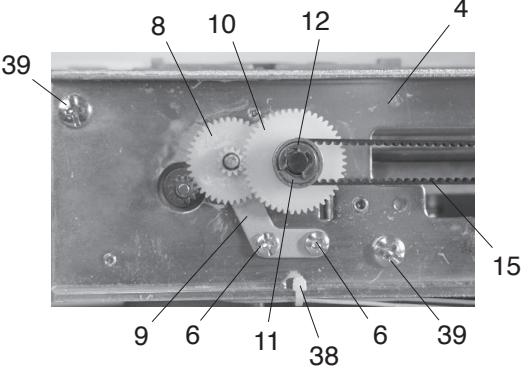
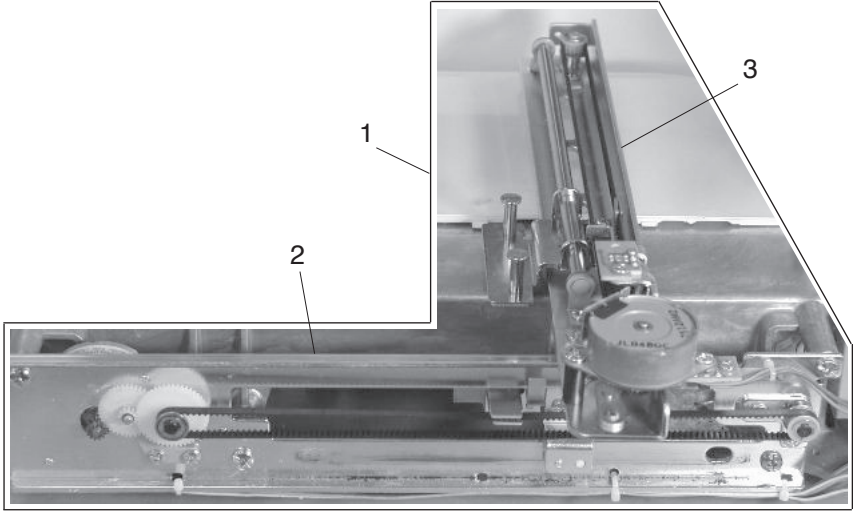
PARTS LIST



PARTS LIST

KEY NO.	PARTS NO.	DESCRIPTION
1	856602809	Rear cover (unit)
2	856005909	Rear cover
3	856603006	Thread guide (unit)
4	000014409	Snap ring CS-8
5	834122101	Top cover thread guide
6	000162001	Setscrew 2.6x5
7	000020109	Spring pin 2x8
8	840602109	Thread cutter (unit)
9	000014306	Snap ring CS-3
10	856007004	Spool pin
11	000170507	Setscrew 4x12
12	000081005	Setscrew 4x8
13	856002009	Handle base plate
14	856003000	Handle
15	660609009	Idler (unit)
16	660018005	Idler base
17	625217100	Idler
18	000002806	Snap ring E-6
19	856622001	Bobbin winder (unit)
20	856517002	Bobbin winder (unit)
21	856068003	Clutch release plate
22	000120203	Setscrew 3x8
23	856069004	Bobbin winder base plate
24	000001609	Snap ring E-5
25	505071002	Bobbin winder spring
26	856512007	Switch (unit)
27	000081706	Setscrew 2.5x5
28	856624209	Switching power supply (unit)
29	856515000	Harness (unit)
30	856071009	Switching power supply case
31	856522000	Ferrite core
32	000161309	Setscrew 3x12 (B)
33	856627006	DC motor (unit)
34	856074002	DC motor bracket
35	000115504	Setscrew TP 5x10
36	856075003	Cord guide 1
37	000101404	Setscrew 4x6
38	856076004	Cord guide 2
39	822020503	Spool holder (large)

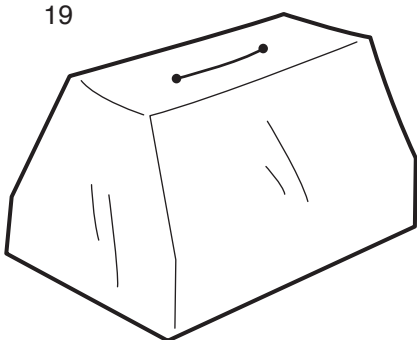
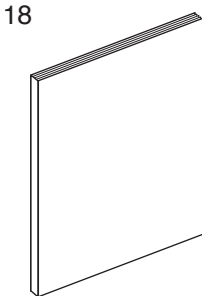
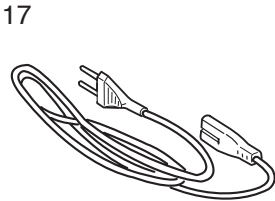
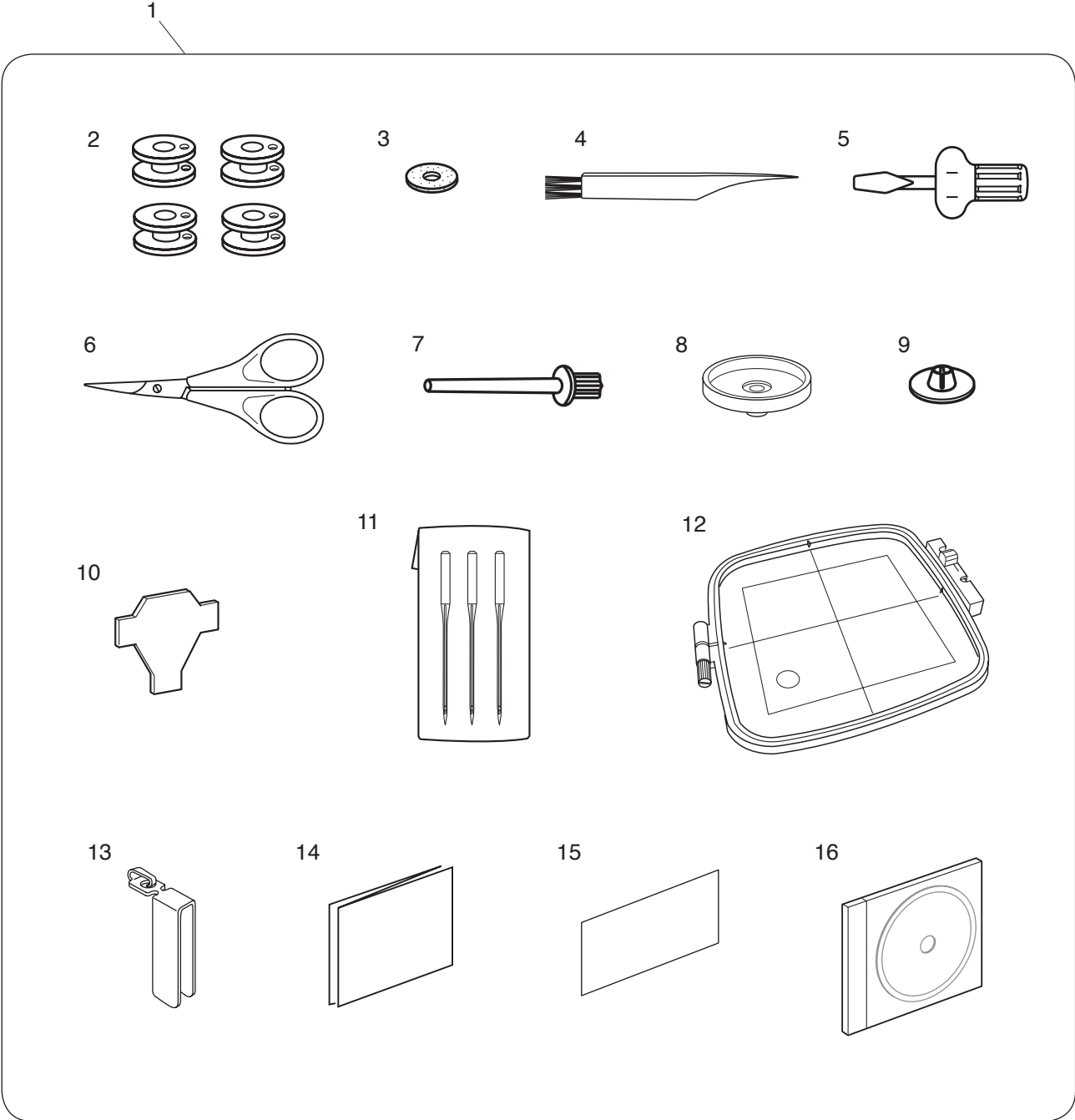
PARTS LIST



PARTS LIST

KEY NO.	PARTS NO.	DESCRIPTION
1	856615207	Carriage (unit)
2	856616002	X-carriage (unit)
3	856619005	Y-carriage (unit)
4	856038004	Carriage base
5	856508000	Stepping motor (unit)
6	000103808	Setscrew 3x5
7	856617003	X-sensor (unit)
8	856040009	Gear
9	856041000	Gear set plate
10	856042001	Gear
11	000071116	Washer 5
12	000002507	Snap ring E-4
13	856618004	X-pulley (unit)
14	000101105	Setscrew 3x4
15	856044003	Timing belt S2M468
16	856061006	X-shaft
17	856059001	X-carriage guide
18	856062007	X-shaft set plate
19	000103705	Setscrew 4x5
20	856063008	X-belt set plate 1
21	856064009	X-belt set plate 2
22	856058000	Y-carriage base
23	000066705	Setscrew 3x8
24	856045004	Y-carriage
25	856510005	Stepping motor (unit)
26	856040009	Gear
27	856620009	Drive gear (unit)
28	856621000	Y-pulley (unit)
29	856050002	Carriage plate
30	856051003	Y-shaft
31	856052004	Y-shaft set plate
32	856054006	Y-belt set plate 1
33	856055007	Y-belt set plate 2
34	856056008	Y-shielding plate
35	856057009	Y-carriage base
36	843503418	Printed circuit board E2 (unit)
37	856060005	Cord cover
38	000053008	Cord binder
39	000081005	Setscrew 4x8

PARTS LIST



PARTS LIST

KEY NO.	PARTS NO.	DESCRIPTION
1	856870800	Accessory (unit)
2	102261103	Bobbin
3	102403109	Felt
4	802424004	Lint brush
5	820832005	Screwdriver
6	803813007	Scissors
7	625031500	Spool pin
8	829803004	Spool holder base
9	822019509	Spool holder (small)
10	653802002	Screwdriver
11	852802108	Needle set (unit)
12	856801006	Embroidery hoop (unit)
13	860406309	Thread guide
14	856803008	Template sheet (unit)
15	856804009	Caution card
16	856805000	Instructional CD video
17	830335004	Power supply cord (unit)
18	856800452	Instruction book
19	856802007	Dust cover